

# Wall&Pole Mount

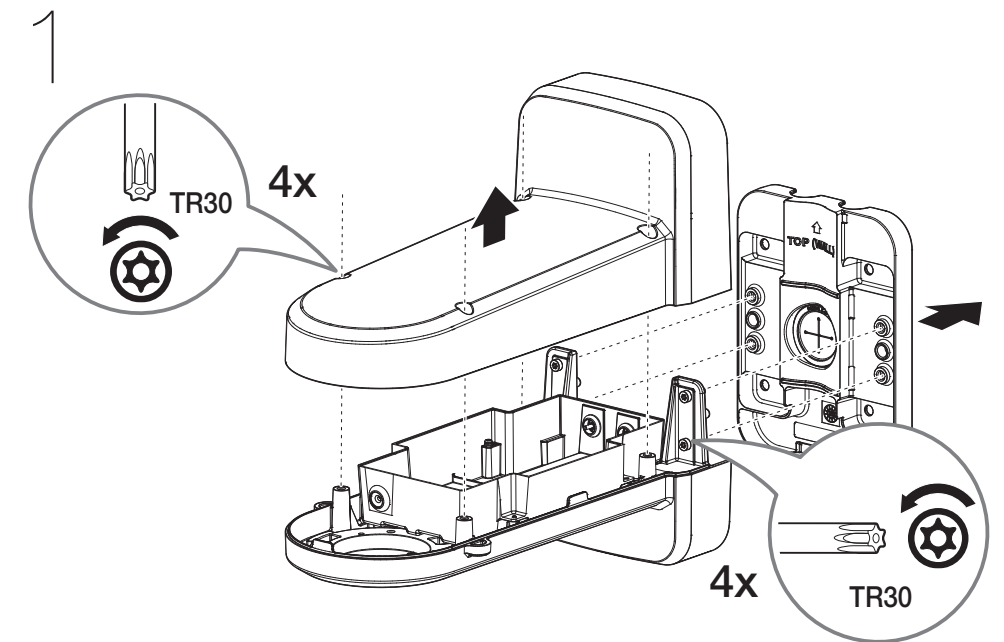
SBP-400WMW



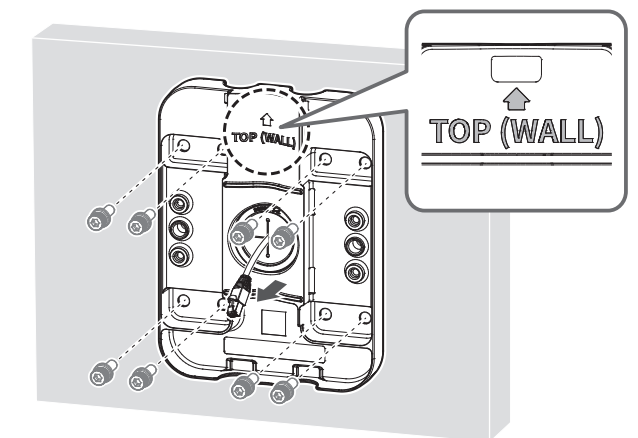
## Installation Precautions

- Make sure that the installation place can endure at least 4 times of the total weight of the Wall&Pole Mount and Camera.
- Each anchor screw must be capable of withstanding an extraction force of 700 kg.
- When using PoE injector at internal space, we do not recommend to use booted mold type RJ45 connector for cabling.
- During installation procedure, safety wire can be used between the site and side hook on the mount to sustain.

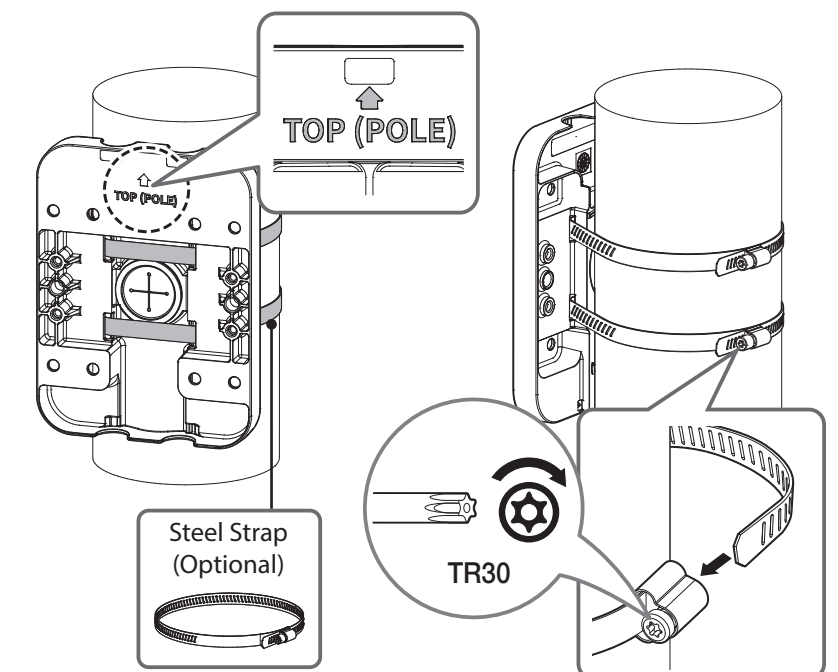
## Installation



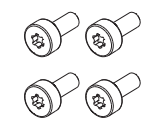
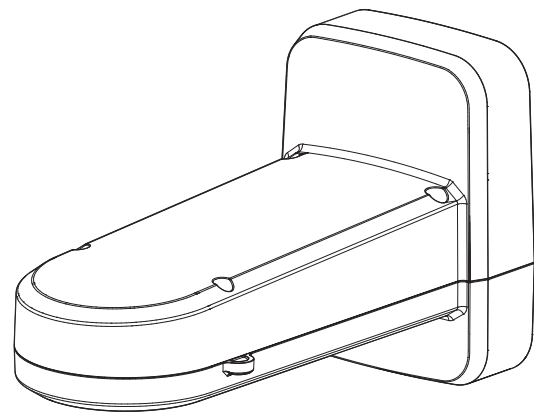
2 (Wall)



(Pole)

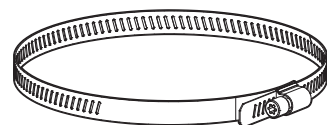


## Package



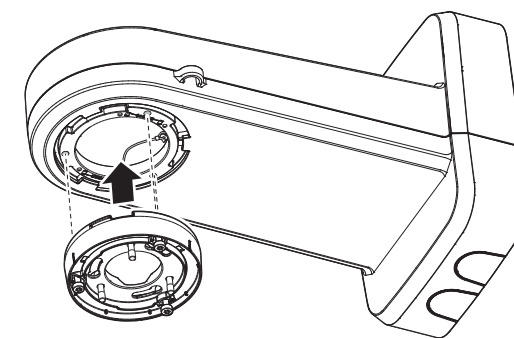
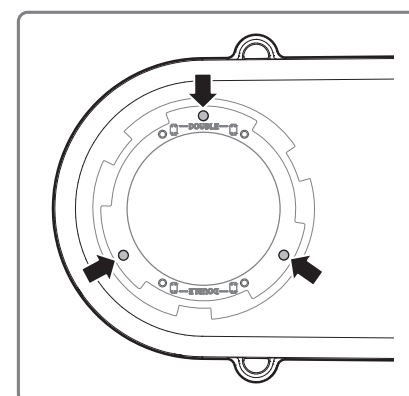
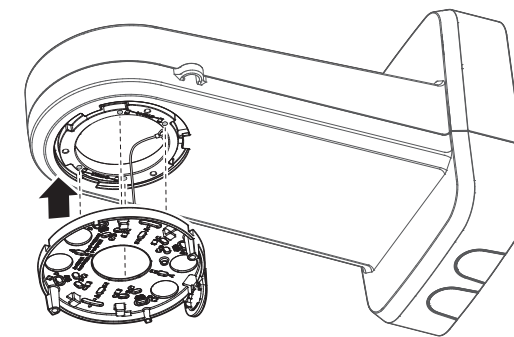
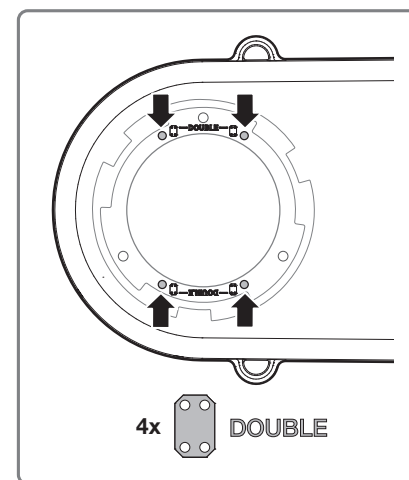
Screws (4EA)

## Optional Accessory

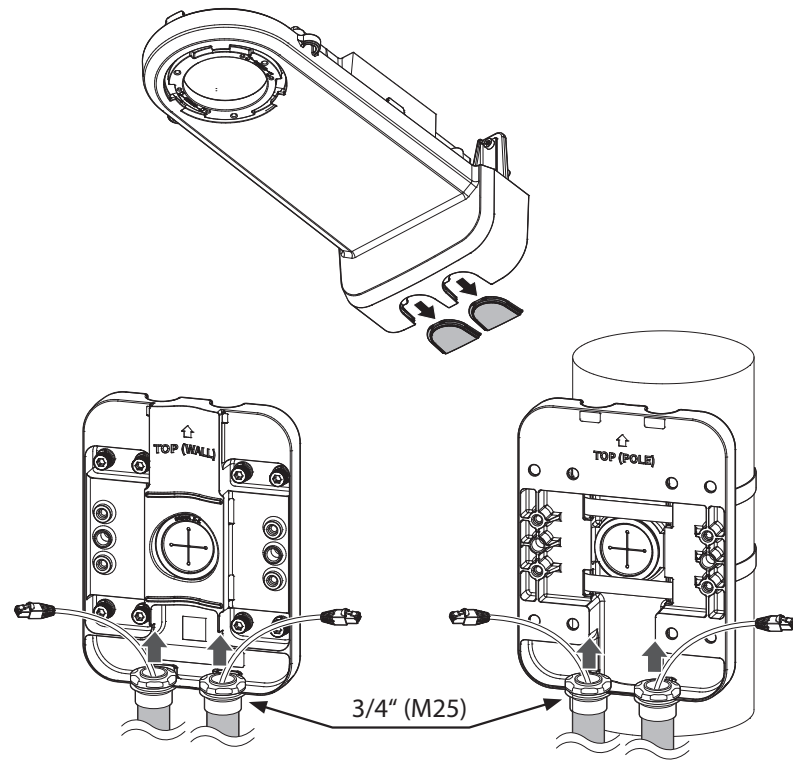


Steel Strap:  
SBP-060S (600mm)  
SBP-150S (1500mm)

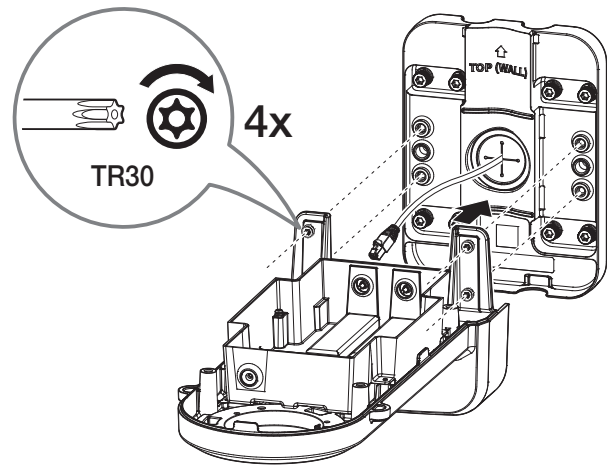
## Mounting Hole Guide



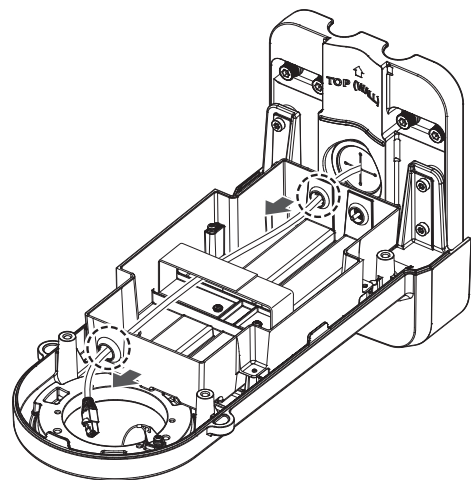
## When using conduit (3/4")



3

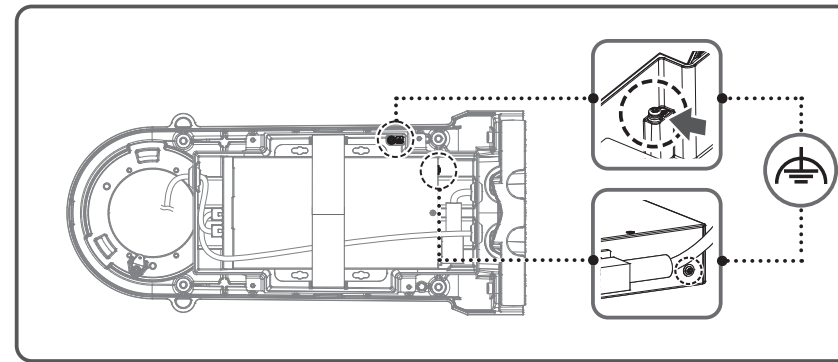
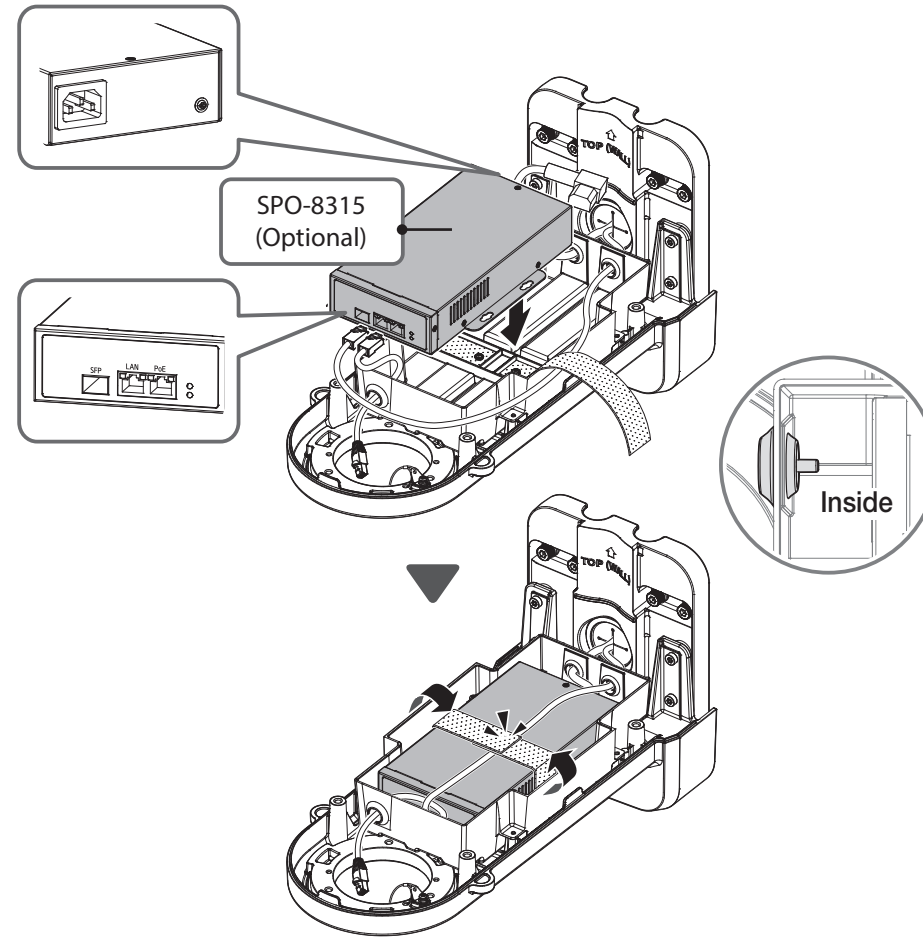


4

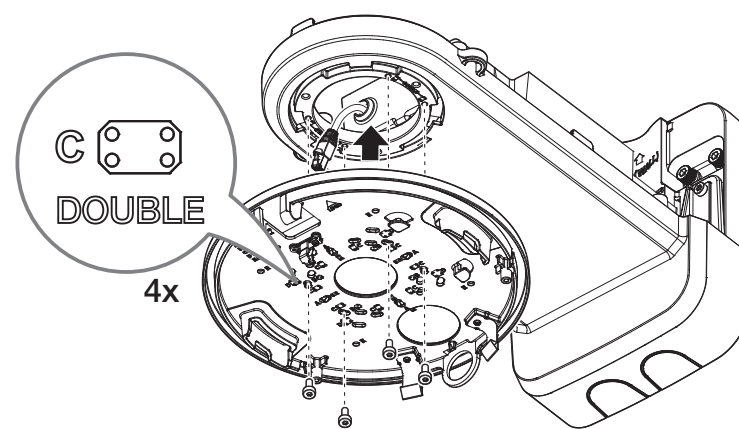


## When using PoE Injector

- \* The SPO-6011 injector installation is the same as in SPO-8315 except for the ground connection.
- \* We do not recommend to connect SFP cabling when using SPO-8315 and SPO-6011.



5



6

