

# Back Box

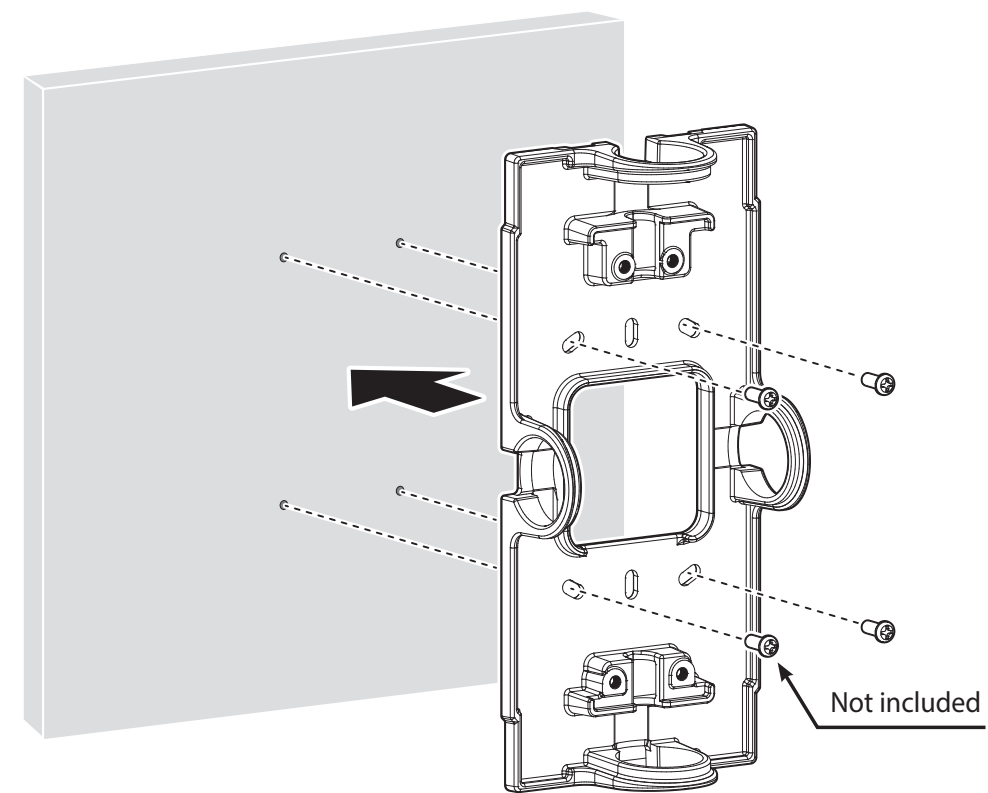
SBS-165B



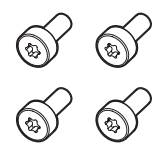
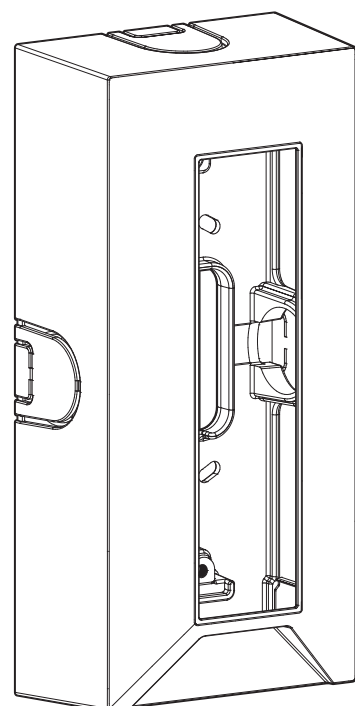
## Installation Precautions

- Make sure that the installation place can endure at least 4 times of the total weight of the installation structure.
- Use the provided screws to install the Back Box and Intercom.
- When installing the product outdoors, use interlocking devices made of stainless steel.

2



## Package

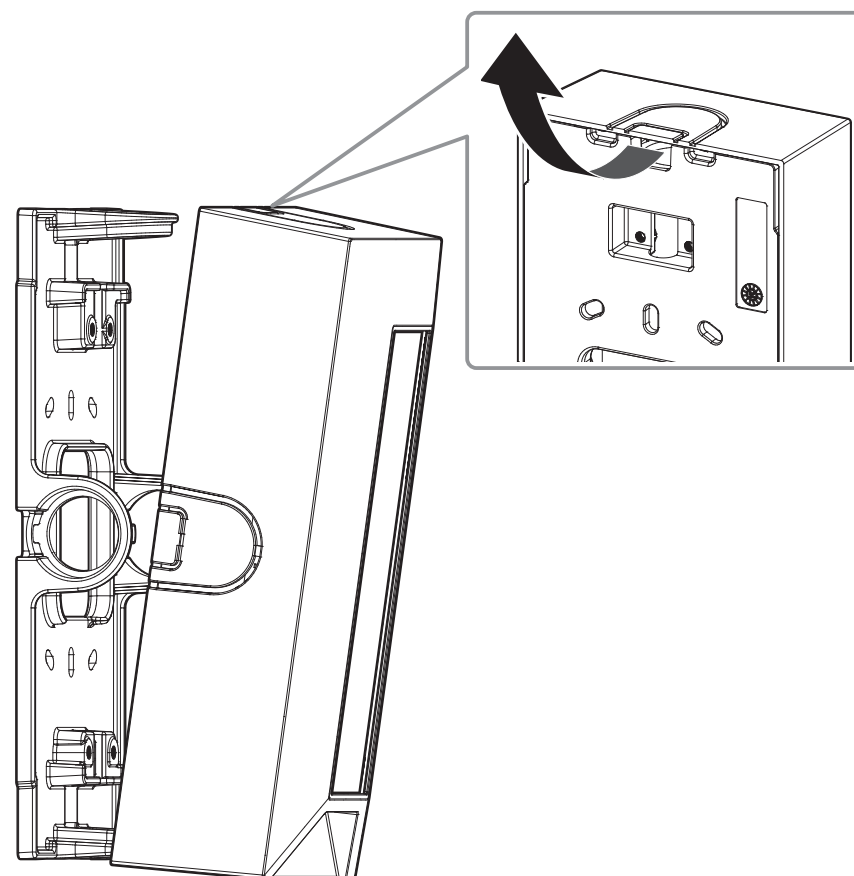


Screws (4EA)

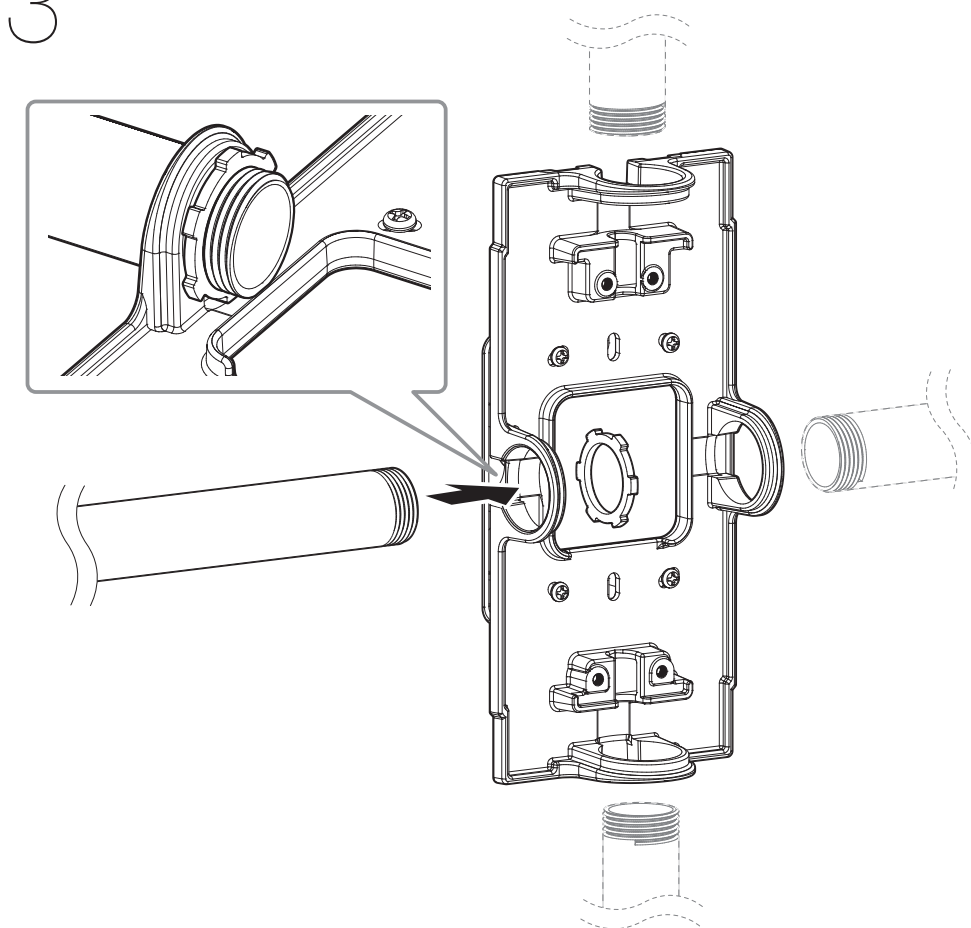
PT01-006173A

## Installation

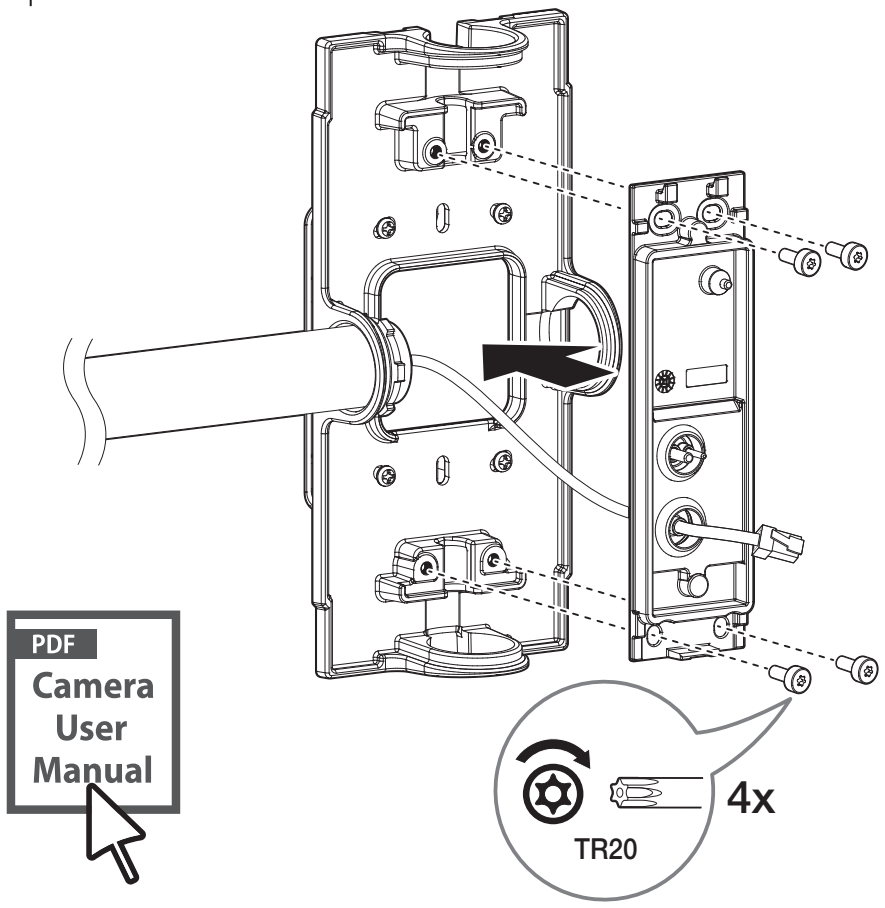
1



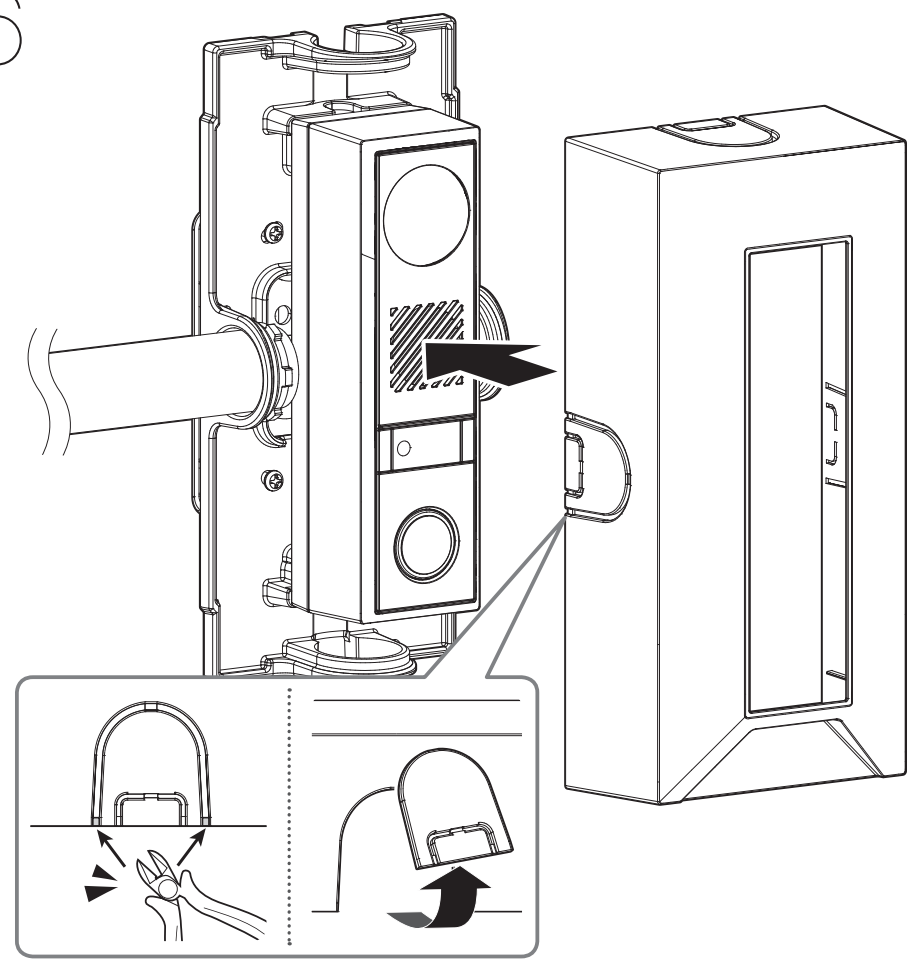
3



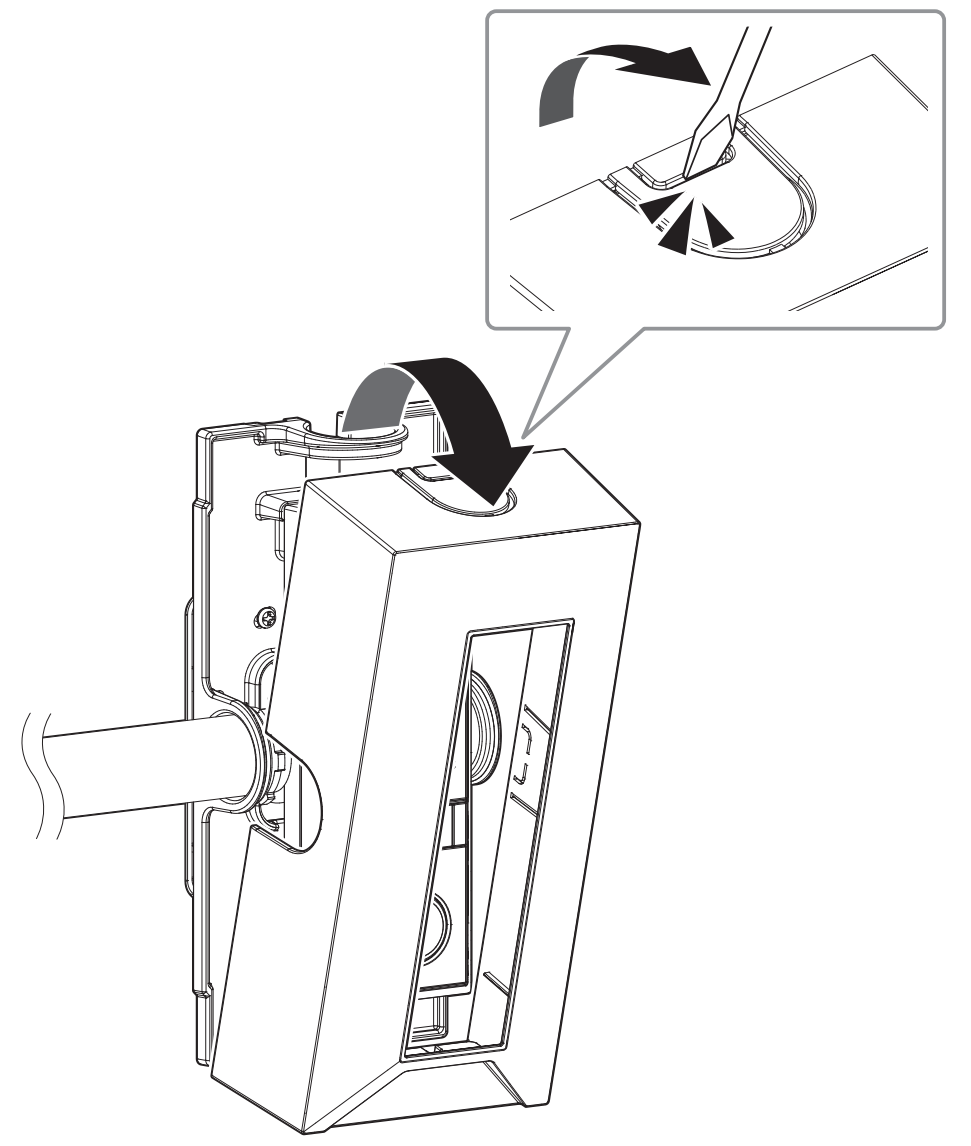
4



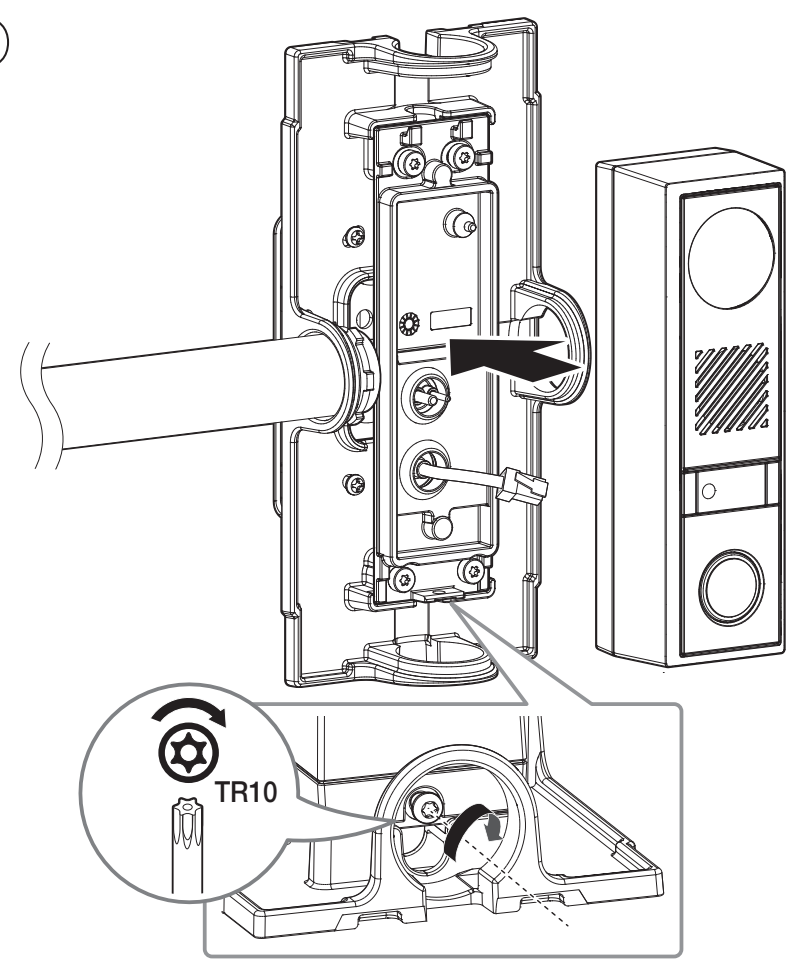
6



When disassembling the cover



5



7

