

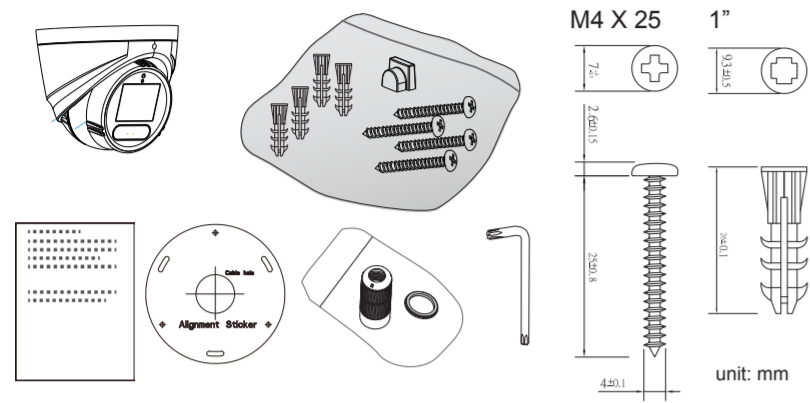
Package Contents / Packungsinhalt kontrollieren / Inhoud van de verpakking

検査包装内容物 / 検査包装内容 / パッケージ内容の確認

Vérifier le contenu de l'emballage / Verifi que o conteúdo da embalagem / Compruebe el contenido del embalaje

Sprawdź zawartość pakietu / Проверка комплекта поставки / Obsah balení

Verifi care il contenuto della confezione / Ambalajın İçindekileri Kontrol Edin / Paketinnehäll / Kassens indhold / Isi Kemasan مكونات الحزمة



Hardware Installation / Hardwareinstallation / Hardware installeren

硬體架設 / 硬件安装 / ハードウェア・インストール

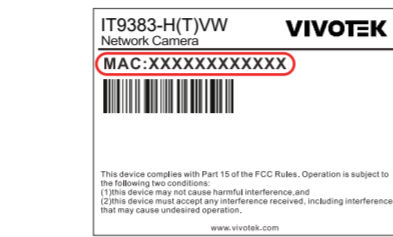
Installation du matériel / Instalacao de Hardware / Instalación del hardware

Instalacja sprzętu / Монтаж оборудования / Instalace hardwaru

Installazione hardware / Donanım Montajı / Installation av hårdvara

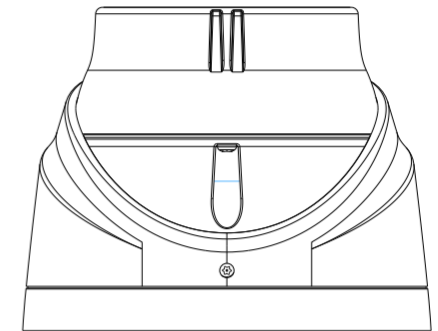
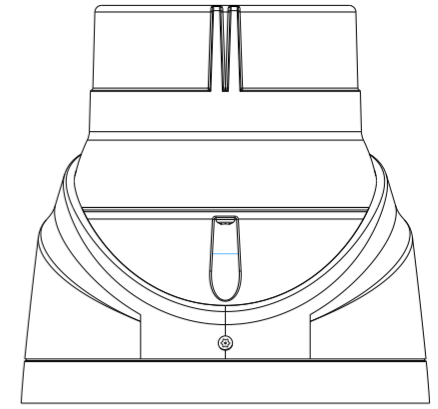
Installation af hardware / Pemasangan Perangkat Keras تركيب الأجهزة

1

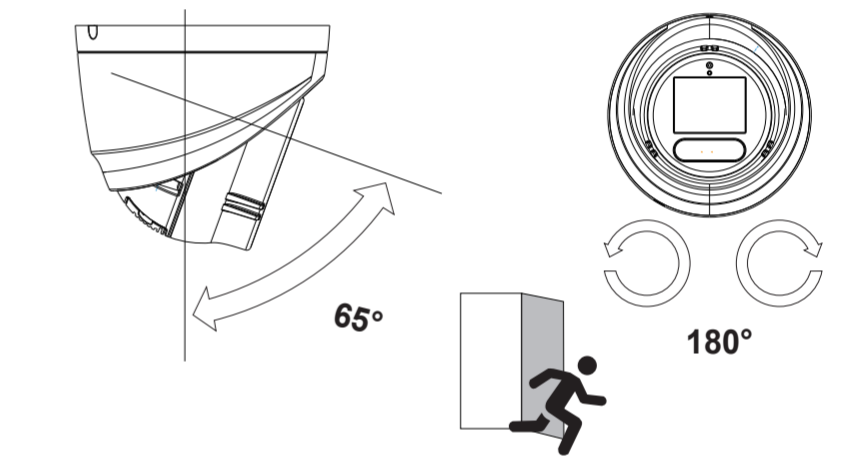
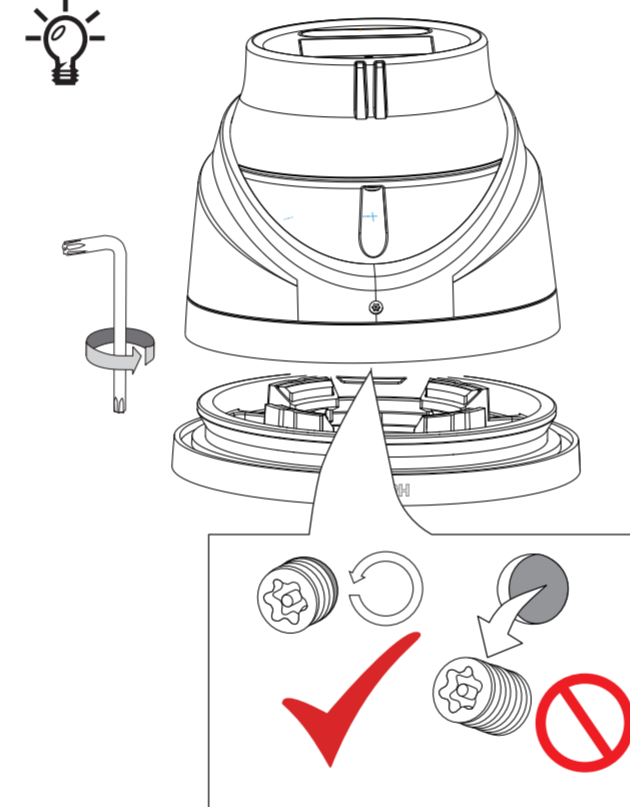
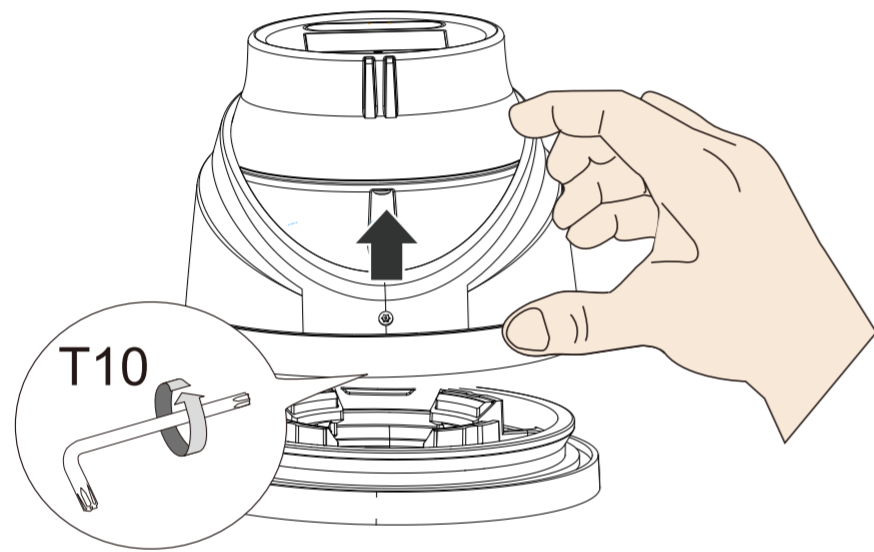


NOTE:

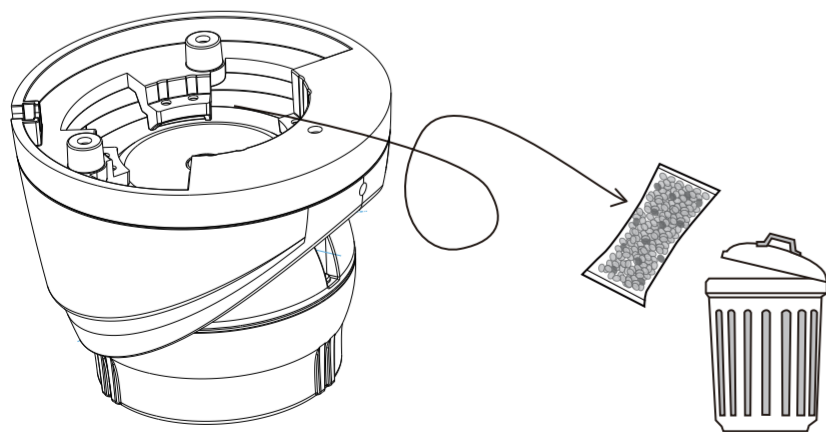
1. The camera is only to be connected to PoE networks without routing to outside plants.
2. For PoE connection, use only UL listed I.T.E. with PoE output.
3. If powered by a power adapter, the adapter should be properly grounded.



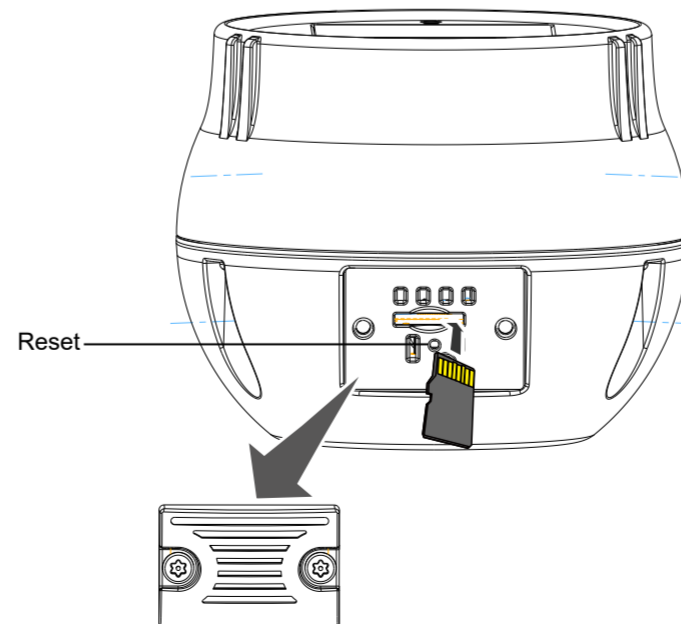
2



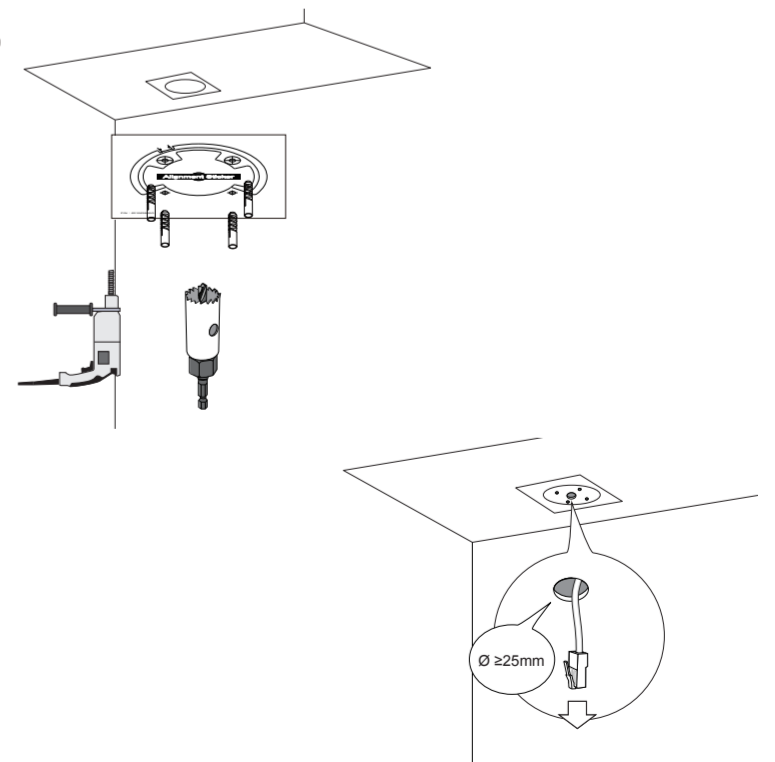
3

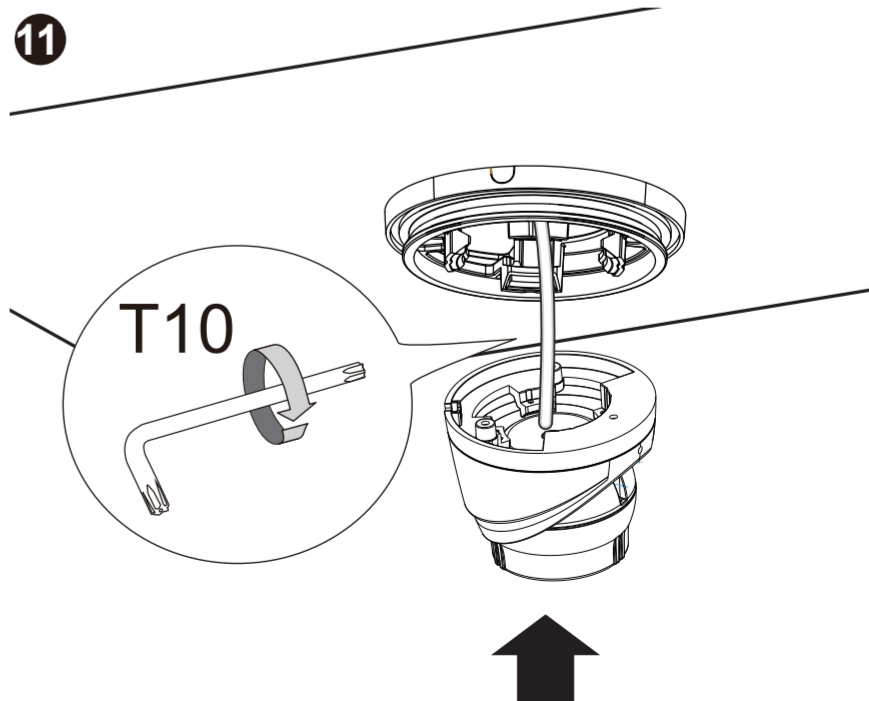
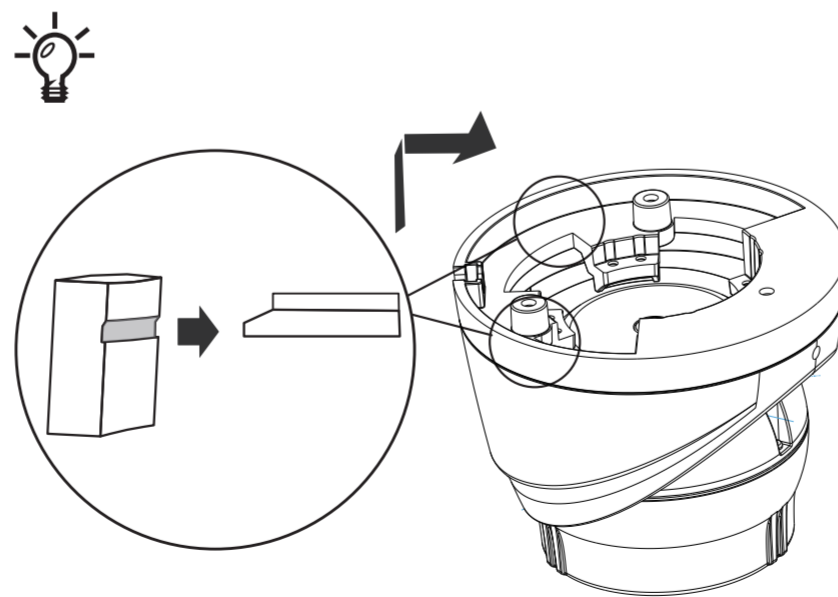
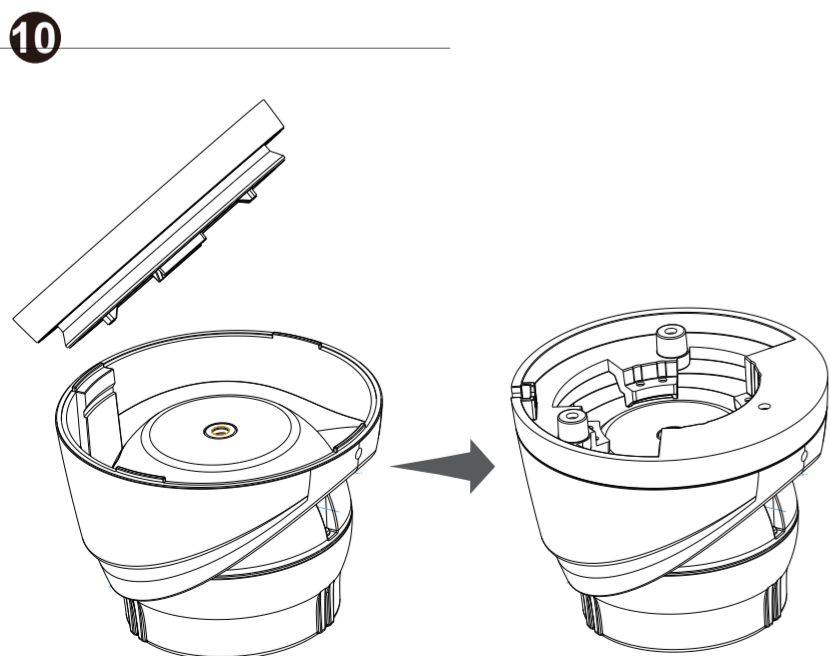
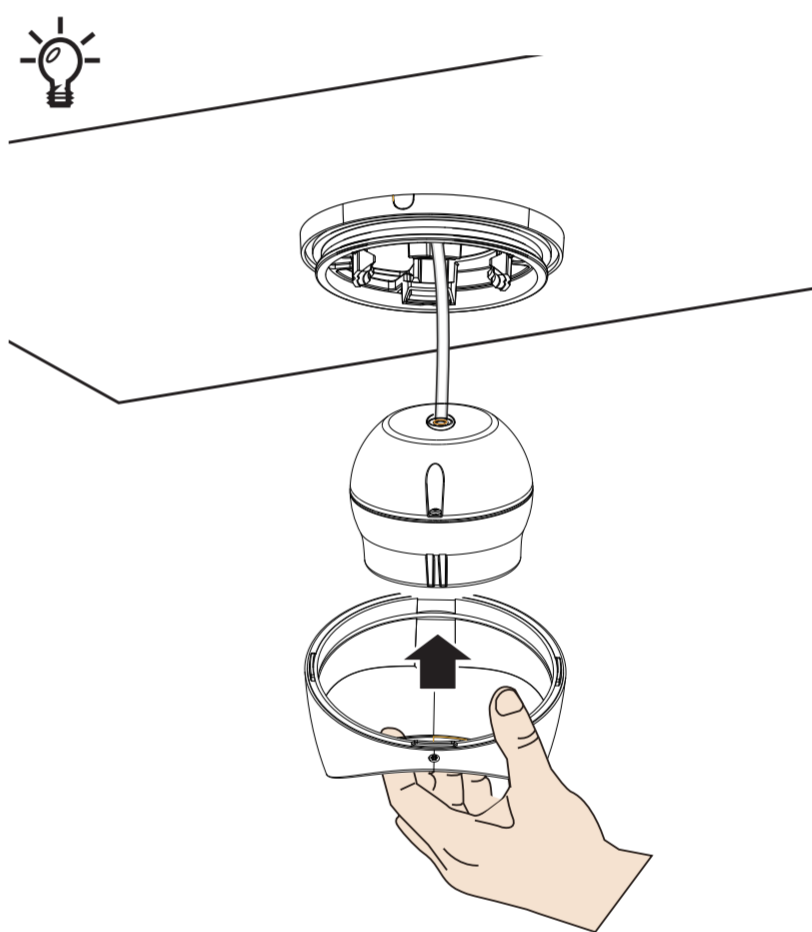
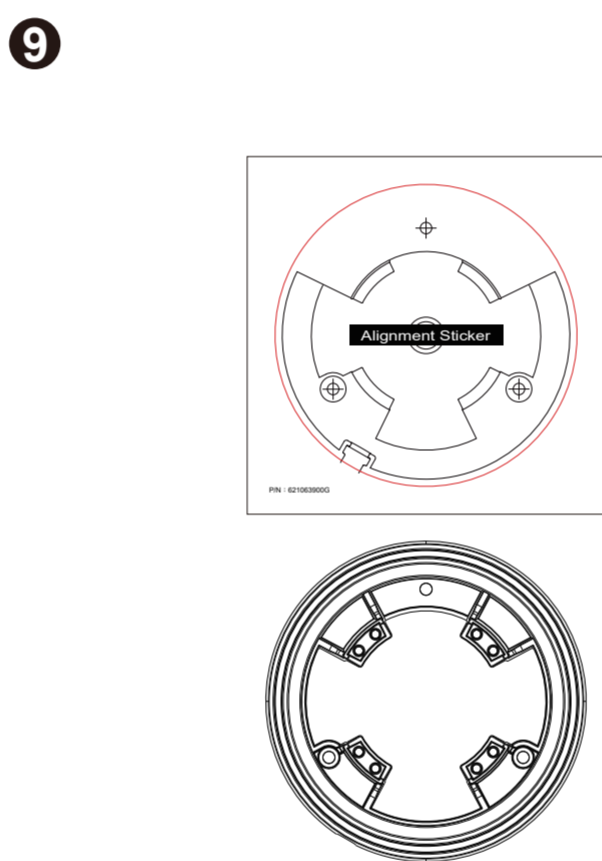
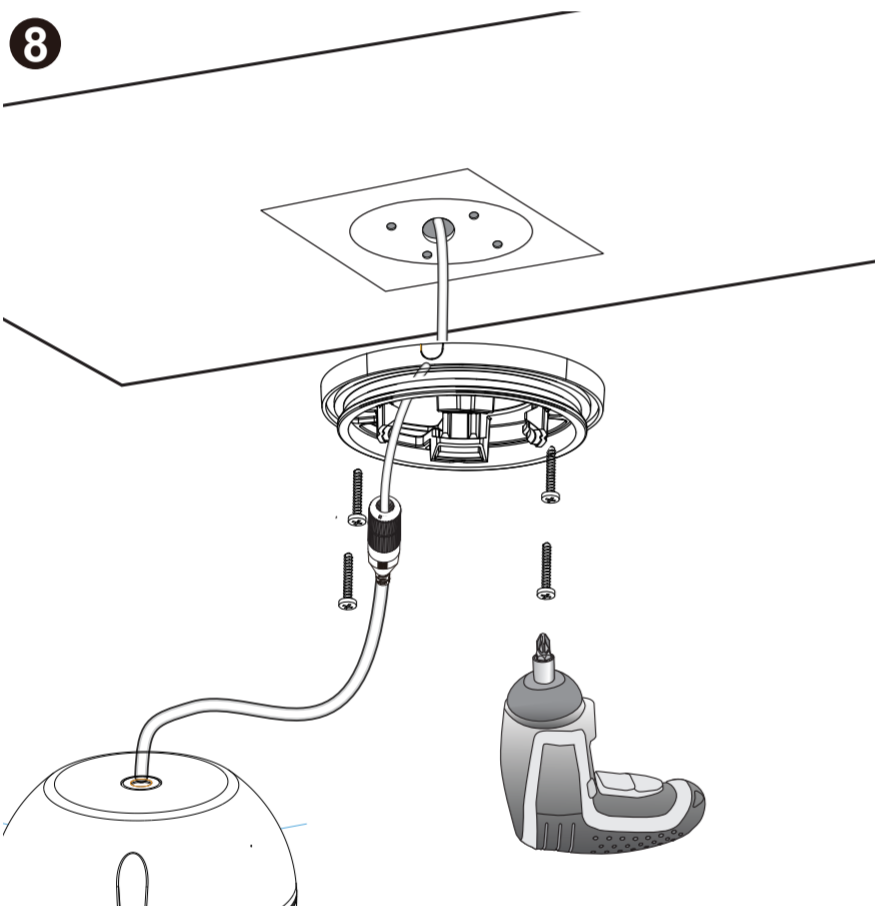
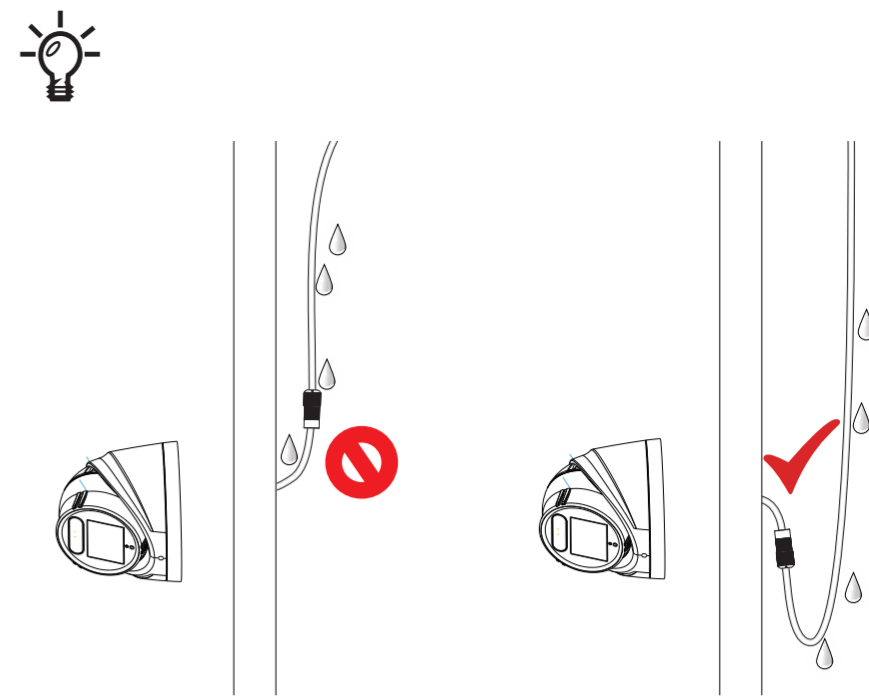
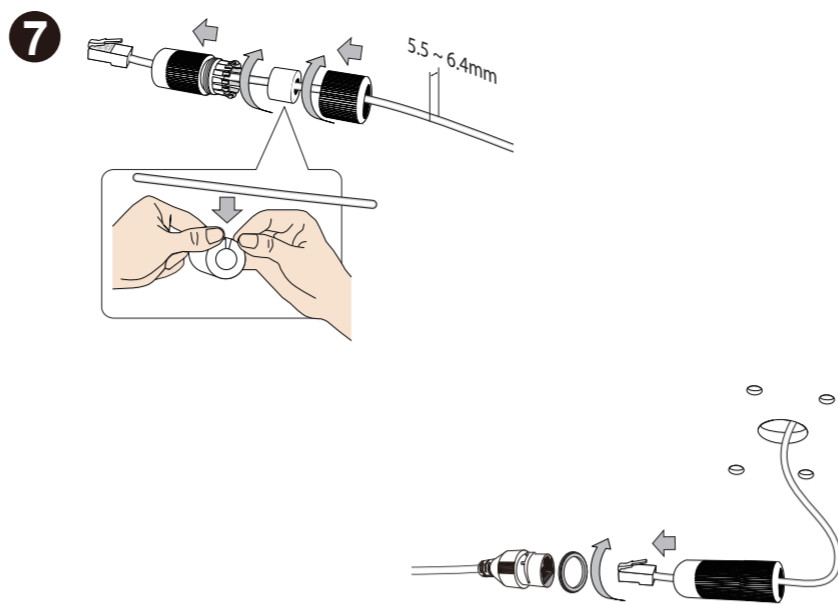
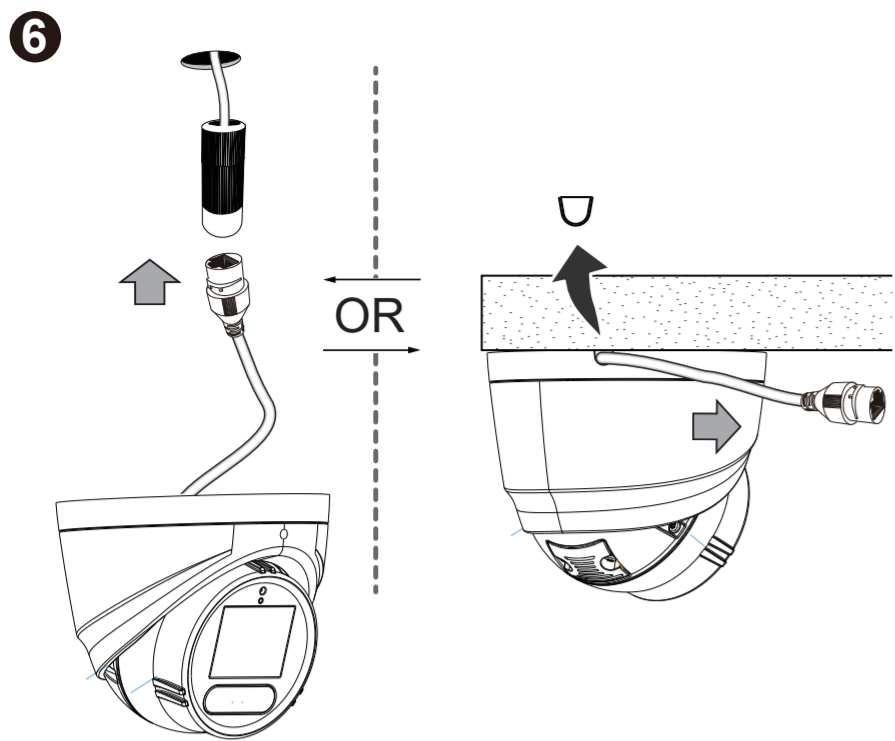


4



5

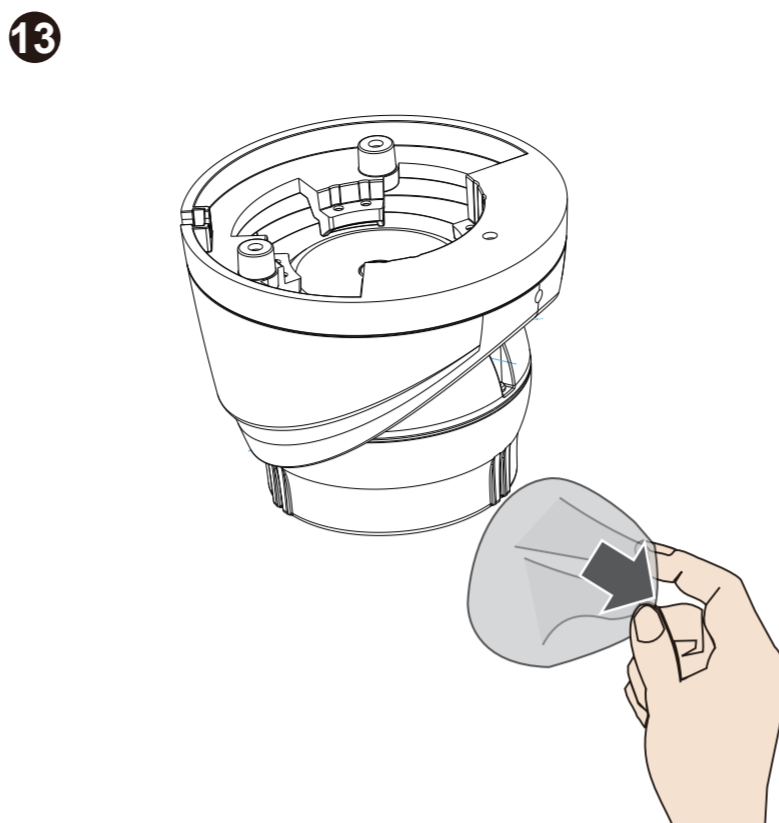
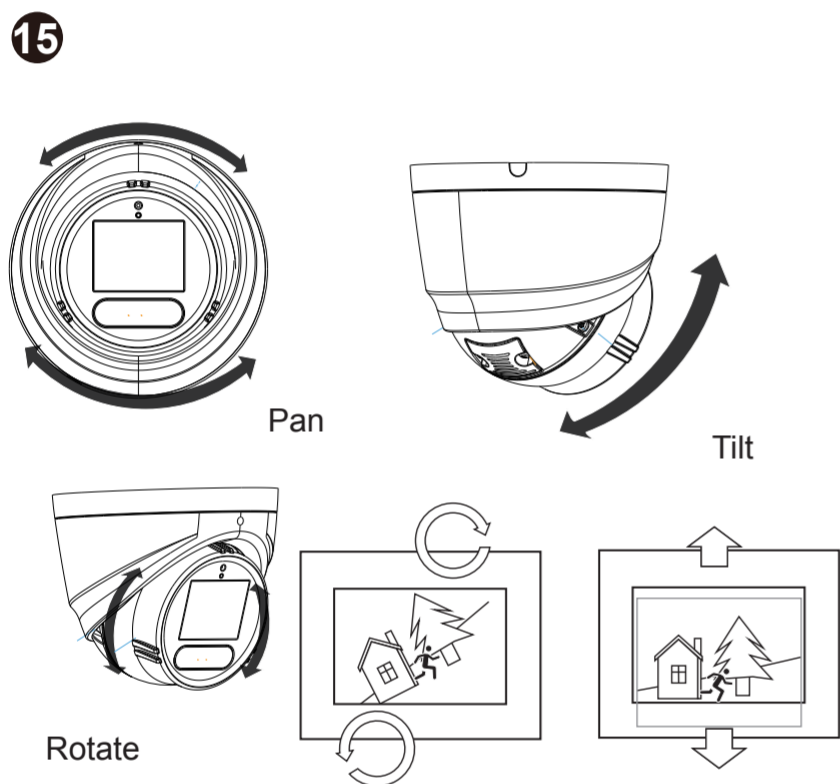




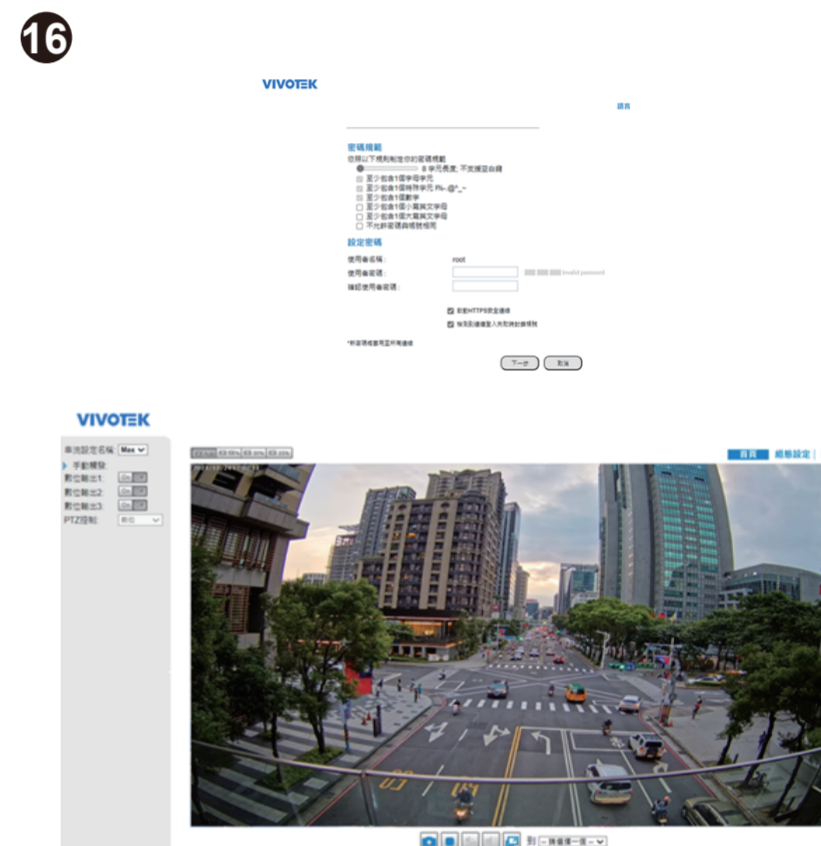
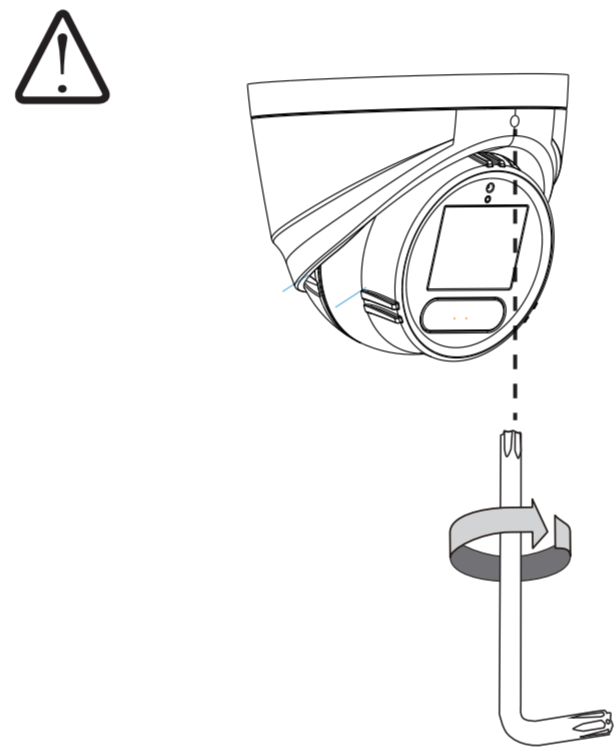
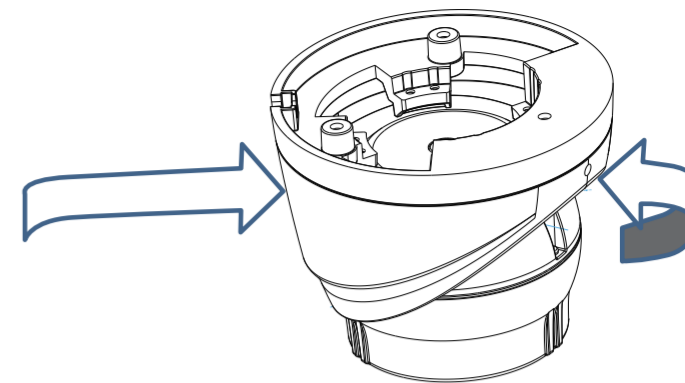


1. After connecting the network camera to the PoE network switch, run the VIVOTEK Shepherd app to search for the IP location of the network camera. Then, enter the camera's webpage.
2. Please download the Shepherd program from the VIVOTEK website <https://www.vivotek.com/Shepherd>.

1. 請於 VIVOTEK 網頁 <https://www.vivotek.com/Shepherd> 下載 Shepherd 程式。
2. 將網路攝影機連接上 PoE 網路交換機後，執行晶睿通訊 Shepherd 程式搜尋該網路攝影機的 IP 位置，並進入該攝影機的網頁。



- 14 **IMPORTANT:** Pan the camera first. You may clog the cable if tilting the camera first. Tilt the camera back to its upright position, and try again if you can not turn the camera towards a preferred orientation.



Software operation

1. When logging into the camera's webpage for the first time, you need to set a password according to the password rules.
2. After logging in to the camera web page, you can see the camera page.

軟體操作

1. 首次登入攝影機的網頁，需要依照密碼規範設定密碼。
2. 登入攝影機網頁後，即可看到攝影機頁面。

Function description of the icon buttons at the bottom of the page (from left to right)

1. Snapshot: Capture the current picture
2. Video recording: Manually start recording
3. Lower the volume
4. Increase the volume
5. Fullscreen

頁面下方圖示按鈕功能說明 (由左至右)

1. 快照：擷取當下圖片
2. 錄影：手動啟動錄影
3. 降低音量
4. 提高音量
5. 全螢幕

IT9383-HTVW

Configuration > Media > Image > Focus



Please contact authorized distributors for warranty and RMA service.
Visit <https://www.vivotek.com/support/warranty> and <https://www.vivotek.com/support/rma>

All specifications are subject to change without notice.
Copyright © 2024 VIVOTEK INC. All rights reserved.

VIVOTEK INC.
6F, No.192, Lien-Cheng Rd., Chung-Ho, New Taipei City, 235, Taiwan, R.O.C.
[T: +886-2-82455282] F: +886-2-82455532 E: sales@vivotek.com

VIVOTEK USA, INC.
2050 Ringwood Avenue, San Jose, CA 95131
[T: 408-773-8686] F: 408-773-8298 E: salesusa@vivotek.com

VIVOTEK Europe
Zandsteen 15, 2132 MZ Hoofddorp Delta Electronics
T: +31 (0)20 800 3817 E: sales@vivotek.com