

Installation Guide

Rev. 1.3

Revision History:

Rev. 1.0: Initial release; Rev. 1.1: Added mounting holes for IB8367A, IB8369A, IB8377, and IB8379.
Rev. 1.2: Added MS9390-HV as the supported model. Rev. 1.3: Added IB9367-EHT-v2 as the supported model.

Corresponding ordering part numbers:

AM-312: 900034801G,	AM-714: 100134800G
AM-218: 100146100G	AM-719: 100184500G

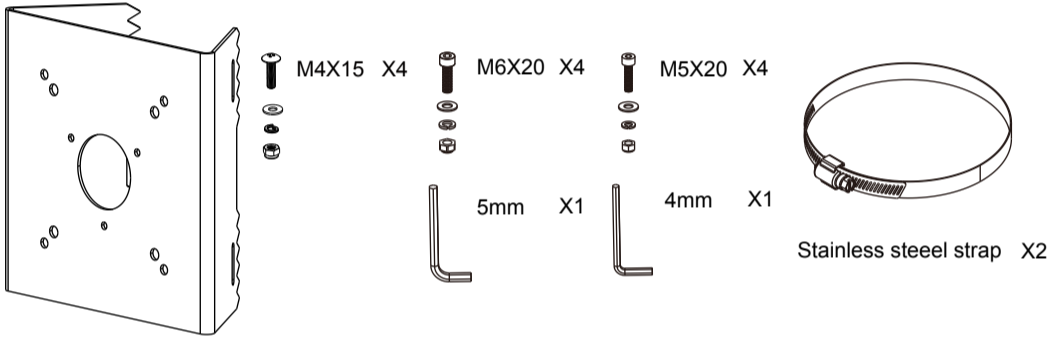
Compatible VIVOTEK Cameras

Compatible brackets	Supported Cameras
AM-714	IB836BA-EHF3/EHT/HF3/HT, IB8382-EF3/ET/F3/T, IB9371-EHT/HT, IB9381-EHT/HT
AM-719	IB836BA-EHF3/EHT/HF3/HT, IB8382-EF3/ET/F3/T, IB9371-EHT/HT, IB9381-EHT/HT, IB9365-EHT/HT, IB9367-EHT/HT/H, IB8377-EHT/HT
AM-218 (via AM-714/AM-719)	Please refer to AM-218, AM-520, and AM-525 documents.
Directly attached	Supported Cameras
*	IB836BA-EHF3/EHT/HF3/HT, IB8382-EF3/ET/F3/T, IB9371-EHT/HT, IB9381-EHT/HT, IB9365-EHT/HT, IB9367-EHT/HT/H, IB8377-EHT/HT, IB8367A, IB8369A, IB8377-H, IB8379-H, MS8391-EV, MS9390-HV, IB9367-EHT-v2

* The directly-attached configuration is less recommended for the lack of waterproof and cabling protection. If directly attached, you should properly wrap the rear-end cables and connectors with waterproof protection such as putties.

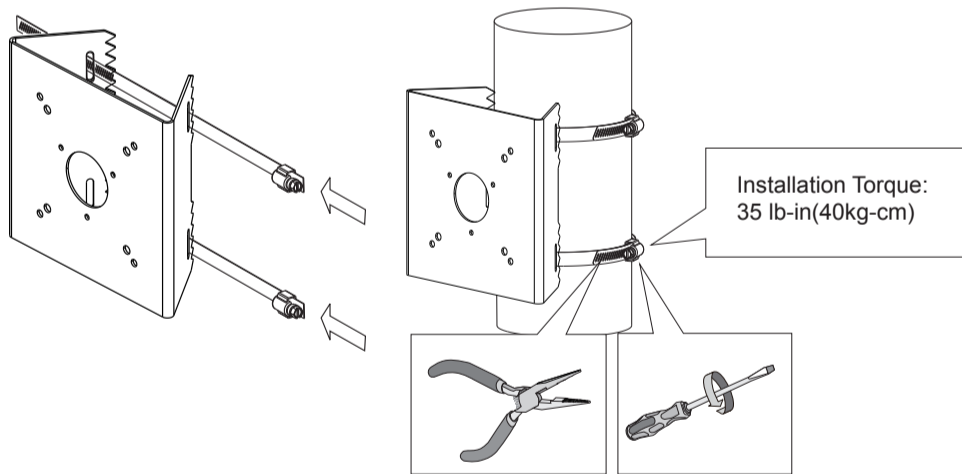
Package Contents

Items	1. Pole mount bracket, 2. Stainless strap x2, 3. M6X20mm screws x4, 4. M5X20mm screws x4, 5. Hex L wrench 5mm x1, 6. Hex L wrench 4mm x1, 7. M4x15 screws x4.
-------	---



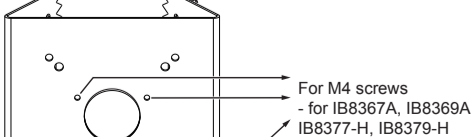
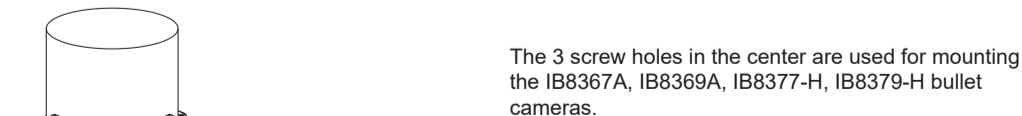
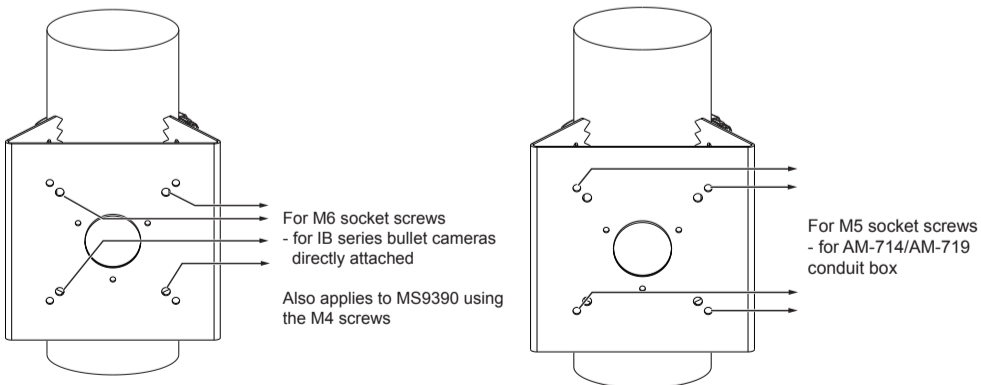
Installation

Below is a general, sample procedure using a Pole mount bracket:
1. Pass the stainless steel straps through the bracket and around the pole.
2. Tighten the straps using a pincer plier and a flat blade screwdriver.



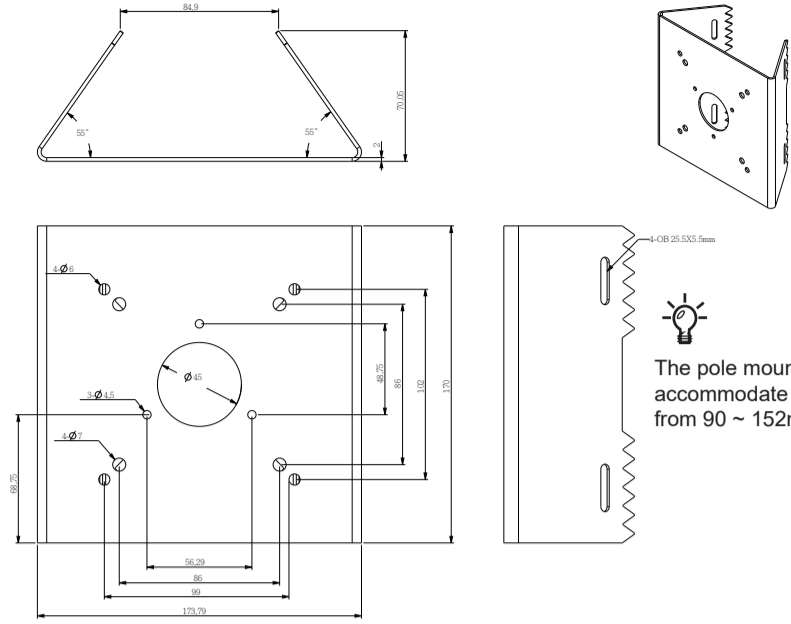
3. The 4 screw holes in the center are used for directly mounting the IB series bullet cameras.

The 4 screw holes at the edges are used for mounting the AM-714 conduit box.

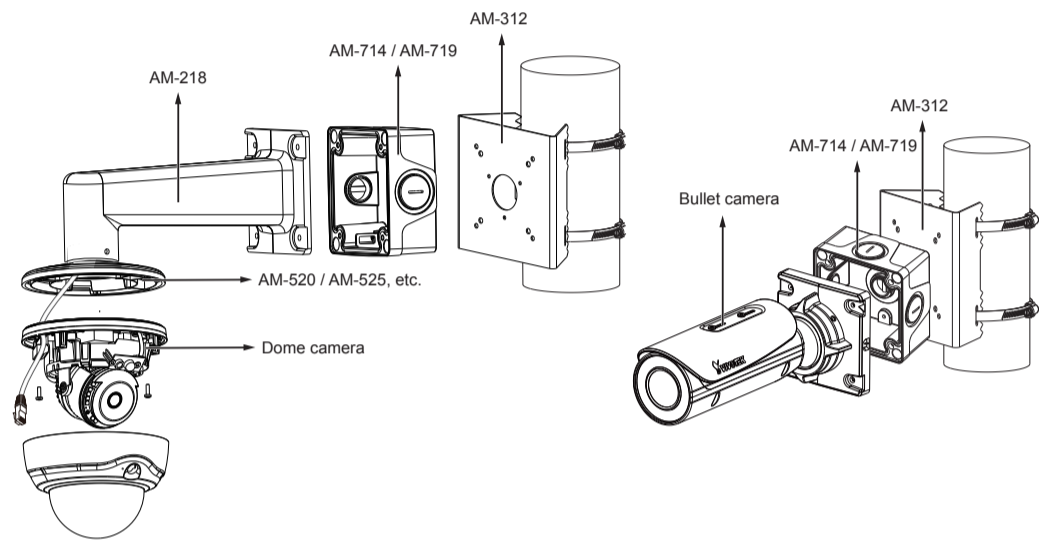


Mechanical Drawings

AM-312 Pole mount bracket

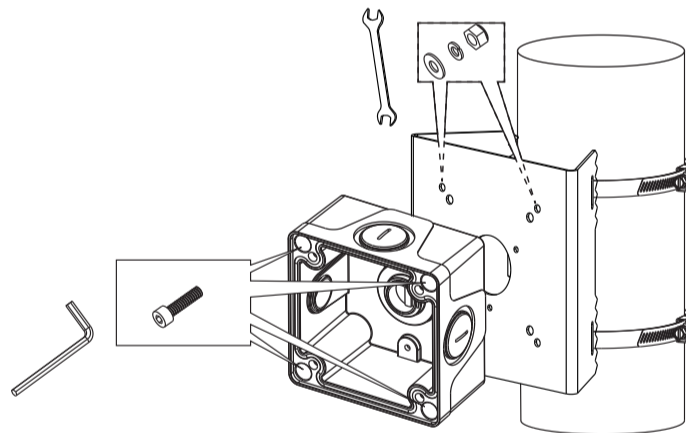


AM-312 Applications

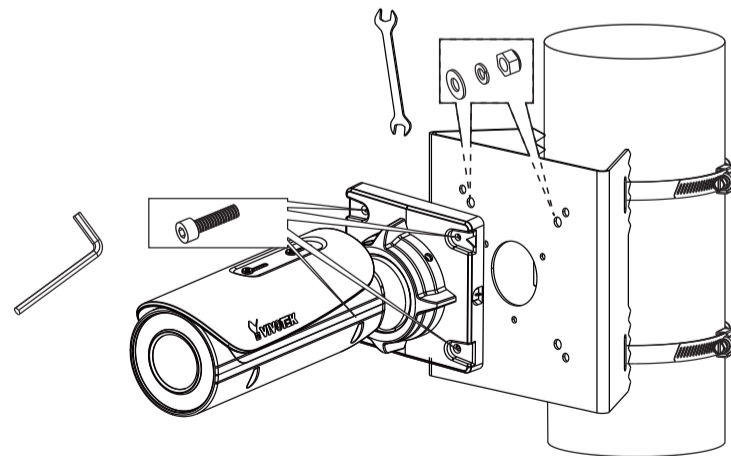


- Make sure you have purchased the adequate accessories to be combined for your installation.
- **Please do not install an indoor camera in an outdoor environment! Doing so will void our warranty.** This is determined by whether the camera housing is weather-proof.
- Direct sunlight can tremendously increase the temperature within the device.

4. Secure the AM-714 / AM-719 conduit box to bracket using the M5 screws, washers, and hex heads. A hex crescent wrench is required.



If you are installing a bullet camera directly to the bracket, use the M6 screws in the center. A hex crescent wrench is required.

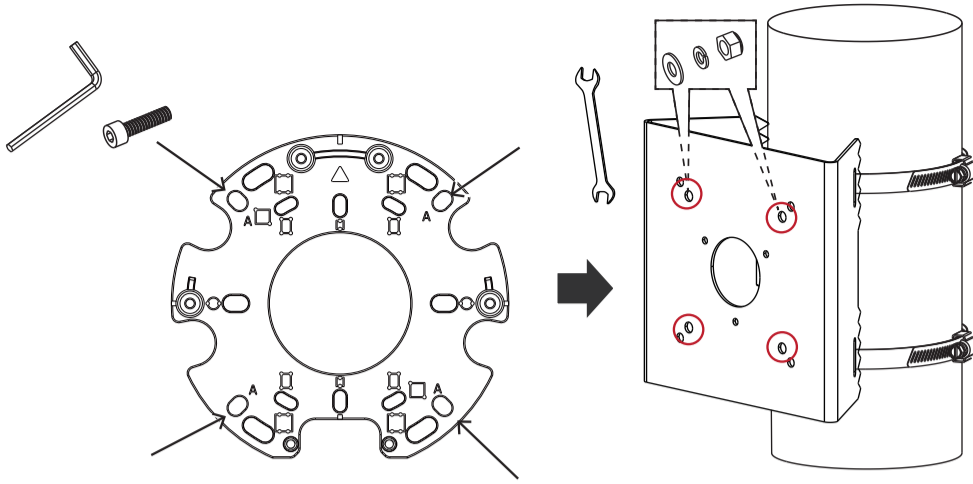


The installation of IB8367A, IB8369A, IB8377, and IB8379 is similar to the above, except using different mounting holes and screws.

5. For the rest of the installation procedure, refer to the documentation that came with the AM-714, AM-719, AM-218, and the other accessories.

The 3/4" cable glands and conduits for protecting cables are user-supplied.

For the IB9367-EHT-v2, secure the adapter plate to the bracket using M6 x 20 socket screws. Tighten the hex nuts to secure from the other side.



Below are the corresponding mount holes for the MS9390-HV.

