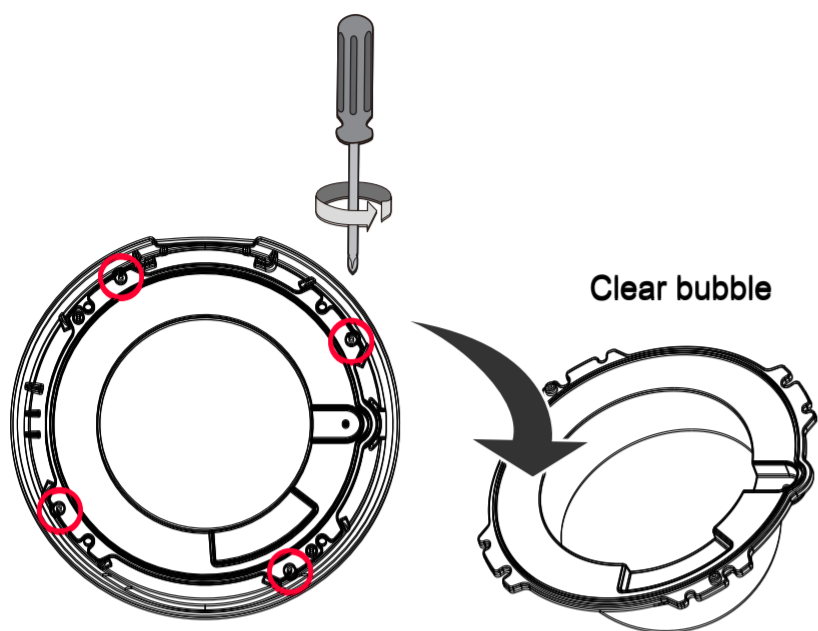
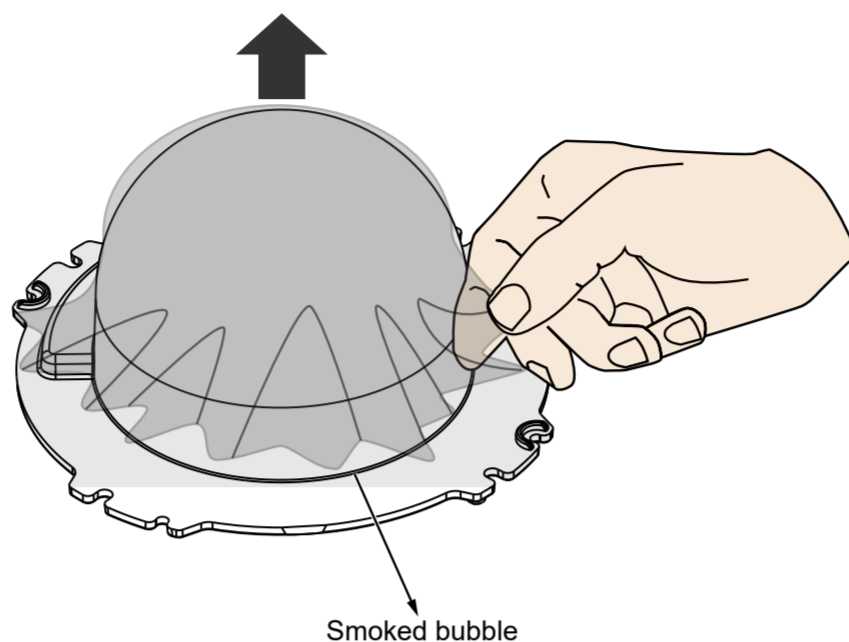


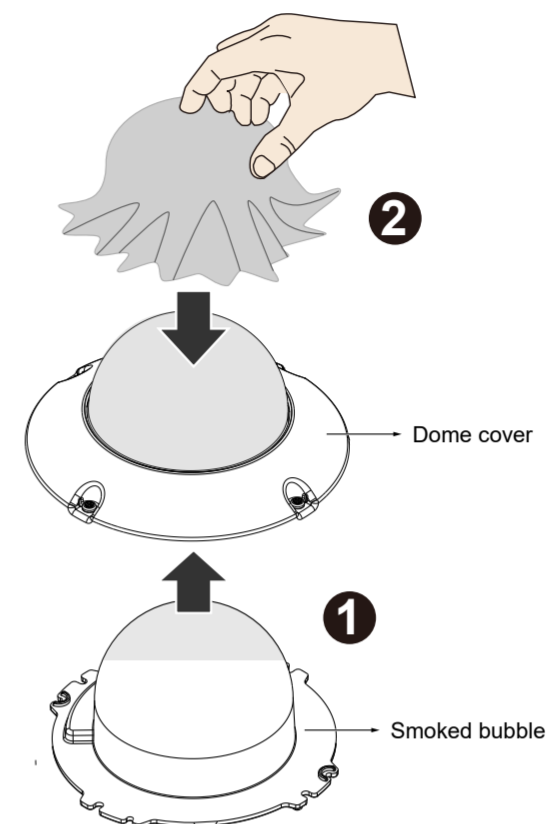
1 Remove the original clear bubble using a screwdriver.



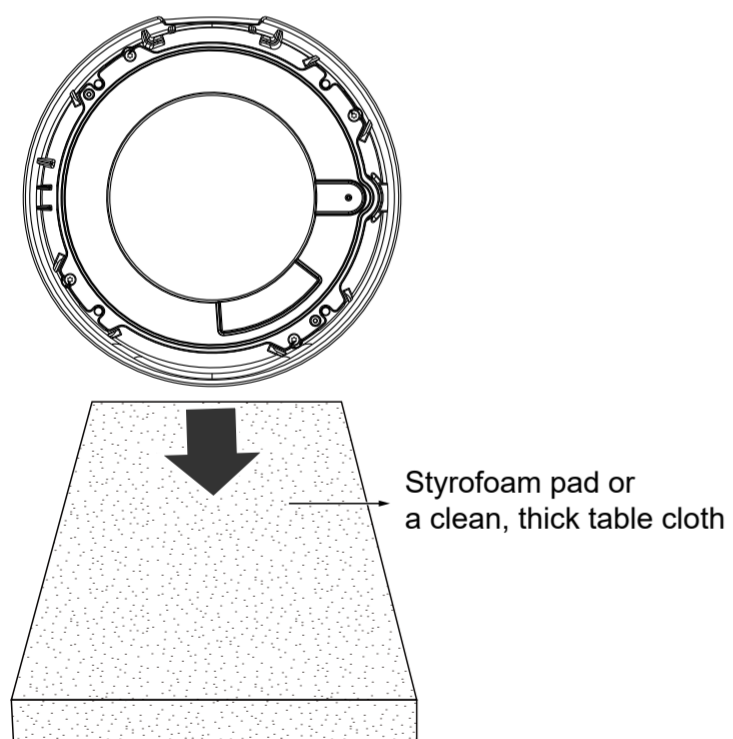
2 Remove the protective sheet from your smoked bubble.



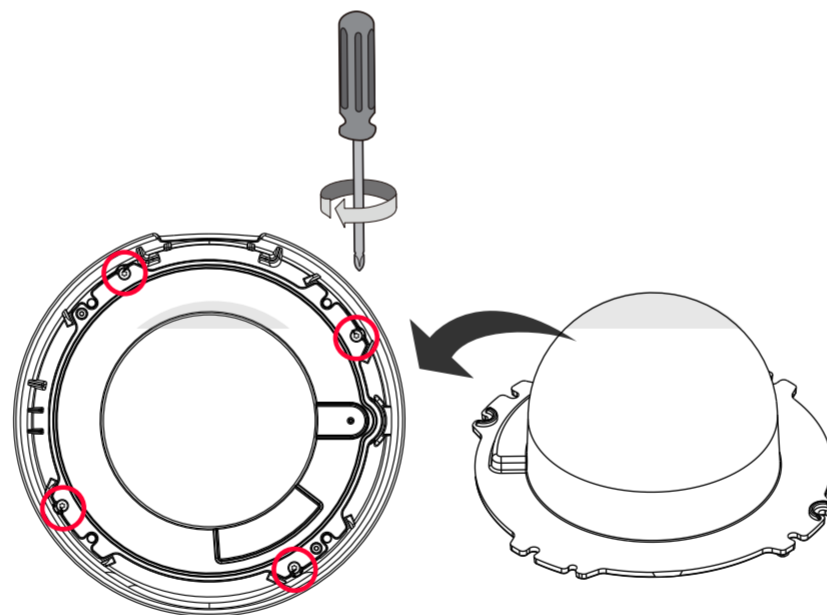
3 Insert the smoked bubble into the dome cover, and attach the original protective sheet.



4 Prepare a styrofoam pad or a clean, thick table cloth to avoid scratching the bubble when working on it.



5 Secure the smoked bubble by fastening 4 screws.



Please contact authorized distributors for warranty and RMA service.
 Visit <https://www.vivotek.com/support/warranty-rma>

All specifications are subject to change without notice.
 Copyright © 2022 VIVOTEK INC. All rights reserved.