

Revision History:

Rev. 1.0: Initial release

Part no.: 625055100G

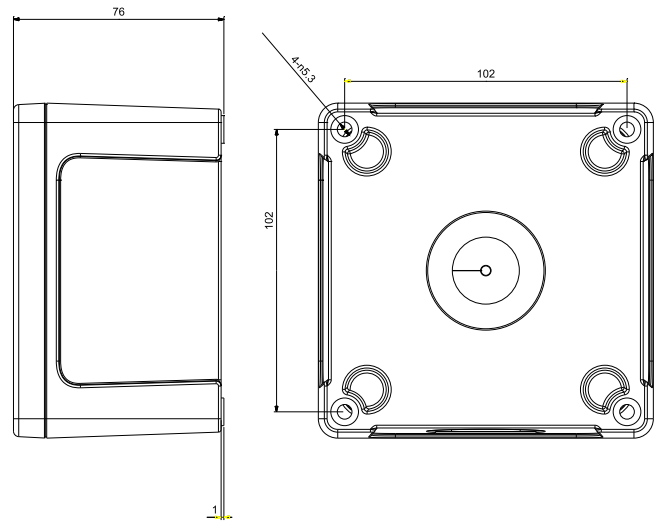
Accessory Ordering part no.: 100220500G

Compatible VIVOTEK Cameras

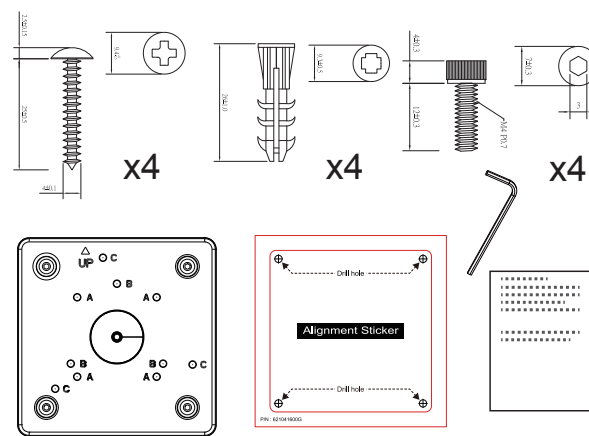
Compatible cameras/brackets

- A: IT9360-H, IT9380-H
- B: IB9389 series, IB9360-H, IB9380-H, IB9368-HT, IB9388-HT
- C: FD9360-H, FD9380-H

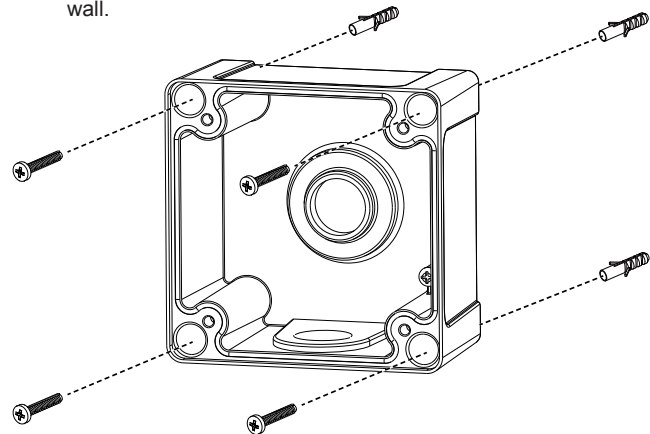
Mounting Dimensions



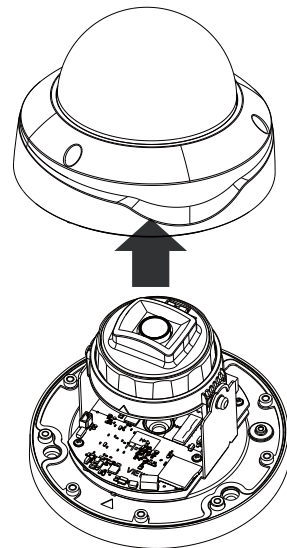
Package Contents



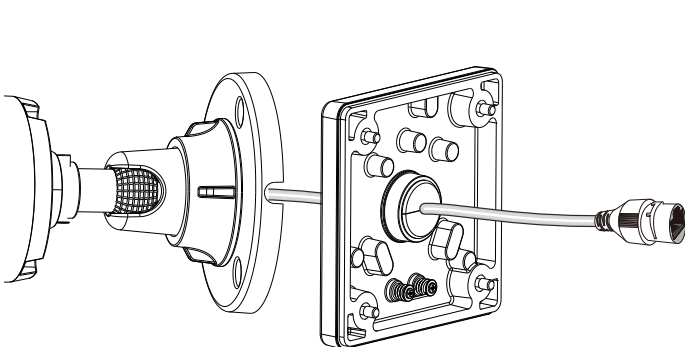
3 Attach the included alignment sticker to a preferred position. Drill holes on the wall and install the junction box. If space behind the wall allows, you may also pass cables through the wall.



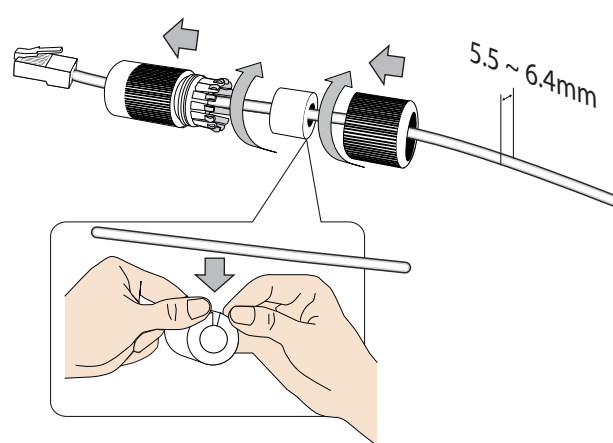
4 Loosen and remove the camera top cover. (Using one of the supported cameras as an example)



5 Pass the camera's Ethernet cable through the center hole of the box and the rubber seal.

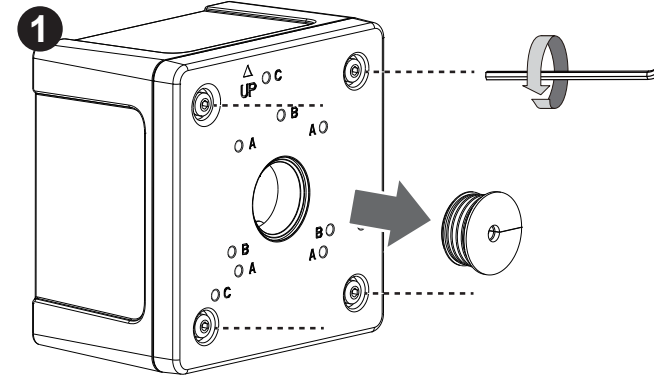


6 Install the waterproof components of the cable gland to your Ethernet cable following the QIG of your camera. The cable gland will be placed within the protection of the box.

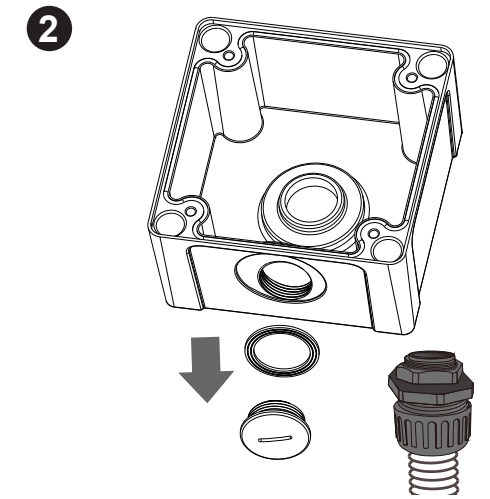


Installation

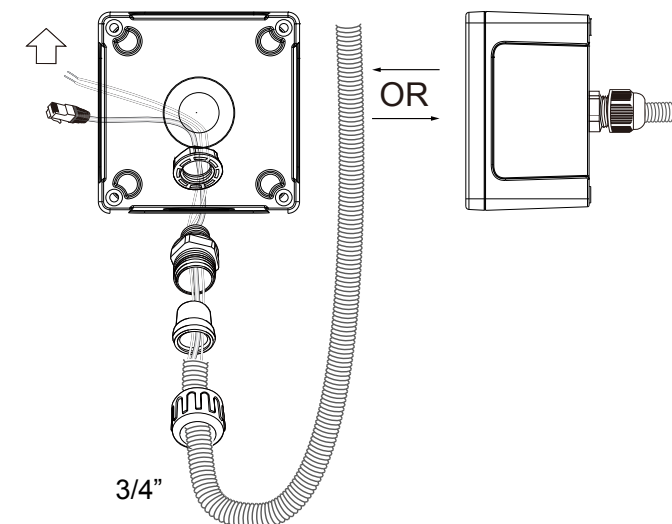
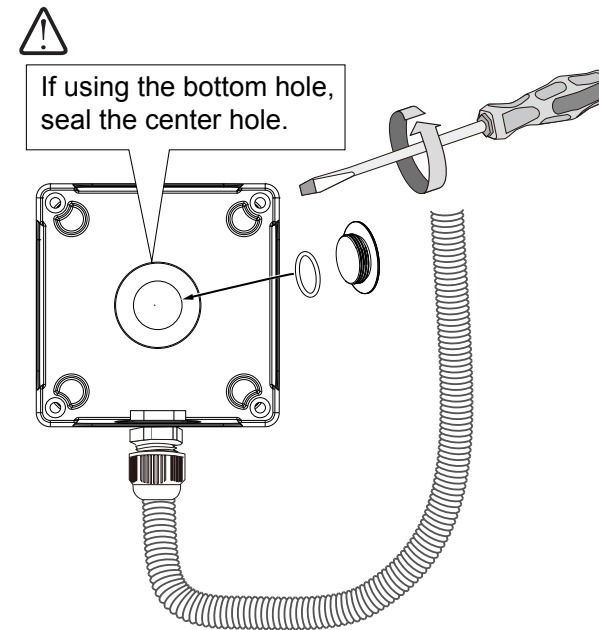
Remove the top cover and unhook the tether wire.



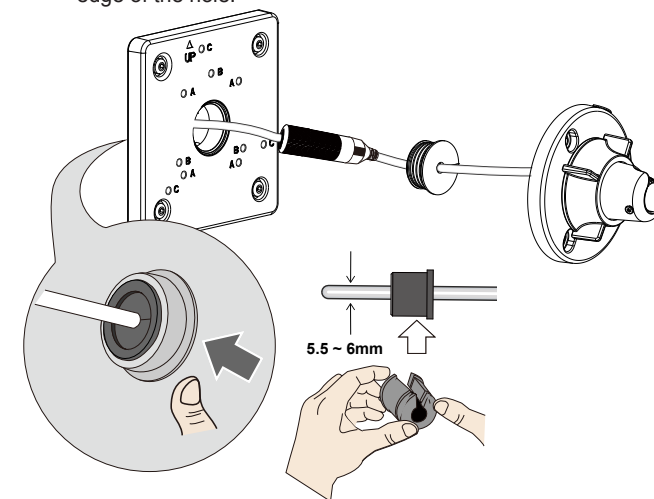
A 3/4" conduit is required for routing the cables with waterproof connection.



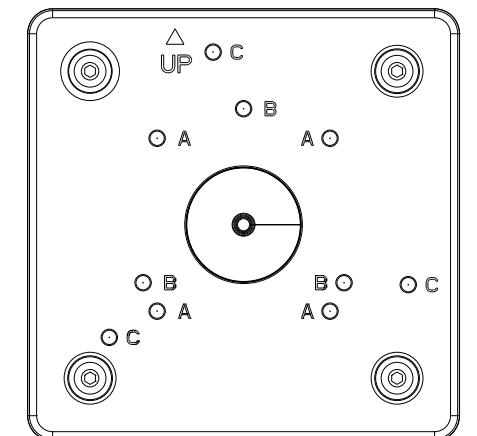
Install the cable gland and pass cables through it.



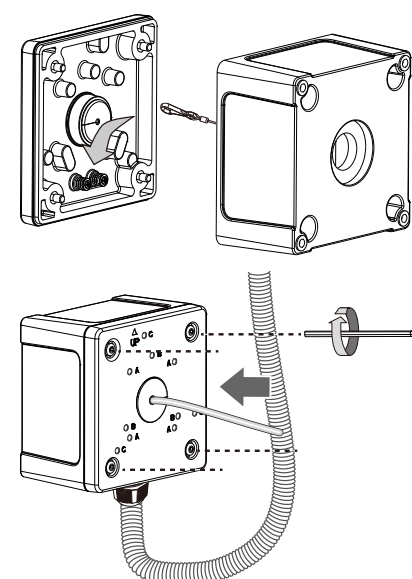
7 Make sure the rubber seal is properly installed to the center hole. The outer rim of the seal must be through and cover the edge of the hole.



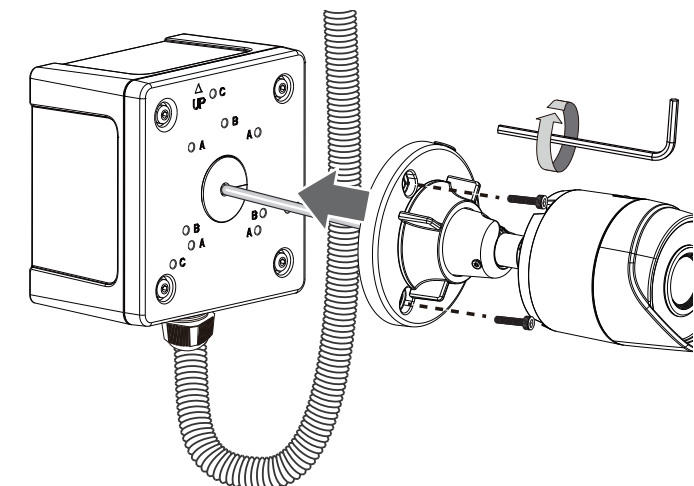
8 A: IT9360-H, IT9380-H
B: IB9389 series, IB9360-H, IB9380-H, IB9368-HT, IB9388-HT
C: FD9360-H, FD9380-H



9 Secure the top cover by fastening 4 hex socket screws.



10 Install the camera using the corresponding mounting holes with the included hex socket screws.



11 Open a live view console and adjust the shooting direction.
Refer to the camera's QIG for more information.

If installing a fixed dome camera, secure the camera top cover.

