

DS-PSP1-WE Wireless Smart Plug Quick Start Guide

English

1 APPEARANCE

1. Power Button 2. LED Indicator 3. Jack

2 ENROLLMENT

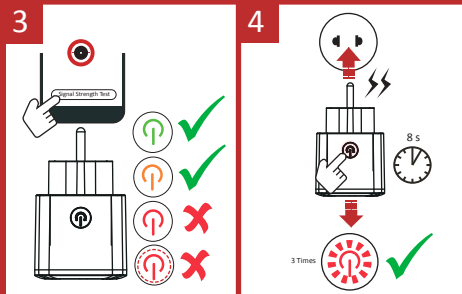
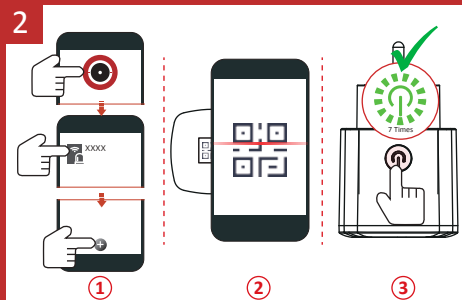
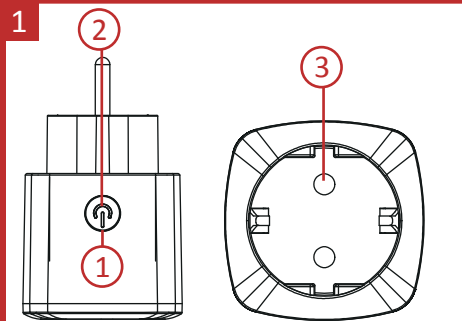
3 SIGNAL STRENGTH CHECKING

4 FORMATTING

Hold the power button for 8s, and power the plug on at the same time.

Specification

Power Button	1, for enrollment
Scenario Setting	By alarm, by operation, by fault, by schedule, by manual
RF method	Two way communication
RF Frequency	868 MHz
RF Distance	1600m
Wireless Security	AES-128
Power supply	AC 110v – 240v, 50/60 HZ , Max 10A
LEDs Status	1 (Green/Red)
Operation temperature	-10℃ to +55℃
Operation humidity	10% to 90%
Dimension(WxHxD)	52 mm x 52 mm x 88 mm
Weight	85 g
Installation method	Plug into Socket



©2020 Hangzhou Hikvision Digital Technology Co., Ltd. All rights reserved.

About this Manual

This Manual includes instructions for using and managing the Product. Pictures, charts, images and all other information hereinafter are for description and explanation only. The information contained in this Manual is subject to change, without notice, due to firmware updates or other reasons. Please find the latest version of this Manual at the Hikvision website (<http://www.hikvision.com/>).

Please use this Manual with the guidance and assistance of professionals trained in supporting the Product.

HIKVISION and other related trademarks and logos are the properties of Hikvision in various jurisdictions. Other trademarks and logos mentioned are the properties of their respective owners.

TO THE MAXIMUM EXTENT PERMITTED BY APPLICABLE LAW, THIS MANUAL AND THE PRODUCT DESCRIBED, WITH ITS HARDWARE, SOFTWARE AND FIRMWARE, ARE PROVIDED "AS IS," AND WITHOUT ANY WARRANTY, FOR INFORMATION AND INFORMATION PURPOSES ONLY. THE USER SHALL BE RESPONSIBLE FOR ANY DAMAGE TO THE PRODUCT OR TO THE USER'S PERSONAL PROPERTY, INCLUDING, AMONG OTHERS, DAMAGES FOR LOSS OF BUSINESS OR PROFITS, INDEMNIFICATION OF DATA, OR OTHERWISE, IN CONNECTION WITH THE USE OF THE PRODUCT. LIENVA FOR BUSINESS HAS BEEN ADVISED OF THE POSSIBILITY OF SUCH DAMAGES OR LOSS.

THE USER SHALL BE RESPONSIBLE FOR THE NATURE OF INTERNET SECURITY RISKS, AND HIKVISION SHALL NOT TAKE ANY RESPONSIBILITIES FOR ANY DAMAGE TO THE USER'S PERSONAL PROPERTY, INCLUDING, AMONG OTHERS, DAMAGES FOR LOSS OF BUSINESS OR PROFITS, INDEMNIFICATION OF DATA, OR OTHERWISE, IN CONNECTION WITH THE USE OF THE PRODUCT. LIENVA FOR BUSINESS HAS BEEN ADVISED OF THE POSSIBILITY OF SUCH DAMAGES OR LOSS.

THE USER SHALL BE RESPONSIBLE FOR THE NATURE OF INTERNET SECURITY RISKS, AND HIKVISION SHALL NOT TAKE ANY RESPONSIBILITIES FOR ANY DAMAGE TO THE USER'S PERSONAL PROPERTY, INCLUDING, AMONG OTHERS, DAMAGES FOR LOSS OF BUSINESS OR PROFITS, INDEMNIFICATION OF DATA, OR OTHERWISE, IN CONNECTION WITH THE USE OF THE PRODUCT. LIENVA FOR BUSINESS HAS BEEN ADVISED OF THE POSSIBILITY OF SUCH DAMAGES OR LOSS.

THE USER SHALL BE RESPONSIBLE FOR THE NATURE OF INTERNET SECURITY RISKS, AND HIKVISION SHALL NOT TAKE ANY RESPONSIBILITIES FOR ANY DAMAGE TO THE USER'S PERSONAL PROPERTY, INCLUDING, AMONG OTHERS, DAMAGES FOR LOSS OF BUSINESS OR PROFITS, INDEMNIFICATION OF DATA, OR OTHERWISE, IN CONNECTION WITH THE USE OF THE PRODUCT. LIENVA FOR BUSINESS HAS BEEN ADVISED OF THE POSSIBILITY OF SUCH DAMAGES OR LOSS.

THE USER SHALL BE RESPONSIBLE FOR THE NATURE OF INTERNET SECURITY RISKS, AND HIKVISION SHALL NOT TAKE ANY RESPONSIBILITIES FOR ANY DAMAGE TO THE USER'S PERSONAL PROPERTY, INCLUDING, AMONG OTHERS, DAMAGES FOR LOSS OF BUSINESS OR PROFITS, INDEMNIFICATION OF DATA, OR OTHERWISE, IN CONNECTION WITH THE USE OF THE PRODUCT. LIENVA FOR BUSINESS HAS BEEN ADVISED OF THE POSSIBILITY OF SUCH DAMAGES OR LOSS.

THE USER SHALL BE RESPONSIBLE FOR THE NATURE OF INTERNET SECURITY RISKS, AND HIKVISION SHALL NOT TAKE ANY RESPONSIBILITIES FOR ANY DAMAGE TO THE USER'S PERSONAL PROPERTY, INCLUDING, AMONG OTHERS, DAMAGES FOR LOSS OF BUSINESS OR PROFITS, INDEMNIFICATION OF DATA, OR OTHERWISE, IN CONNECTION WITH THE USE OF THE PRODUCT. LIENVA FOR BUSINESS HAS BEEN ADVISED OF THE POSSIBILITY OF SUCH DAMAGES OR LOSS.

THE USER SHALL BE RESPONSIBLE FOR THE NATURE OF INTERNET SECURITY RISKS, AND HIKVISION SHALL NOT TAKE ANY RESPONSIBILITIES FOR ANY DAMAGE TO THE USER'S PERSONAL PROPERTY, INCLUDING, AMONG OTHERS, DAMAGES FOR LOSS OF BUSINESS OR PROFITS, INDEMNIFICATION OF DATA, OR OTHERWISE, IN CONNECTION WITH THE USE OF THE PRODUCT. LIENVA FOR BUSINESS HAS BEEN ADVISED OF THE POSSIBILITY OF SUCH DAMAGES OR LOSS.

THE USER SHALL BE RESPONSIBLE FOR THE NATURE OF INTERNET SECURITY RISKS, AND HIKVISION SHALL NOT TAKE ANY RESPONSIBILITIES FOR ANY DAMAGE TO THE USER'S PERSONAL PROPERTY, INCLUDING, AMONG OTHERS, DAMAGES FOR LOSS OF BUSINESS OR PROFITS, INDEMNIFICATION OF DATA, OR OTHERWISE, IN CONNECTION WITH THE USE OF THE PRODUCT. LIENVA FOR BUSINESS HAS BEEN ADVISED OF THE POSSIBILITY OF SUCH DAMAGES OR LOSS.

THE USER SHALL BE RESPONSIBLE FOR THE NATURE OF INTERNET SECURITY RISKS, AND HIKVISION SHALL NOT TAKE ANY RESPONSIBILITIES FOR ANY DAMAGE TO THE USER'S PERSONAL PROPERTY, INCLUDING, AMONG OTHERS, DAMAGES FOR LOSS OF BUSINESS OR PROFITS, INDEMNIFICATION OF DATA, OR OTHERWISE, IN CONNECTION WITH THE USE OF THE PRODUCT. LIENVA FOR BUSINESS HAS BEEN ADVISED OF THE POSSIBILITY OF SUCH DAMAGES OR LOSS.

THE USER SHALL BE RESPONSIBLE FOR THE NATURE OF INTERNET SECURITY RISKS, AND HIKVISION SHALL NOT TAKE ANY RESPONSIBILITIES FOR ANY DAMAGE TO THE USER'S PERSONAL PROPERTY, INCLUDING, AMONG OTHERS, DAMAGES FOR LOSS OF BUSINESS OR PROFITS, INDEMNIFICATION OF DATA, OR OTHERWISE, IN CONNECTION WITH THE USE OF THE PRODUCT. LIENVA FOR BUSINESS HAS BEEN ADVISED OF THE POSSIBILITY OF SUCH DAMAGES OR LOSS.

THE USER SHALL BE RESPONSIBLE FOR THE NATURE OF INTERNET SECURITY RISKS, AND HIKVISION SHALL NOT TAKE ANY RESPONSIBILITIES FOR ANY DAMAGE TO THE USER'S PERSONAL PROPERTY, INCLUDING, AMONG OTHERS, DAMAGES FOR LOSS OF BUSINESS OR PROFITS, INDEMNIFICATION OF DATA, OR OTHERWISE, IN CONNECTION WITH THE USE OF THE PRODUCT. LIENVA FOR BUSINESS HAS BEEN ADVISED OF THE POSSIBILITY OF SUCH DAMAGES OR LOSS.

THE USER SHALL BE RESPONSIBLE FOR THE NATURE OF INTERNET SECURITY RISKS, AND HIKVISION SHALL NOT TAKE ANY RESPONSIBILITIES FOR ANY DAMAGE TO THE USER'S PERSONAL PROPERTY, INCLUDING, AMONG OTHERS, DAMAGES FOR LOSS OF BUSINESS OR PROFITS, INDEMNIFICATION OF DATA, OR OTHERWISE, IN CONNECTION WITH THE USE OF THE PRODUCT. LIENVA FOR BUSINESS HAS BEEN ADVISED OF THE POSSIBILITY OF SUCH DAMAGES OR LOSS.

THE USER SHALL BE RESPONSIBLE FOR THE NATURE OF INTERNET SECURITY RISKS, AND HIKVISION SHALL NOT TAKE ANY RESPONSIBILITIES FOR ANY DAMAGE TO THE USER'S PERSONAL PROPERTY, INCLUDING, AMONG OTHERS, DAMAGES FOR LOSS OF BUSINESS OR PROFITS, INDEMNIFICATION OF DATA, OR OTHERWISE, IN CONNECTION WITH THE USE OF THE PRODUCT. LIENVA FOR BUSINESS HAS BEEN ADVISED OF THE POSSIBILITY OF SUCH DAMAGES OR LOSS.

THE USER SHALL BE RESPONSIBLE FOR THE NATURE OF INTERNET SECURITY RISKS, AND HIKVISION SHALL NOT TAKE ANY RESPONSIBILITIES FOR ANY DAMAGE TO THE USER'S PERSONAL PROPERTY, INCLUDING, AMONG OTHERS, DAMAGES FOR LOSS OF BUSINESS OR PROFITS, INDEMNIFICATION OF DATA, OR OTHERWISE, IN CONNECTION WITH THE USE OF THE PRODUCT. LIENVA FOR BUSINESS HAS BEEN ADVISED OF THE POSSIBILITY OF SUCH DAMAGES OR LOSS.

THE USER SHALL BE RESPONSIBLE FOR THE NATURE OF INTERNET SECURITY RISKS, AND HIKVISION SHALL NOT TAKE ANY RESPONSIBILITIES FOR ANY DAMAGE TO THE USER'S PERSONAL PROPERTY, INCLUDING, AMONG OTHERS, DAMAGES FOR LOSS OF BUSINESS OR PROFITS, INDEMNIFICATION OF DATA, OR OTHERWISE, IN CONNECTION WITH THE USE OF THE PRODUCT. LIENVA FOR BUSINESS HAS BEEN ADVISED OF THE POSSIBILITY OF SUCH DAMAGES OR LOSS.

THE USER SHALL BE RESPONSIBLE FOR THE NATURE OF INTERNET SECURITY RISKS, AND HIKVISION SHALL NOT TAKE ANY RESPONSIBILITIES FOR ANY DAMAGE TO THE USER'S PERSONAL PROPERTY, INCLUDING, AMONG OTHERS, DAMAGES FOR LOSS OF BUSINESS OR PROFITS, INDEMNIFICATION OF DATA, OR OTHERWISE, IN CONNECTION WITH THE USE OF THE PRODUCT. LIENVA FOR BUSINESS HAS BEEN ADVISED OF THE POSSIBILITY OF SUCH DAMAGES OR LOSS.

THE USER SHALL BE RESPONSIBLE FOR THE NATURE OF INTERNET SECURITY RISKS, AND HIKVISION SHALL NOT TAKE ANY RESPONSIBILITIES FOR ANY DAMAGE TO THE USER'S PERSONAL PROPERTY, INCLUDING, AMONG OTHERS, DAMAGES FOR LOSS OF BUSINESS OR PROFITS, INDEMNIFICATION OF DATA, OR OTHERWISE, IN CONNECTION WITH THE USE OF THE PRODUCT. LIENVA FOR BUSINESS HAS BEEN ADVISED OF THE POSSIBILITY OF SUCH DAMAGES OR LOSS.

THE USER SHALL BE RESPONSIBLE FOR THE NATURE OF INTERNET SECURITY RISKS, AND HIKVISION SHALL NOT TAKE ANY RESPONSIBILITIES FOR ANY DAMAGE TO THE USER'S PERSONAL PROPERTY, INCLUDING, AMONG OTHERS, DAMAGES FOR LOSS OF BUSINESS OR PROFITS, INDEMNIFICATION OF DATA, OR OTHERWISE, IN CONNECTION WITH THE USE OF THE PRODUCT. LIENVA FOR BUSINESS HAS BEEN ADVISED OF THE POSSIBILITY OF SUCH DAMAGES OR LOSS.

THE USER SHALL BE RESPONSIBLE FOR THE NATURE OF INTERNET SECURITY RISKS, AND HIKVISION SHALL NOT TAKE ANY RESPONSIBILITIES FOR ANY DAMAGE TO THE USER'S PERSONAL PROPERTY, INCLUDING, AMONG OTHERS, DAMAGES FOR LOSS OF BUSINESS OR PROFITS, INDEMNIFICATION OF DATA, OR OTHERWISE, IN CONNECTION WITH THE USE OF THE PRODUCT. LIENVA FOR BUSINESS HAS BEEN ADVISED OF THE POSSIBILITY OF SUCH DAMAGES OR LOSS.

THE USER SHALL BE RESPONSIBLE FOR THE NATURE OF INTERNET SECURITY RISKS, AND HIKVISION SHALL NOT TAKE ANY RESPONSIBILITIES FOR ANY DAMAGE TO THE USER'S PERSONAL PROPERTY, INCLUDING, AMONG OTHERS, DAMAGES FOR LOSS OF BUSINESS OR PROFITS, INDEMNIFICATION OF DATA, OR OTHERWISE, IN CONNECTION WITH THE USE OF THE PRODUCT. LIENVA FOR BUSINESS HAS BEEN ADVISED OF THE POSSIBILITY OF SUCH DAMAGES OR LOSS.

THE USER SHALL BE RESPONSIBLE FOR THE NATURE OF INTERNET SECURITY RISKS, AND HIKVISION SHALL NOT TAKE ANY RESPONSIBILITIES FOR ANY DAMAGE TO THE USER'S PERSONAL PROPERTY, INCLUDING, AMONG OTHERS, DAMAGES FOR LOSS OF BUSINESS OR PROFITS, INDEMNIFICATION OF DATA, OR OTHERWISE, IN CONNECTION WITH THE USE OF THE PRODUCT. LIENVA FOR BUSINESS HAS BEEN ADVISED OF THE POSSIBILITY OF SUCH DAMAGES OR LOSS.

Legal and Regulatory Information

