

USER MANUAL

Expandable serial alarm systems

TP10-42 - TP8-88 - TP20-440



Release:	3.1
Models:	TP10-42 - TP8-88 - TP20-440
Programming SW version:	4.91
Update:	04/2016
Language:	English

CONFORMITY

The present equipment is in compliance with the essential requirements and other relevant provisions of the R&TTE 1999/05/EC directive. The equipment is also in compliance with the standard EN 50131-1.

The declaration of conformity is available on the website: www.tecnoalarm.com.

The product features can be subject to change without notice. Unauthorized reproduction or distribution of this manual, or any portion of it, on any device and in any form, is prohibited. The contents of this manual may be subject to change without notice.

INDEX

1 - GENERAL CHARACTERISTICS

1-1	Control units	7
1-2	Functions	7
1-3	Access level	7
1-4	Master level	8
1-5	Standard user level	8
1-6	Control by telephone	8

2 - MANAGEMENT WITH TRANSPONDER

2-1	Single arming	11
2-2	Single disarming	11
2-3	Multiple arming	11
2-4	Multiple disarming	12
2-5	Arming with exclusion of the open zones	12
2-6	Bypass of the armed programs	12

3 - CONSOLES AND KEYPADS

3-1	UTS 4.3 PROX	13
3-2	LCD300/S	17
3-3	LCDPROX1	19
3-4	DIGITEX	22

4 - MANAGEMENT WITH CODE

4-1	Arming	23
4-2	Disarming	23
4-3	Direct arming	24
4-4	Direct disarming	24
4-5	Arming with exclusion of the open zones	25
4-6	Arming with voluntary exclusion of zones	25
4-7	Hold-up alarm activation	26
4-8	Panic alarm activation	26
4-9	Consultation of the stored alarms	26
4-10	Consultation of the event log	27
4-11	Consultation of the open zones	27
4-12	Remote controls	28

5 - PROGRAMMING

5-1	Clock menu	30
5-2	Function menu	30
5-3	Program menu	31

5-4	Time menu	33
	A - Timers	33
	B - Access periods	34
5-5	Telephone menu	36
	A - PSTN	36
	B - GSM	38
	C - TECNOCELL	42
	D - Telephone channels	44
	E - Call back	45
5-6	Code menu	46
	A - Master code	46
	B - User codes	48
5-7	Key menu	50
5-8	Wireless key menu	52
5-9	Console menu	55
5-10	Isolation menu	56
5-11	Test menu	57
5-12	Option menu	60
	A - Remote access	60
	B - Protocol	60
	C - Printout	60
	D - Access restrictions	61

6 - CONTROL BY TELEPHONE

		63
--	--	----

7 - MANAGEMENT WITH SMS MESSAGES

7-1	SMS-COMMANDS	67
7-2	Airtime request	68

8 - PERIODIC MAINTENANCE OF THE SYSTEM

		69
--	--	----

1 - GENERAL CHARACTERISTICS

The security system is able to manage wired/wireless zones. The user can interact with the system through the control units.

1-1 - Control units

Console

The control panel can be controlled by access codes from the LCD300/S, LCDPROX1 and UTS consoles.

The LCD300/S console is equipped by a speaker to inform the users about the functional state and the failures with voice messages.

The LCDPROX1 console has a transponder reader.

The UTS console (Universal Touch Screen) is the most advanced because it allows to interact with the installation by the mean of a touch screen and, compared to other consoles, it offers additional advantages.

All the consoles permit the programming of some functions of the system and management of 8 programs.

Electronic keyboard

The control panel can be controlled by the codes also using the DIGITEX keyboard for outdoor.

This keyboard permits the management of 4 programs and to each keyboard it is possible to associate different programs.

Transponder reader

The system can be controlled by transponders and RFID cards from the transponder readers. The readers permit the management of 3 programs and to each reader can be associated different programs. The LCDPROX1 also is able to recognize the transponders/RFID cards but, in this case, the programs managed are 8.

Readers of finger prints/RFID cards

The system can be managed by APR readers. According to the model, the readers regulate the access to the system through the recognition of finger prints and/or RFID cards.

The APR readers manage 3 programs and it is possible to associate different programs to each reader.

Wireless keys

If the control panel is equipped with a wireless module, it is possible to send commands by wireless keys. The wireless keys manage 3 different programs .

1-2 - Functions

The system can be armed using the programs which can be defined either by the installer or the user in possession of the master code. The programs group the zones which are enabled for the detection of alarms on arming of the program. The programs can be singularly armed (one program at a time) or simultaneously (several programs at a time).

1-3 - Access level

The EN 50131-1 standard distinguishes 4 access levels:

Level 1 - Access of any subject (e.g. Direct viewing on the console or access by keystroke without enter a code).

Level 2 - Access of authorized users with code. The system recognizes standard user codes and one master code. Whereas the privileges of the standard user codes can be customized, the master code always has all the privileges.

Level 3 - Access to the installer. The access of the installer must be authorized by a user whit the access code of the level 2 (enabling by menu).

Level 4 - Access of the device manufacturer.

The minimum code length must be 5 digits.

The options (e.g. inputs programmed as key) which allow arming/disarming of the system without an adequate access control are not conform to the EN 50131-3 standards.

1-4 - Master level

The master level permits programming of the user functions of the control panel, activation/deactivation of the remote control and arming/disarming of all the system's programs.

To accede of the master level, enter the master code. The master code is programmed by default with the value: 12345.

Master menu:

Control by console

- Activation/deactivation of the remote controls
- Arming/disarming of the programs
- Partset of the programs
- Viewing of the event log
- Deletion of the alarm memory signaling of the control panel
- Abort of the telephone channels (abort of the telephone calls)

Programming by console

- Date and clock setting
- Definition of the zones to which the chime function is associated (signaling of the opening of a zone even with control panel disarmed)
- Creation and modification of the programs
- Programming of the timer for the automatic actions of the control panel and the access periods
- Customization of the telephone section parameters, composed by the integrated PSTN interface and the ESP GSM-GPRS and Tecnocell optional modules, as the telephone numbers for the emergency calls, test calls and call back.
- Modification of the master code and its functions
- Programming of the standard user codes and their functions
- Programming of the transponders/RFID cards and their functions
- Programming of the wireless keys and their functions
- Programming of the console functions
- Isolation of the zones
- Execution of the tests
- Programming of the options

1-5 - Standard user level

The standard user level does not permit any programming but only the execution of the functions such as arming/disarming of the system and activation/deactivation of the remote controls. To accede to the functions of the standard user level, enter one of the available user codes. These codes are defined and supervised by the owner of the master code.

Standard user menu:

Control by console

- Activation/deactivation of the remote controls
- Arming/disarming of the programs to which the code has been enabled
- Partset of the programs (if enabled)
- Viewing of the event log
- Deletion of the alarm memory signaling of the control panel
- Abort of the telephone channels (abort of the telephone calls)

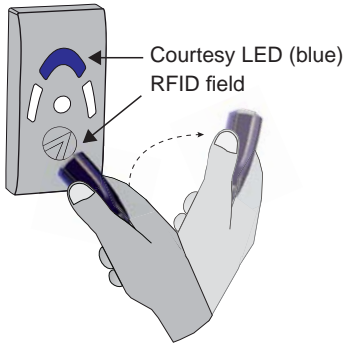
1-6 - Control by telephone

It is possible to execute some remote operations on the control panel, via telephone line. The telephone menu permits activation/deactivation of the remote controls, arming/disarming of the programs for which the code has been enabled, control of the RDV[®] zones and listening and recording of the opening message. To accede to the telephone menu, call the control panel and enter the access code (master or user).

When a code has been recognized, the control panel replies by listing the available

2 - TRANSPONDER READER

The ATPROX transponder reader permits arming/disarming of three programs defined by the installer. The reader has 3 signaling LED which indicate the status of the associated program and 1 yellow OGC LED which signals the status of the system.



Courtesy LED

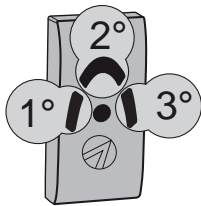
A blue LED is on as a courtesy light even if the reader is in stand-by (no program armed and no alarm active).

RFID field

The transponder is read when it is approached to the RFID field. When it is recognized as valid, the transponder LED blinks once.

Signaling LED

The ATPROX reader signals the program status with 3 LED and the general and tamper alarms of the system with a fourth LED.

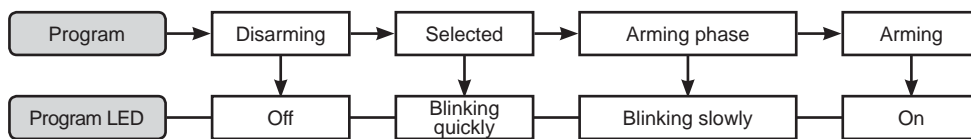


- First program (red color)*
- Second program (yellow color)*
- Third program (green color)*
- OCG (yellow color)

Program status signaling	
Off	Disarming
Blinking quickly	Arming phase
Blinking slowly	Partset
On	Arming

OCG LED General status signaling (yellow)	
Off	No alarm
Blinking slowly	Active alarm
On	Stored alarm

* The association of the program is executed by the installer



Program LED

The LED signals for the associated program the following states: disarming, arming phase, bypass and arming

- **Off - Disarming program**
- **Blinking quickly - Arming phase** of the program after the recognition of a valid key
- **Blinking slowly - Partset program**
- **On - Arming program**

OCG LED general status (yellow)

This LED indicates the presence of an alarm or a general failure of the system. The LED is activated in the following conditions: masking alarm of the wireless receiver, tamper alarm of a wireless device, false key, false code, failure of the telephone line, low battery and power failure (230V AC).

N.B. The general alarms are stored into the event log of the control panel with a detailed description.

- **Off - No alarm**
- **Blinking slowly - Active alarm**
- **On - Stored alarm**

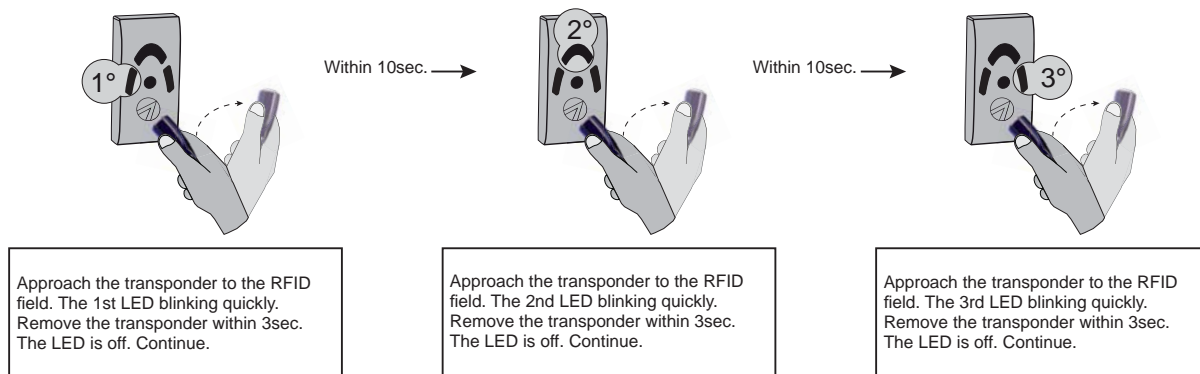
Use of the transponder

Below arming/disarming of the programs by transponder is explained.

Selection of the program to be armed

Approach the transponder to the RFID field. The first LED is blinking quickly. The blinking is switched off when the transponder is removed within 3 seconds. The reader is ready for the following selection.

Repeat the procedure for all the programs to be armed.



Arming of the program

Select the program to be armed. The corresponding LED is blinking quickly. When the blinking became slowly, it is possible to remove the transponder. The program is in arming phase. When the LED is on, the program is armed.

Disarming of the program

Approach the transponder to the RFID field. Wait until the LED is off and remove the transponder.

Failure signaling

The system constantly controls its functioning. The occurrence of a failure is immediately signaled. In case of active failure the OCG LED is blinking, at the end of the alarm, it is switched on permanently to signal that the alarm has been stored. The stored alarm signal continues until it is cancelled with the appropriated procedure. The failures are also stored into the event buffer of the system.

Arming with exclusion of the open zones

Only the enabled codes can arm a program excluding possible open zones. If the program has open zones, the yellow OCG LED is blinking (procedure described hereinafter).

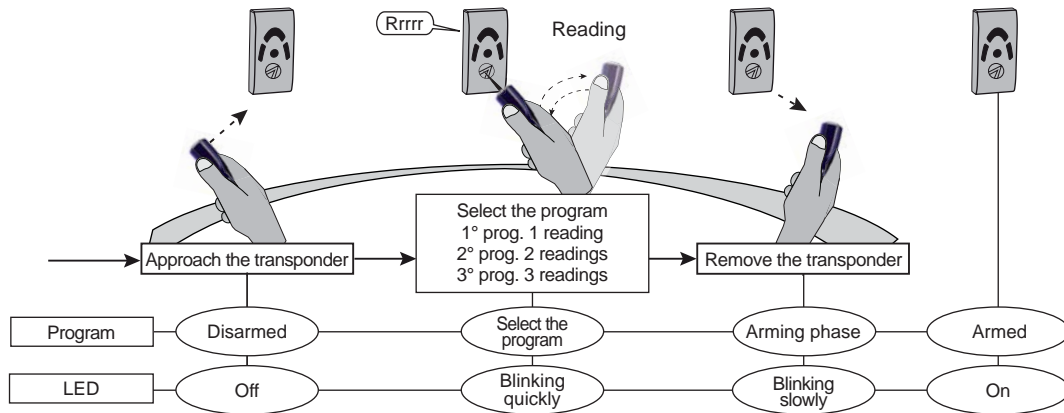
Bypass of an arming program

Only the enabled transponders can partset an arming program.

To partset a program, approach the transponder to the reader (procedure described hereinafter).

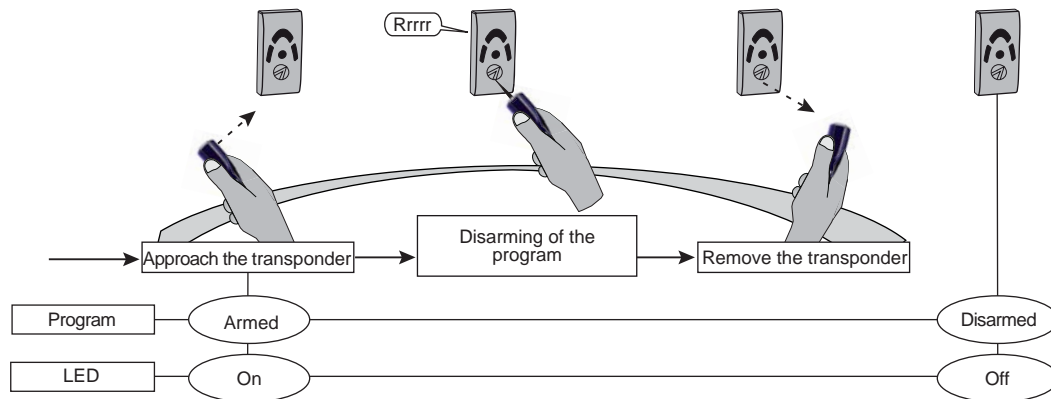
2-1 - Single arming

If the Single arming option is active, during the arming phase it is possible to arm only one program at a time. To select the desired program, repeat the reading as many time as necessary.



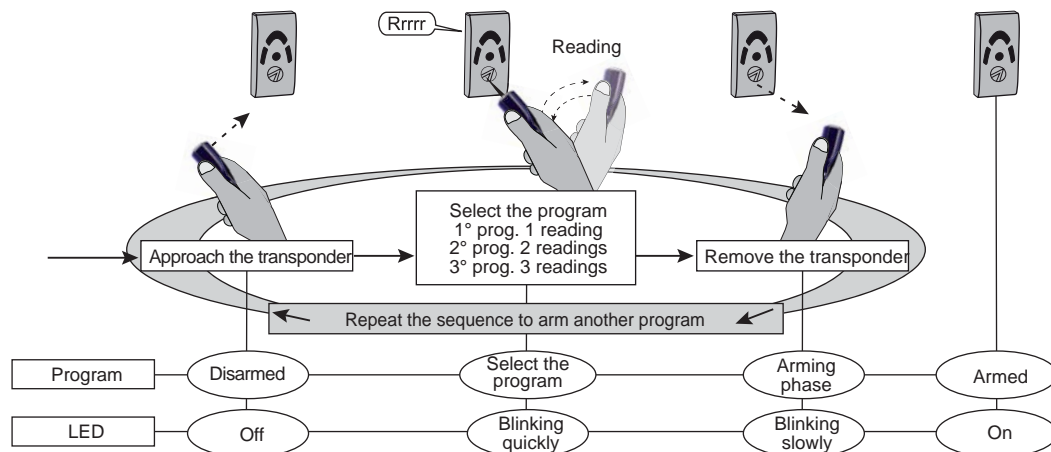
2-2 - Single disarming

If the Single arming option is active, during the disarming phase it is possible to disarm the program only with one reading of the transponder, i.e. approaching only one time the transponder to the RFID field.



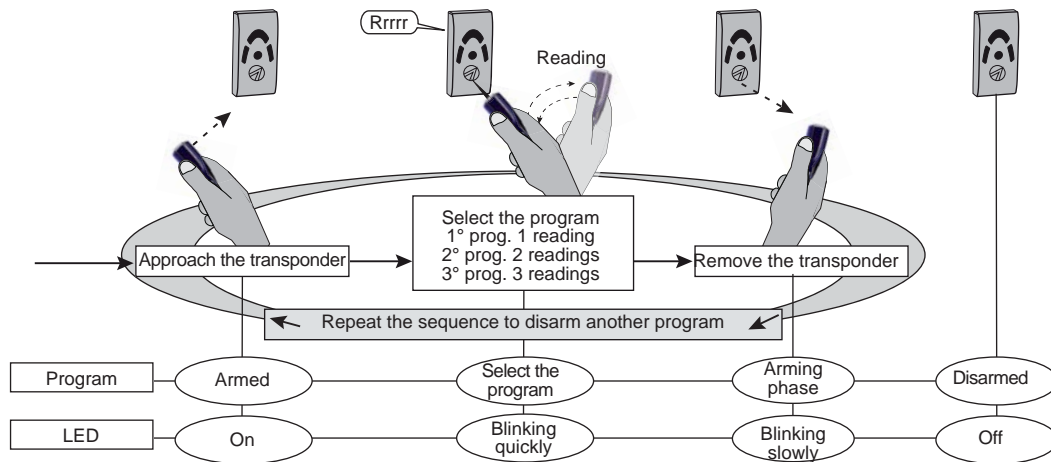
2-3 - Multiple arming

If the Single arming option is not active, during the arming phase it is possible to arm several programs. To select the desired program, repeat the reading as many time as necessary.



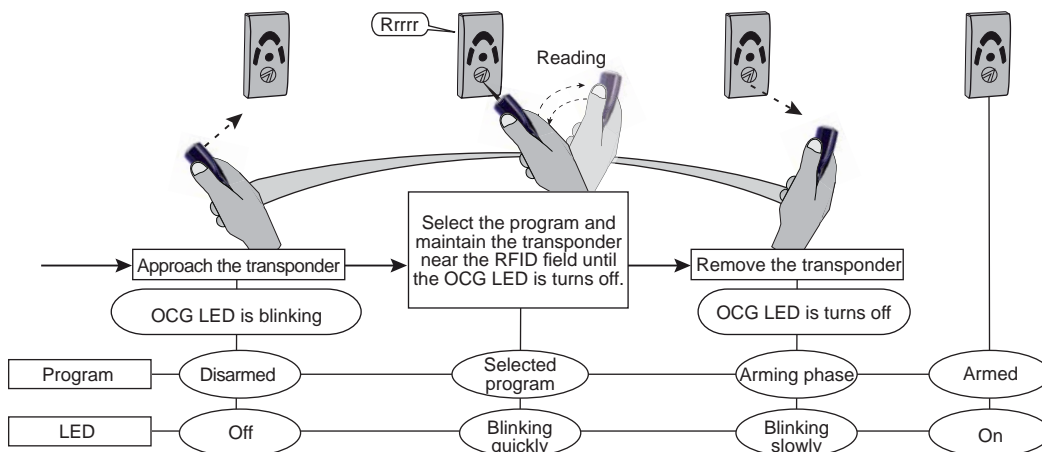
2-4 - Multiple disarming

If the Single arming option is not active and several programs are armed, you must select the program to be disarmed as described.



2-5 - Arming with exclusion of the open zones

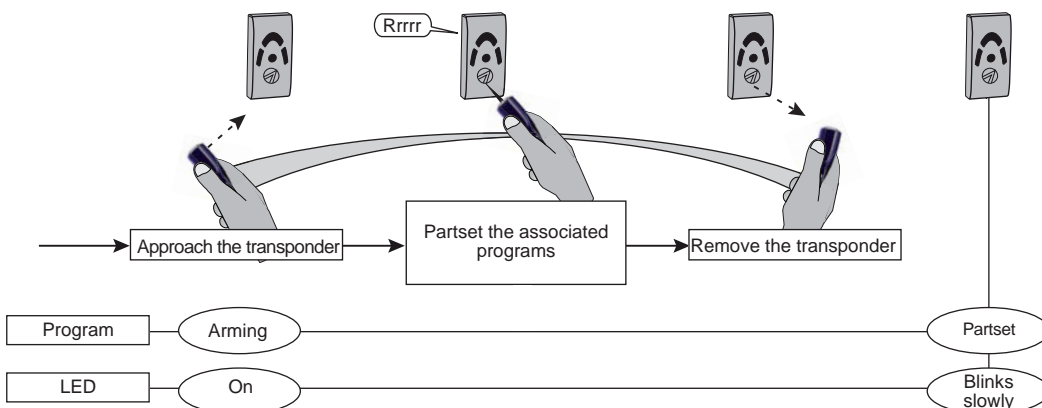
During the arming program, if there are open zones, the system activates an alarm (yellow OCG LED is blinking). In this case, exclude the open zones as described.



2-6 - Bypass of the armed programs

If the transponder is enabled it can partset a program.

N.B: The bypass of a program excludes the programmed zones from functioning.



3 - CONSOLES AND KEYPADS

3-1 - UTS 4.3 PROX

The console UTS 4.3 PROX permits arming/disarming of the programs, activation/deactivation of the remote controls and access to the programming menus of the system.

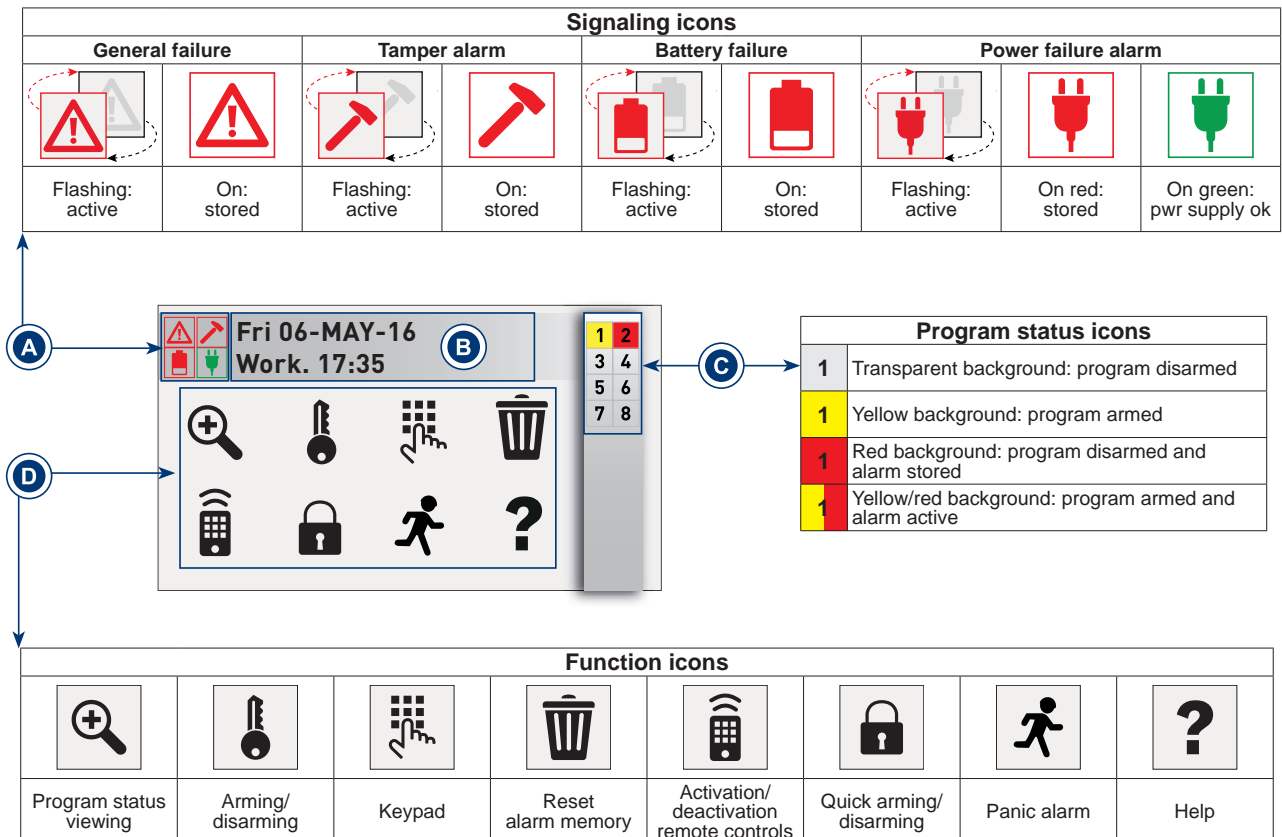
The console is equipped with 4.3" TFT multi-point capacitive touch screen, a bilingual voice synthesis function, a graphic help function and an RFID card reader. The console manages a total of 15 programs.




Areas of signaling


The start screen is divided into four areas which provide the following information:

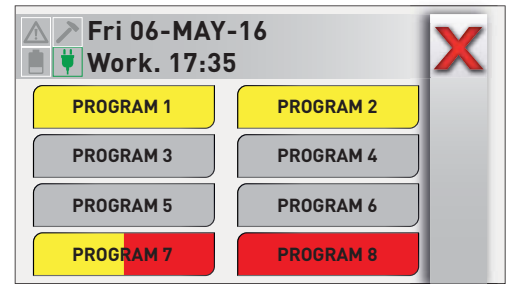
- A - Signaling icons - view power supply and battery status as well as possible tamper alarms and failures
- B - Display - views general information concerning system status as well as active functions and menus
- C - Program status icons - view the number and status of the programs managed by the console
- D - Function icons - permit quick access to the menus of the console.




Program status viewing


-  Touch the corresponding icon. The list of programs managed by the console is viewed. The background color signals the program status:
Transparent - program disarmed
Yellow - program armed
Red - program disarmed and alarm stored
Yellow/red - program armed and alarm active

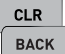
-  If you touch the program icon, the open zones (belonging to the program in question) are notified. If you touch the display area, the system status is notified.



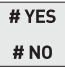
-  Touch the X to quit.


Arming/disarming

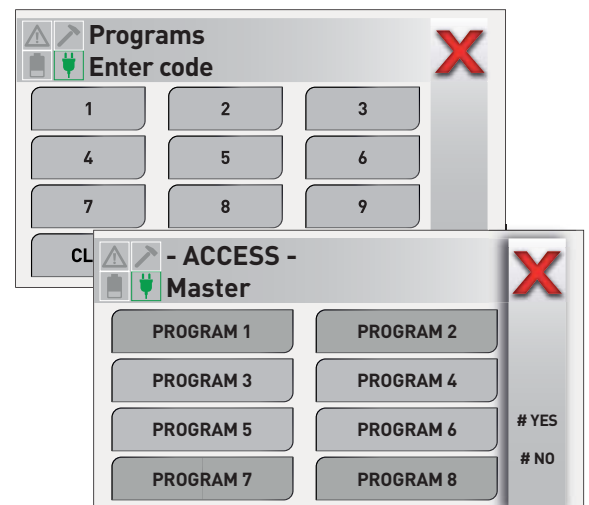
-  Touch the corresponding icon and enter your user code. Only the programs associated to the code can be armed or disarmed.

-  In case of error, touch the BACK icon to delete the last digit or CLR to delete the entire code.


Arming/disarming of one program
Touch the program icon.


-  **Arming/disarming of all the programs associated to the code**
Touch # YES for arming.
Touch # NO for disarming.


-  Touch the X to quit.

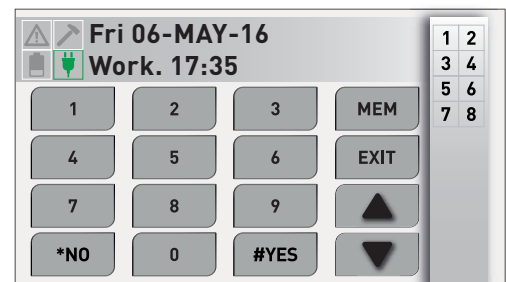


Keypad


-  Touch the corresponding icon. A standard keypad is viewed.


-  The standard keypad permits arming/disarming of the programs, activation/deactivation of the remote controls and gives access to the user menu. The use is reserved to expert users.


-  Touch the EXIT icon to quit or wait for automatic exit.

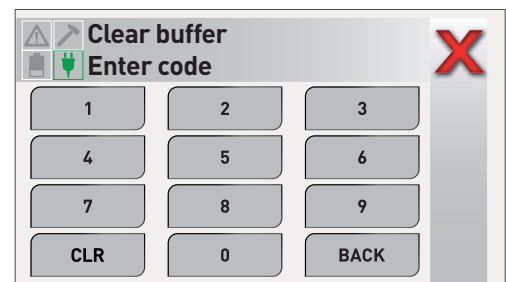



Reset alarm memory

-  Touch the corresponding icon and enter your user code.

-  In case of error, touch the BACK icon to delete the last digit or CLR to delete the entire code.

-  Touch the X to quit.



-  **N.B.** The signaling of stored tamper alarm can only be deleted by the installer.

Activation/deactivation remote controls



Touch the corresponding icon and enter your user code.



In case of error, touch the BACK icon to delete the last digit or CLR to delete the entire code.



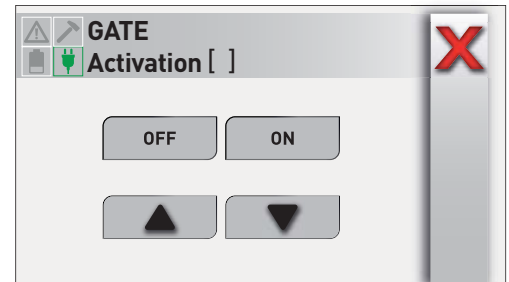
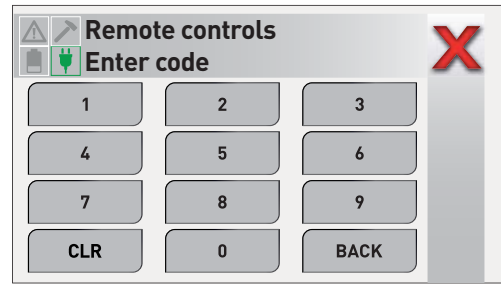
Selection of the remote control
Touch the arrow up or down icon.



Activation/deactivation of the remote control
Touch the ON or OFF icon.



Touch the X to quit.



Quick arming/disarming



Touch the corresponding icon followed by the icon of the program to be armed/disarmed.



Touch the X to quit or wait for automatic exit.



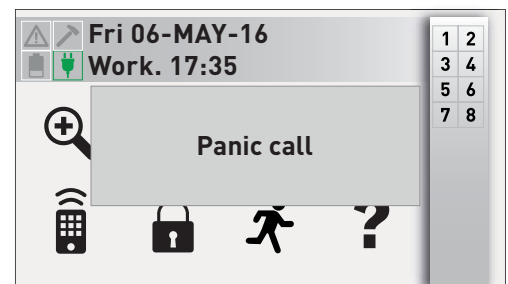
Panic alarm



Touch the corresponding icon and keep it pressed for approximately 3 seconds.
The activation of the panic alarm is confirmed by the message "Panic call" viewed on the screen.



The panic alarm activates the phone calls the installer has programmed for this event. The execution of these calls cannot be interrupted.



Help



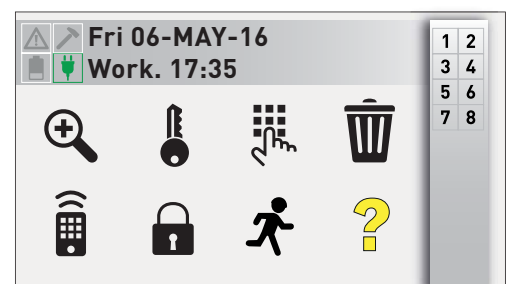
Touch the question mark icon.
The icon becomes yellow.



If you touch the icons or the areas of signaling on the screen, bubbles are viewed which explain the functions and meanings.
While the help function is active, the functions of the console are blocked.

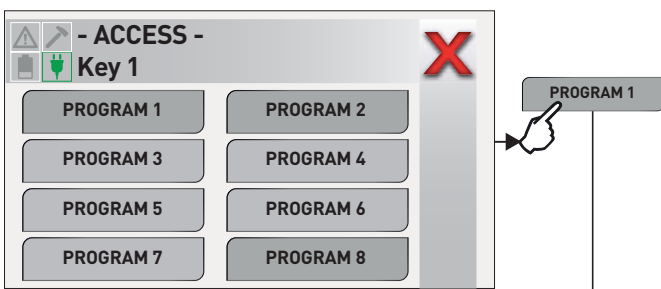


Touch the question mark icon again to quit.

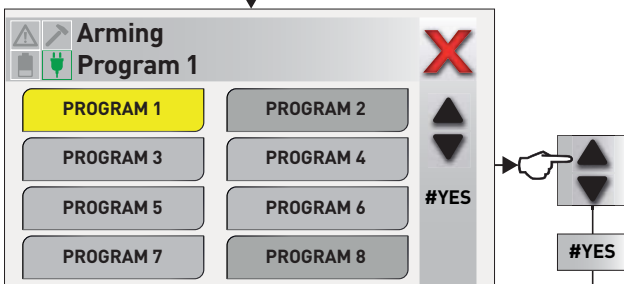


Use of the transponder

- A Approach the transponder to the RFID field. The list of programs managed by the transponder is viewed.



Touch the icon of the program to be armed. The icon starts flashing yellow indicating that the arming phase of the program has started.

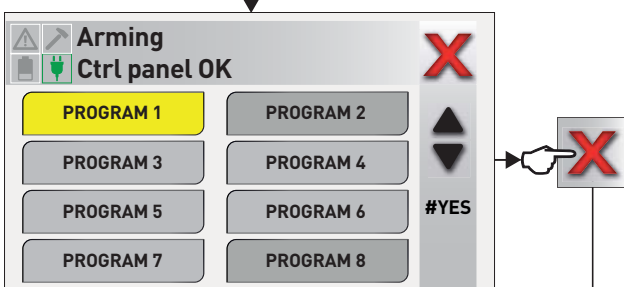


Exclusion of open zones

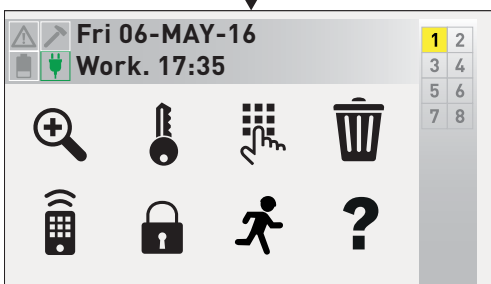
During the arming phase, it is possible to exclude the open zones.

Select the zones using the arrows up or down icons and confirm with #YES.

On expiry of the arming phase, the icon is lit to indicate that the program is armed.



Touch the X to quit or wait for automatic exit. The console returns to the initial screen.





The background of the program status icon will be yellow.


3-2 - LCD300/S

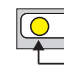
The LCD300/S console permits arming and disarming of the system's programs, activation and deactivation of the remote controls and gives access to the programming menus of the system.

The console is equipped with two groups of LED: the first one, below the display, is composed of 6 LED that provides general trouble and status signaling. The second group, below the keys, is composed of 15 pairs of LED and views the program states and alarms.


 Trouble (yellow LED)	
Off	No trouble
Blinking quickly	Active trouble
Blinking slowly	Active GSM trouble
On	Stored trouble


 CM - Command mode (green LED)	
Off	Console not in use
On	Console in use


 Tamper alarm (red LED)	
Off	No alarm
Blinking slowly	Active alarm
On	Stored alarm

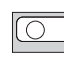
 Program status (yellow LED)	
Off	Program disarmed
Blinking quickly	Arming phase
Blinking slowly	Program partset
On	Program armed



 Battery status (yellow LED)	
Off	Battery OK
Blinking	Low battery
On	Battery fault

 Power failure alarm (yellow LED)	
Off	No alarm
Blinking	Active alarm
On	Stored alarm

 Mains voltage (green LED)	
Off	Mains voltage absent
On	Mains voltage present

 Program alarm (red LED)	
Off	No alarm
Blinking	Alarm active
On	Stored alarm

Signaling LED

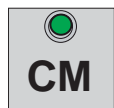


Trouble LED

The system constantly controls its functioning. Any trouble is immediately signaled. In case of active trouble the LED is blinking, at the end of the alarm, it is switched on permanently to signal that the alarm has been stored. The stored alarm signal continues until it is cancelled with the appropriated procedure. The troubles are also stored into the event buffer of the system.

Blinking quickly - Trouble of the system's GSM module

Blinking slowly - General trouble of the system



CM LED

The CM LED (command mode) is lit as soon as the user starts typing on the keys. It is lit during the entire access time and during 10 seconds after the last keystroke. When the LED is switched off, the user must enter the access code again to have access to the console.



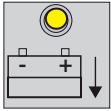
Tamper alarm LED

The LED signals the tamper alarms of the system. The system's anti-tamper protection is always active and is independent from the program status.

Off - No tamper alarm

Blinking - Active tamper alarm

On - Stored alarm. The stored alarm signal continues until it is cancelled with the appropriated procedure



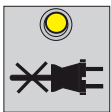
Battery status LED

The LED signals the status of the system's battery.

Off - Battery OK

Blinking - Low battery

On - Battery fault, i.e. the battery is no longer able to support the system.



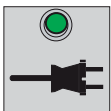
Power failure alarm LED

The LED signals the failure of mains power (230V AC).

Off - No alarm (mains power OK)

Blinking - Active power failure alarm

On - Stored alarm. The stored alarm signal continues until it is cancelled with the appropriated procedure

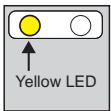


Mains voltage LED

The LED signals the presence of mains voltage (230V AC).

Off - Mains voltage absent

On - Mains voltage present



Program status LED

The LED signal the following states of each program: disarmed, arming phase, armed and partset.

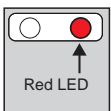
During the 10 seconds arming phase of the program, the corresponding LED is blinking quickly and it is possible to arm/disarm other programs and exclude the open zones from the alarm detection.

Off - Program disarmed

Blinking quickly - Arming phase of the program (10 seconds)

Blinking slowly - Program partset

On - Program armed



Program alarm LED

The alarm is only signaled if the program is armed.

Off - No alarm program


Blinking - Active program alarm


On - Stored alarm. The signal of stored alarm continues until the following arming


3-3 - LCDPROX1

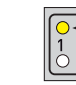
The LCDPROX1 console permits arming and disarming of the system's programs, activation and deactivation of the remote controls and gives access to the programming menus of the system.


The console is equipped with two groups of LED: the first one, situated on the right of the display, is composed of 7 LED which provide general trouble and status signaling. The second group, on the left of the keys, is composed of 8 pairs of LED and views the program status.





 Trouble (yellow LED)	
Off	No trouble
Blinking quickly	Active trouble
Blinking slowly	Active GSM trouble
On	Stored trouble

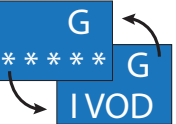
 CM - Command mode (green LED)	
Off	Console not in use
On	Console in use

 Tamper alarm (red LED)	
Off	No alarm
Blinking slowly	Active alarm
On	Stored alarm


 Program status (yellow LED)	
Off	Program disarmed
Blinking quickly	Arming phase
Blinking slowly	Program partset
On	Program armed


 Program status signaling	
The display shows eight icons indicating as many programs.	
The icon is only viewed if the corresponding program is armed.	


Trouble and tamper icons			
	Low battery		General alarm
	Tamper		Power failure


Provider and signal power signaling	
	The display views the name of the provider and quality of the available signal. Both information are alternately viewed.
N.B. This function is only available for control panels with GSM interface	

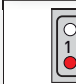


 Battery status (yellow LED)	
Off	Battery OK
Blinking	Low battery
On	Battery fault

 Power failure alarm (yellow LED)	
Off	No alarm
Blinking	Active alarm
On	Stored alarm

 Mains voltage (green LED)	
Off	Mains voltage absent
On	Mains voltage present

 Transponder (blue LED)	
Off	No transponder read and recognized
Blinks once	Transponder read and recognized

 Program alarm (red LED)	
Off	No alarm
Blinking	Alarm active
On	Stored alarm

Signaling LED and icons

The LCDPROX1 console signals the system status through LED and specific icons which are viewed on the right hand side of the display. There are two groups of icons which are displayed alternately according to the operating mode. The first group of icons represents the programs and for each of them indicates the following states: armed, disarmed, partset and arming phase. The second group signals trouble (general alarm) and tamper. The icons are only displayed if a trouble occurs.

Warning: In case of simultaneous signaling, the program status icons always have priority over the trouble icons.



Trouble LED

The system constantly controls its functioning. The occurrence of a trouble is immediately signaled. In case of active trouble the LED is blinking, at the end of the alarm, it is switched on permanently to signal that the alarm has been stored. The stored alarm signal continues until it is cancelled with the appropriated procedure. The troubles are also stored into the event buffer of the system.

- Blinking slowly - General trouble of the system
- Blinking quickly - Trouble of the system's GSM module



CM LED

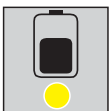
The CM LED (command mode) is lit as soon as the user starts typing on the keys. It is lit during the entire access time and during 10 seconds after the last keystroke. When the LED is switched off, the user must enter the access code again to have access to the console.



Tamper alarm LED

The LED signals the tamper alarms of the system. The system's anti-tamper protection is always active and is independent from the program status.

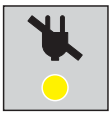
- Off - No tamper alarm
- Blinking - Active tamper alarm
- On - Stored alarm. The stored alarm signal continues until it is cancelled with the appropriated procedure.



Battery status LED

The LED indicates the status of the system's battery.

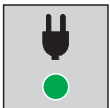
- Off - Battery OK
- Blinking - Low battery
- On - Battery fault, i.e. the battery is no longer able to support the system



Power failure alarm LED

The LED signals the failure of mains power (230V AC).

- Off - No alarm (mains power OK)
- Blinking - Active power failure alarm
- On - Stored alarm. The stored alarm signal continues until it is cancelled with the appropriated procedure.



Mains voltage LED

The LED signals the presence of mains voltage (230V AC).

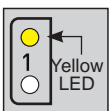
- Off - Mains voltage absent
- On - Mains voltage present



Transponder LED

The LED signals that a transponder has been read and recognized by the integrated reader.

- Off - No transponder read or recognized
- Blinking once - Transponder read and recognized

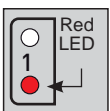


Program status LED

The LED signal the following states of each program: disarmed, arming phase, armed and partset.

During the 10 seconds arming phase of the program, the corresponding LED is blinking quickly and it is possible to arm/disarm other programs and exclude the open zones from the alarm detection.

- Off - Program disarmed
- Blinking quickly - Arming phase of the program (10 seconds)
- Blinking slowly - Program partset
- On - Program armed



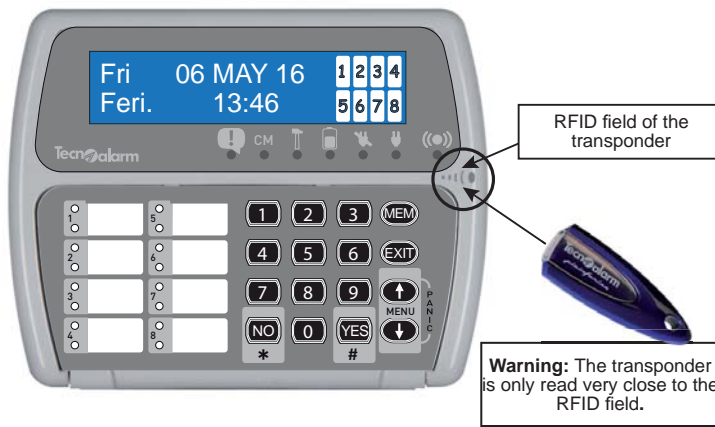
Program alarm LED

The alarm is only signaled if the program is armed.

- Off - No alarm program
- Blinking - Active program alarm
- On - Stored alarm. The signal of stored alarm continues until the following arming.

Use of the transponder

Since the LCDPROX1 console is equipped with a transponder reader, it also permits arming and disarming the programs using a transponder instead of the access code. The procedure is explained below.



Managed programs

The console permits arming/disarming of the programs defined by the installer.

Reading of the transponder

The transponder is read as soon as it is approached to the RFID field of the console. When the transponder is recognized as valid, the transponder LED blinks once.

Arming of the program with transponder		
A Approach the transponder to the RFID field. Verify that the blue LED blinks once (transponder recognized). Remove the transponder.		
B Select the program/s to be armed		
C Press YES to confirm and quit		

Arming

Arming is made in three phases:
A - Reading of the transponder
B - Selection of the programs to be armed
C - Confirmation

Disarming of the program with transponder		
A Approach the transponder to the RFID field. Verify that the blue LED blinks once (transponder recognized). Remove the transponder.		
B Select the program/s to be disarmed		
C Press YES to confirm and quit		

N.B. The recognition of a valid transponder automatically switches off the program alarms without entering the corresponding program number

Disarming

Disarming is made in three phases:
A - Reading of the transponder
B - Selection of the programs to be disarmed
C - Confirmation

N.B. The "Disarming confirmation" functions only if activated by the installer.

Confirmation of disarming (blocking of hold-up alarm)		
A Approach the transponder to the RFID field. Verify that the blue LED blinks once (transponder recognized). Remove the transponder.		
B Select the program/s to be disarmed		
C Press YES to confirm and quit		
D Confirm disarming within the programmed Disarming confirmation delay by entering a valid user code (see note)		

N.B. If the user code is not entered during the programmed Disarming confirmation delay, a hold-up alarm is released.
N.B. The Confirmation of disarming only functions if the transponder has been programmed with this attribute.

Disarming confirmation

The disarming confirmation is made in four phases:
A - Reading of the transponder
B - Selection of the programs to be disarmed
C - Confirmation
D - Confirmation of disarming with access code

3-4 - DIGITEX

The DIGITEX is a keypad with touch-sensitive steal membrane for outdoor mounting. The grazing keypad lighting is generated by LED light strips. The keypad manages a total of 4 programs. The optical and acoustic system status signaling is provided by a buzzer and 7 signaling LED.

Time out

All operations executed on the keypad, whether these regard the control, maintenance or programming of the system, are subject to a maximum access time of 10 seconds. The time is automatically reset on each keystroke. After 10 seconds, the keypad automatically quits the command mode. The green CM LED is lit on keystroke and it is switched off on expiry of the time out.

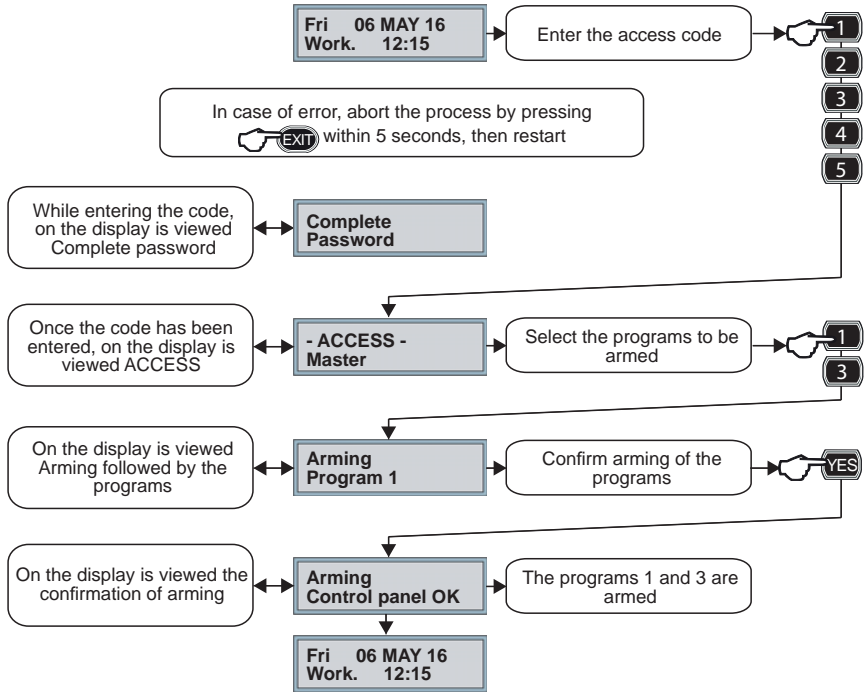


Signaling LED			
LED	Color	Status	Signaling
CM (Command Mode)	Green	Off	No key has been pressed in 10s
		On	A key has been pressed
Failure/Tamper failure	Red	Off	No alarm
		Flashing	Alarm active
		On	Alarm stored
Zone alarm	Yellow	Off	No alarm
		Flashing	Alarm active
		On	Alarm stored
Program status	Yellow	Off	Program disarmed
		Flashing quickly	Arming phase (10s)
		Flashing slowly	Program partset
		On	Program armed

4 - MANAGEMENT WITH CODE

4-1 - Arming

It is possible to select which programs to arm.

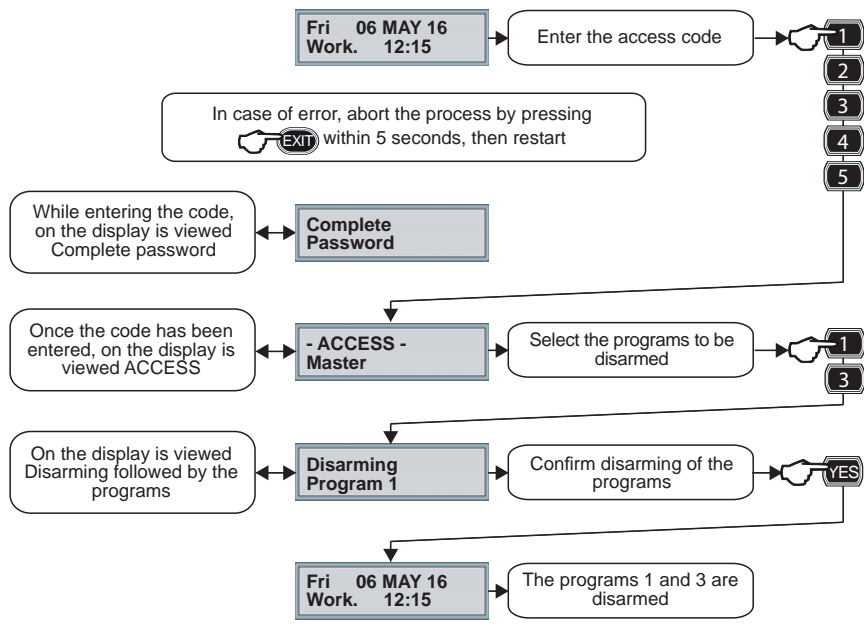


Arming is made in three phases:

- A -** Entering of the code
- B -** Selection of the programs to be armed
- C -** Confirmation

4-2 - Disarming

It is possible to select which programs to disarm.

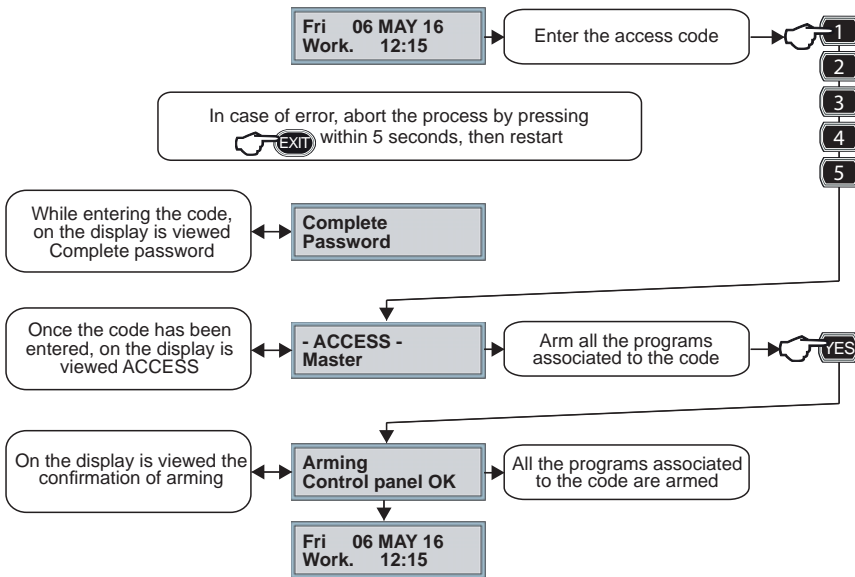


Disarming is made in three phases:

- A -** Entering of the code
- B -** Selection of the programs to be disarmed
- C -** Confirmation

4-3 - Direct arming

It is possible to simultaneously arm all the programs associated to the code.



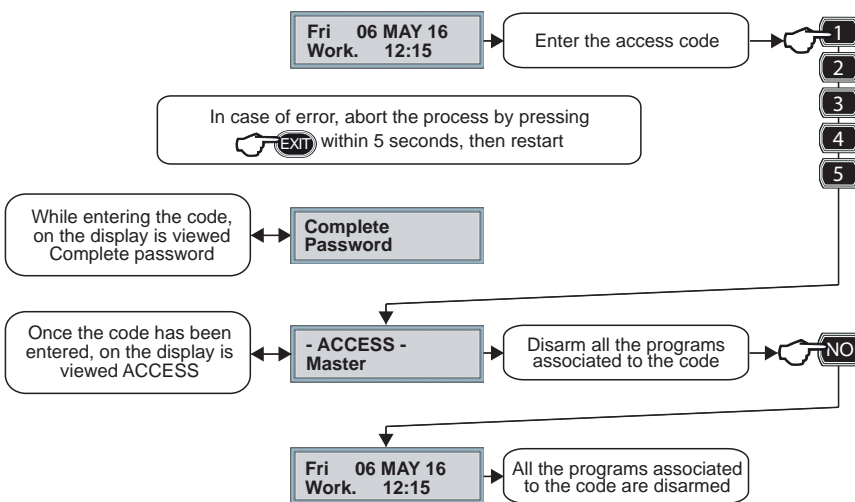
Arming is made in two phases:

A - Entering of the code

B - Confirmation

4-4 - Direct disarming

It is possible to simultaneously disarm all the programs associated to the code.



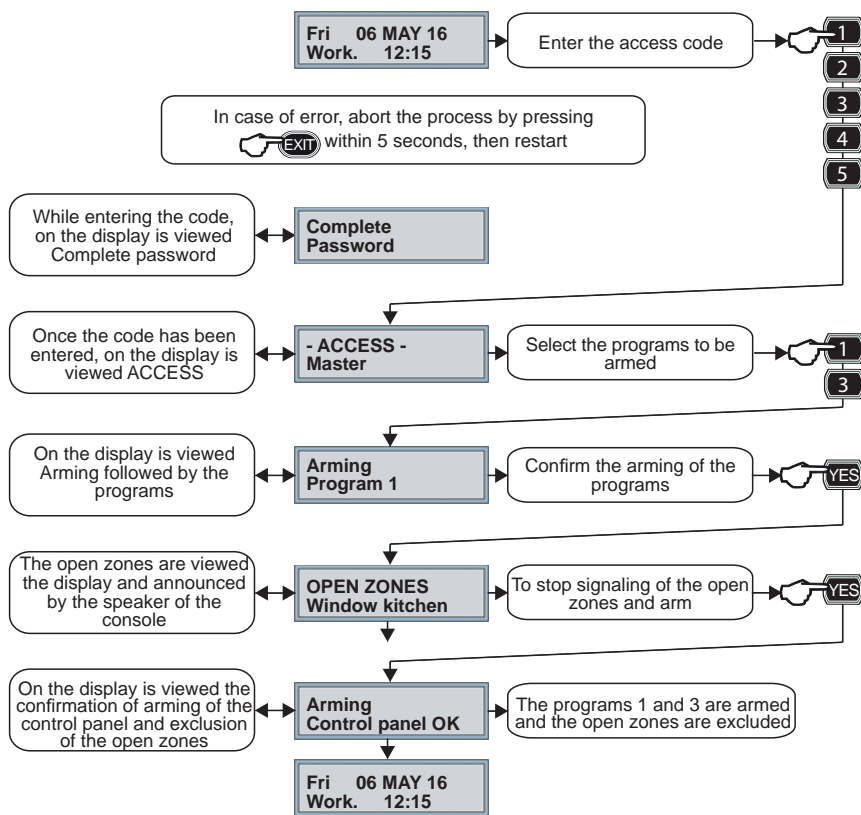
Disarming is made in two phases:

A - Entering of the code

B - Confirmation

4-5 - Arming with exclusion of the open zones

Only the codes enabled for the zone exclusion function can arm a program excluding possible open zones. The procedure is described considering the conventional arming which permits the selection of the programs to be armed.

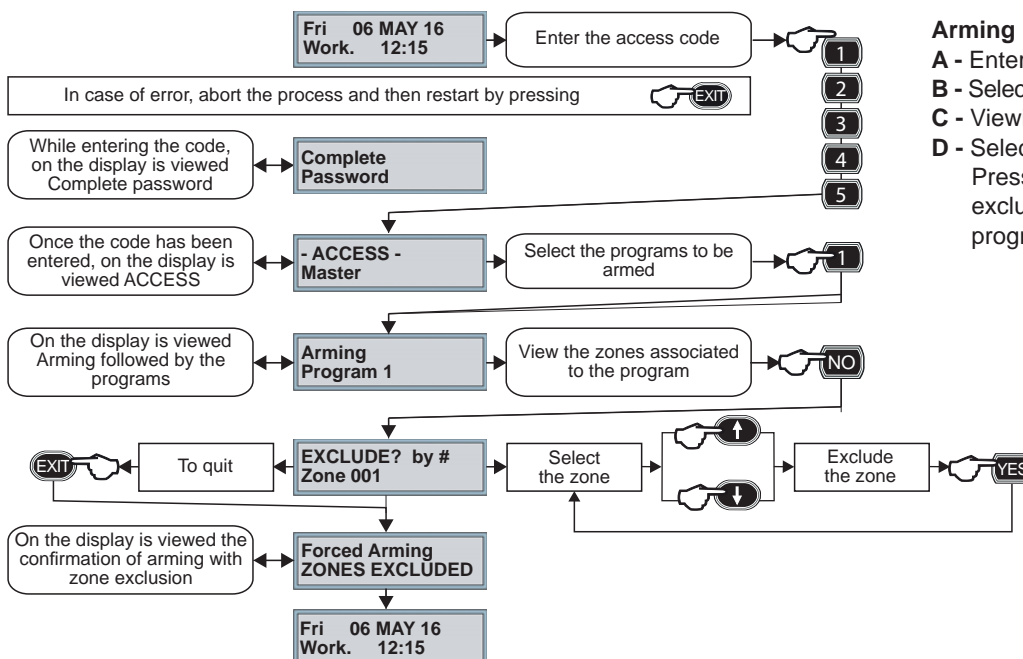


Arming is made in four phases:

- A - Entering of the code
- B - Selection of the programs to be armed
- C - Confirmation
- D - The console signals the open zones acoustically and visually. Press the YES key again to stop all the signaling. The selected programs are armed and the open zones are excluded.

4-6 - Arming with voluntary exclusion of zones

Only the codes enabled for the zone exclusion function can arm a program excluding manually some of the associated zones. The procedure is described considering the conventional arming which permits the selection of the programs to be armed.

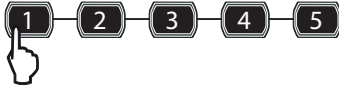


Arming is made in four phases:

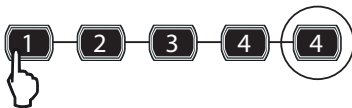
- A - Entering of the code
- B - Selection of the program to be armed
- C - Viewing of the associated zones
- D - Selection of the zones to be excluded
Press the EXIT key to confirm the exclusion and arm the selected program.

4-7 - Hold-up alarm activation

Only the enabled codes can activate a hold-up alarm. Under duress, it is possible to disarm the system apparently and activate the programmed hold-up signaling by reducing by one unit the last digit of the code.



For example, if the access code is 12345, to release the hold-up alarm, enter 12344.



4-8 - Panic alarm activation

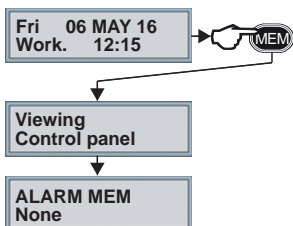
At any time, whether the system is armed or disarmed (the program status is not relevant), it is possible to release a panic alarm and activate the programmed signaling.



To release a panic alarm, press the arrow up and down keys simultaneously.

4-9 - Consultation of the stored alarms

The console views all the alarms which have occurred during the last arming session. The stored alarms are viewed until the next arming of a program. As soon as any of the programs is armed, the memory is automatically reset to memorize the events of the new functioning session.

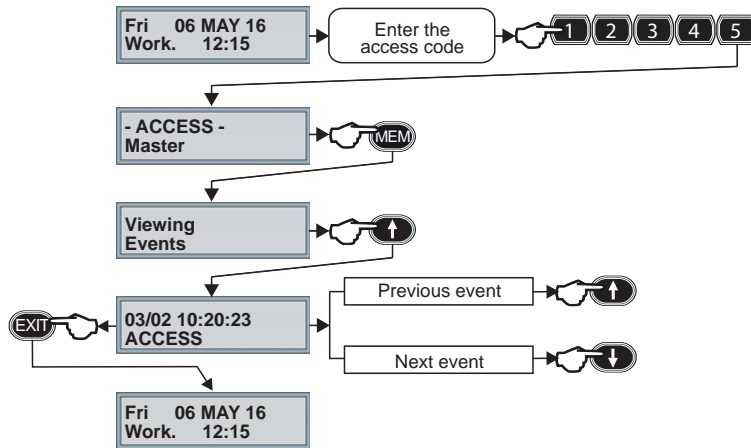


Consultation of the stored alarms

To consult the memory, press MEM
 If the memory is empty, on the display is viewed "None".
 If the memory contains alarms, they are displayed in sequence one at a time.

4-10 - Consultation of the event log

The control panel stores all the events regarding functioning, management and alarms in its event buffer. The storage capacity depends on the control panel. Once the memory is full, for every new event the oldest one is overwritten.

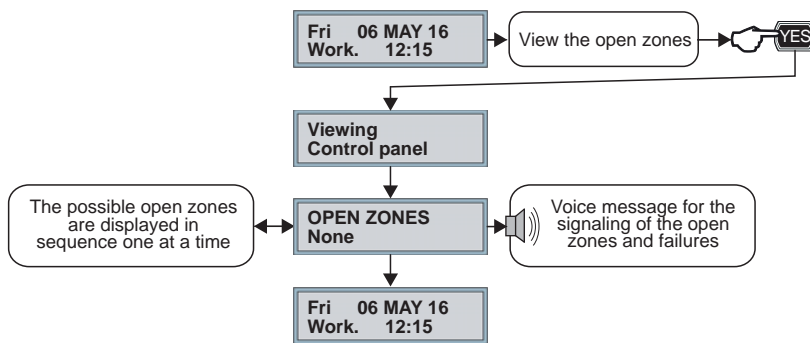


Consultation of the event log

- Enter the access code
- Press MEM
- Press the arrow key
- Use the arrow keys to consult the events
- For each event the date and hour of occurrence are stored
- The second line of the display shows the description of the event
- Press EXIT to quit the event log.

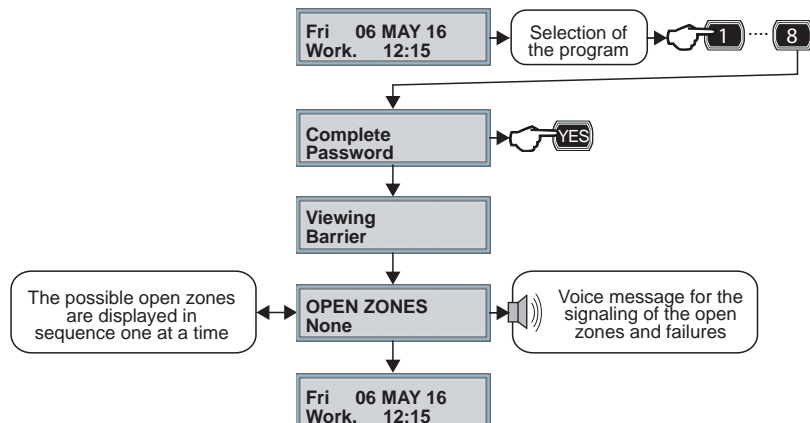
4-11 - Consultation of the open zones

The consultation of the open zones by indication on the display of the console is essential to quickly identify the origin of the signaling and therefore to close the zones which are indicated as opened. At any time, the user can control if there are open zones. It may do it either for all the system or for one program.



Consultation of the open zones of the system

- It is possible to indicate all the open zones of the system without considering to which program they are associated.
- To view the open zones, press YES.
- If the system has no open zones, on the display is viewed "None".
- If the system has the open zones, they are displayed in sequence one at a time and announced by the speaker.
- N.B.:** The voice synthesis is only managed by the LCD300/S and UTS consoles.



Consultation of the open zones of a program

- It is possible to indicate all the open zones that belong to a determined program.
- To display all the open zones of a program, enter the number of the program to consult and press YES.
- If the program has no open zones, on the display is viewed "None".
- If the program has the open zones, they are displayed in sequence one at a time and announced by the speaker.
- N.B.:** The voice synthesis is only managed by the LCD300/S and UTS consoles.

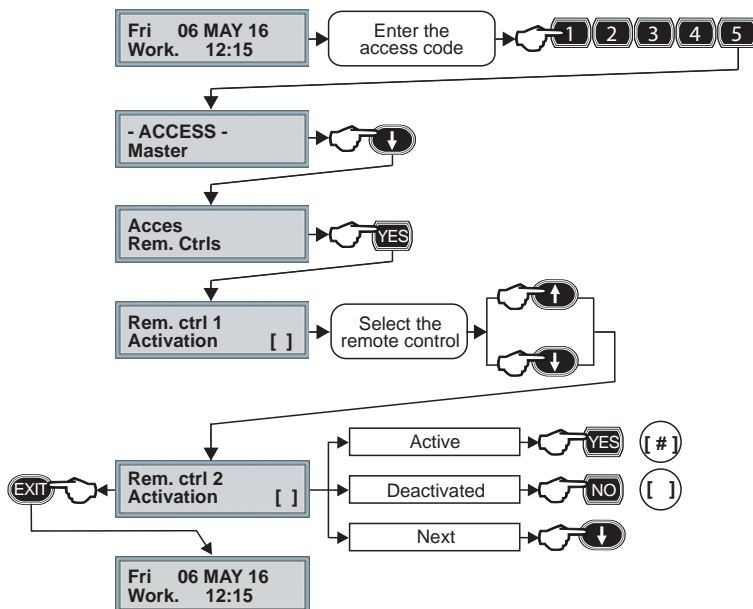
4-12 - Remote controls

The system is equipped with remote controls to each of them the installer can assign a function. The users can activate/deactivate the remote controls. According to programming, the access to the remote controls may be by code or direct (without entering a code).



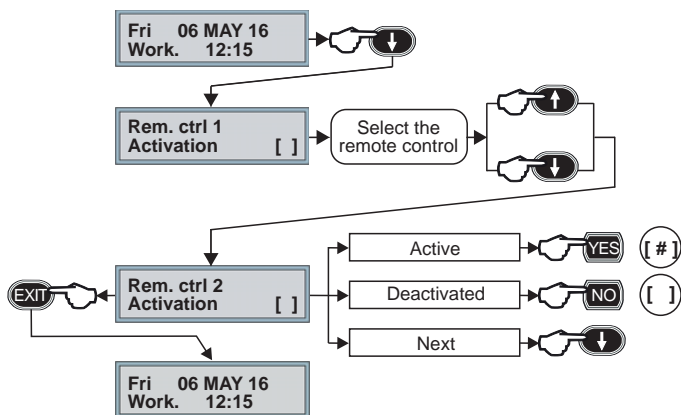
Viewing of the remote control status

The status of the remote control is indicated in the parentheses: if the hash sign (#) is viewed, the remote control is activated, otherwise the remote control is not enables (it is in stand-by).



Access by code

Enter the master code (e.g. 12345) to accede to the Remote control menu. Press the arrow down key. Press YES to confirm. The status of the remote control 1 is displayed. Select the remote control with the arrow keys. Check the status of the remote control. Press YES to activate the remote control. Press NO to deactivate the remote control. Select another remote control o press EXIT to return to the mains menu.



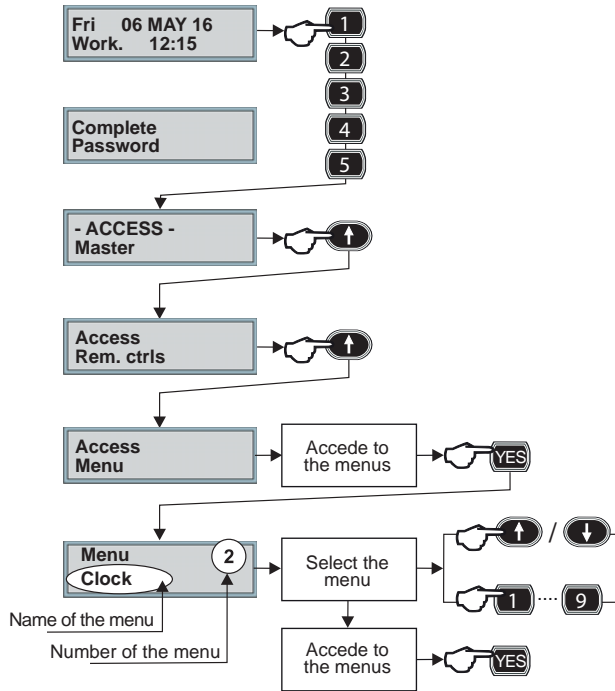
Direct access

When the console is in stand-by (date and time displayed), press the arrow down key to accede to the Remote control menu. The status of the remote control is displayed. Select the remote control with the arrow keys. Check the status of the remote control. Press YES to activate the remote control. Press NO to deactivate the remote control. Select another remote control o press EXIT to return to the mains menu.

Warning: The direct access is only possible if the Quick menu function has been enabled by the installer.

5 - PROGRAMMING

The possessor of the master code can accede to some programming menus of the system from any console. The access to one of the consoles automatically puts all the others in stand-by, i.e. they are disabled instead of display the date and time they display "STAND-BY".

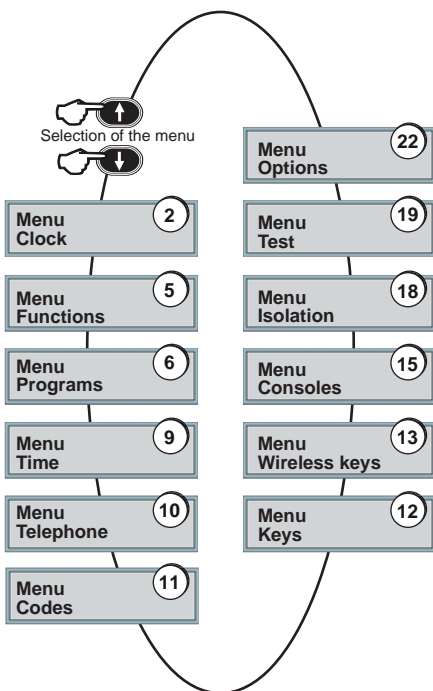


Access to programming by master code

Follow the operation sequence indicated by the beside image.
1 - Enter the master code
 The code length may be 4, 5 or 6-digits and depends on programming.
 The user can modify its code but not the length.
2 - Select Access menu with the arrow keys
3 - Confirm with YES

Selection of the menu

Each menu is identified by a number which is viewed on the first line to the right of the display and a name viewed on the second line.
 The first menu displayed is the Clock menu.
 It is possible to select the desired menu either by the arrow keys which allow scrolling the menus or by entering the number of the corresponding menu for a direct access. Press YES to confirm.

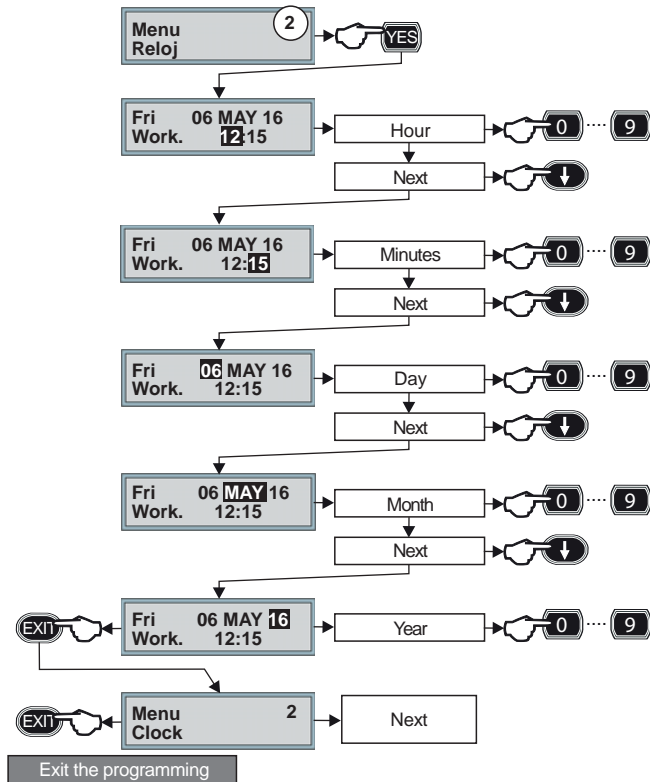


List of the menus

The beside image indicates the sequence of the programming menu viewing of the control panel.

5-1 - Clock menu

The Clock menu corresponds to the **menu 2** and permits the adjustment of the date and time. The day of the week and the type of the day (workable or holiday) are automatically modified by the system according to the programmed date.



Programming of date and time

Change the time using the numerical keys when the numbers are blinking.

Move the cursor with the arrow down key and, when the numbers are blinking, change the minutes using the numerical keys.

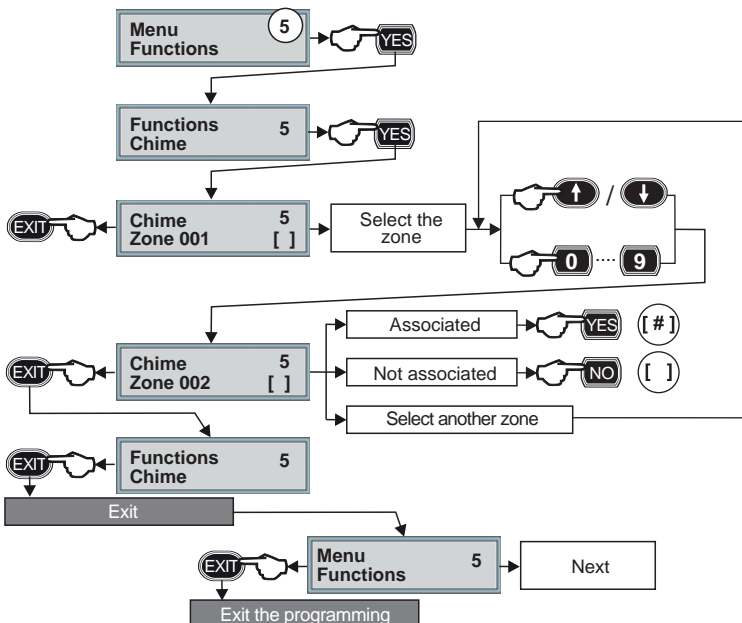
Repeat the same procedure to change the days, months and years.

Press EXIT to return to the mains menu.

Select another menu or press EXIT again to exit the programming.

5-2 - Function menu

The Function menu corresponds to the **menu 5** and permits enabling/disabling of the zones to the Chime function. When a zone detects an alarm, the control panel activates the programmed acoustic signaling even with the control panel disarmed.



Chime function

The Chime function allows to define a zone or a group of zones for which a buzzer is triggered each time they are opened with the control panel disarmed.

Warning: This function is active only if the system is disarmed.

Select the Chime function and press YES to confirm. Select the zone to be associated to the Chime function using either the arrow keys or the numerical ones. Press YES to enable the zone to the Chime function. Press NO to disable the zone to the Chime function. Repeat the procedure to enable other zones to the Chime function.

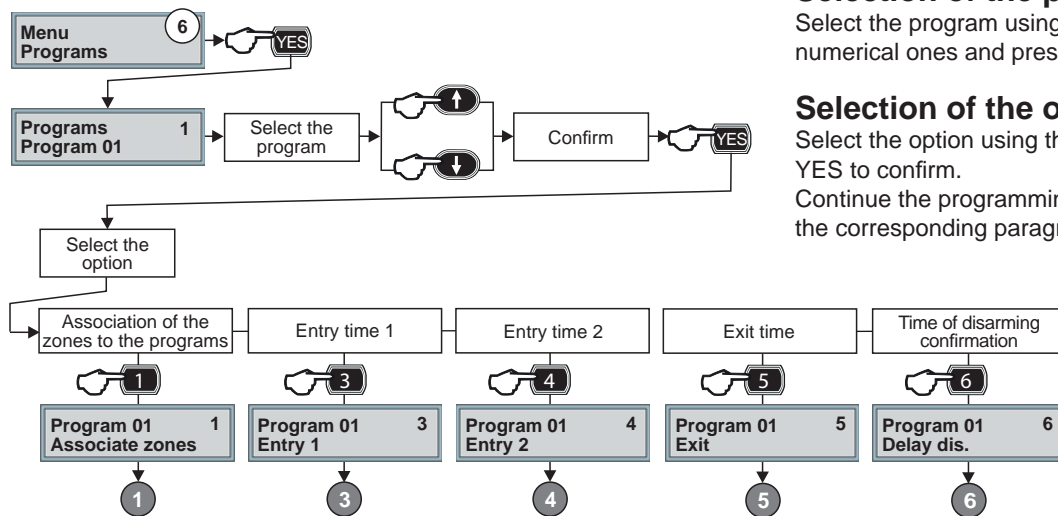
Press EXIT twice to exit the Function menu y return to the mains menu.

Select another menu or press EXIT again to exit the programming.

5-3 - Program menu

The Program menu corresponds to the **menu 6** and permits programming of the programs of the control panel. The 5 options are identified by a name and number (see the table).

Option	Description
1	Associate zones
3	Entry 1
4	Entry 2
5	Exit
6	Delay dis.



Selection of the program

Select the program using either the arrow keys or the numerical ones and press YES to confirm.

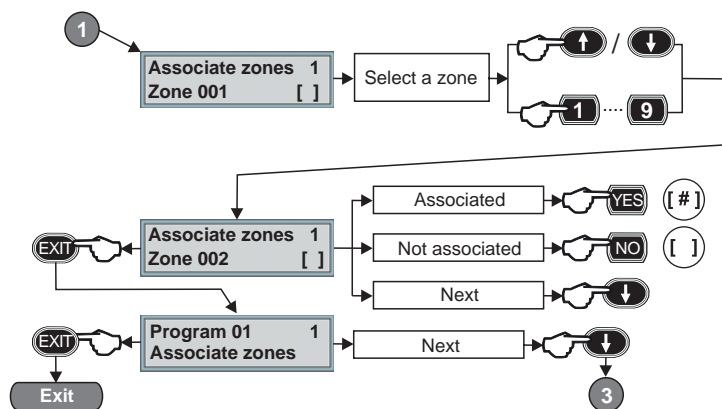
Selection of the option

Select the option using the numerical keys and press YES to confirm.

Continue the programming following the instructions of the corresponding paragraph (1, 2, 3, 4, 5).

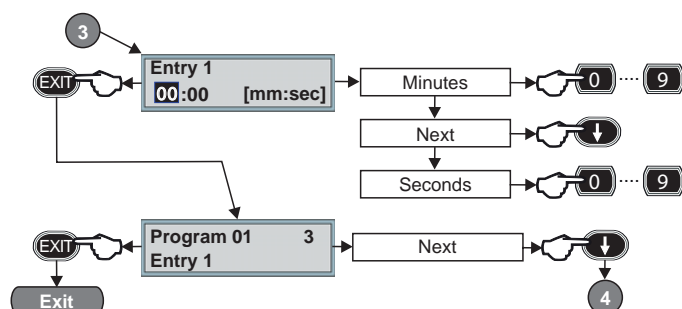
1 - Associate zones

Press 1 to select the option and YES to confirm. Select the zone to be associated to the program using either the arrow keys or the numerical ones. Press YES to confirm the association. Press NO to cancel the association. Repeat the procedure for all the zones to be associated to this program. Press EXIT once to select another option. Press EXIT again to select another program.



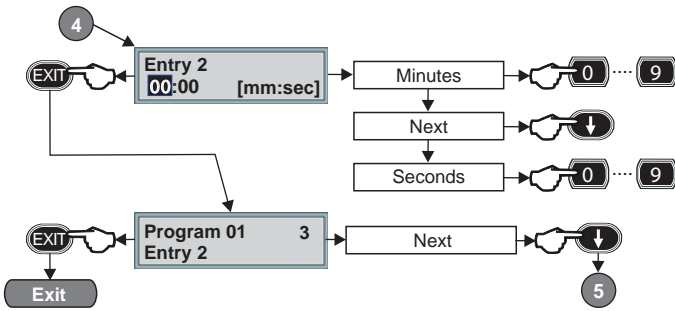
3 - Entry 1

Press 3 to select the option and YES to confirm. Program the minutes using the numerical keys. Press the arrow key to move the cursor. Program the seconds using the numerical keys. Press EXIT once to select another option. Press EXIT again to select another program.



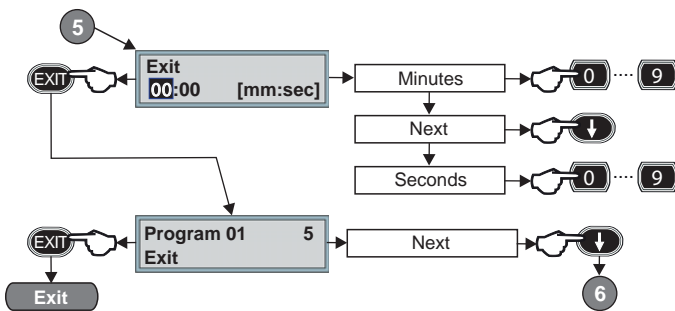
4 - Entry 2

Press 4 to select the option and YES to confirm. Follow the procedure of the Entry 1.



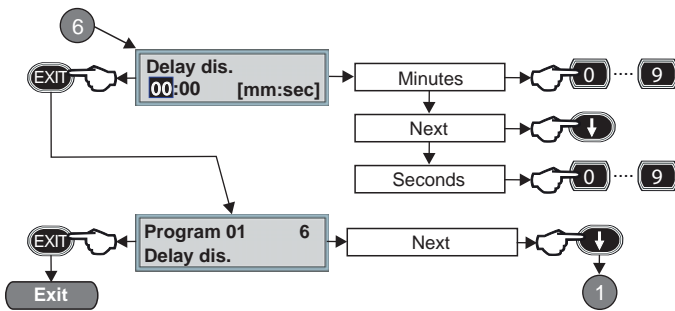
5 - Exit

Press 5 to select the option and YES to confirm. Program the minutes using the numerical keys. Press the arrow key to move the cursor. Program the seconds using the numerical keys. Press EXIT once to select another option. Press EXIT again to select another program.



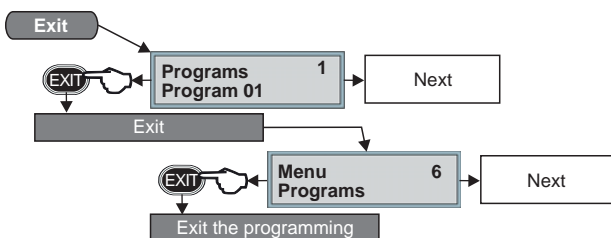
6 - Delay dis.

Press 6 to select the option and YES to confirm. Program the minutes using the numerical keys. Press the arrow key to move the cursor. Program the seconds using the numerical keys. Press EXIT once to select another option. Press EXIT again to select another program.



Press EXIT to exit the program and return to the mains menu.

Select another menu or press EXIT again to exit the programming.

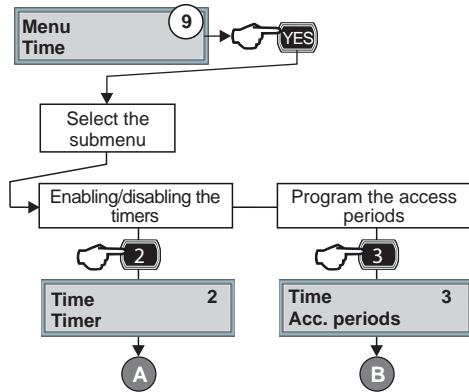


5-4 - Time menu

The Time menu corresponds to the **menu 9** and permits blocking/unblocking of the timers which manage automatic and repetitive operations as well as to program the access periods thanks to which it is possible to limit the recognition of the codes/transponders/RFID cards to specific periods of time.

This menu is composed of 2 submenus which are identified by a name and number (see the table).

Submenu		Description
2	Timers	Enabling/disabling of the timers
3	Acc. periods	Programming of the access periods



Selection of the submenu

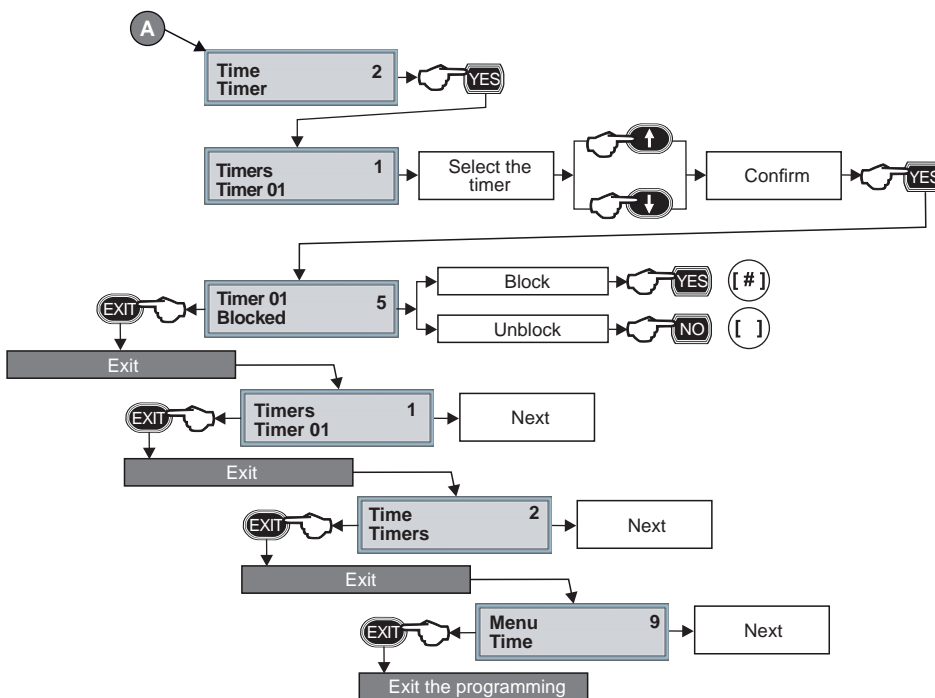
Select the submenu using the numerical keys and press YES to confirm.

Continue the programming following the instructions of the corresponding paragraph (A, B).

5-4-A - Timers

Press 2 to select the submenu. The submenu permits blocking or unblocking of the timers.

Option	Description
5	Blocked



5 - Blocked

Press 5 to select the option, and press YES to confirm.

Select the timer using either the arrow keys or the numerical ones.

Press YES to block the timer. Press NO to unblock the timer.

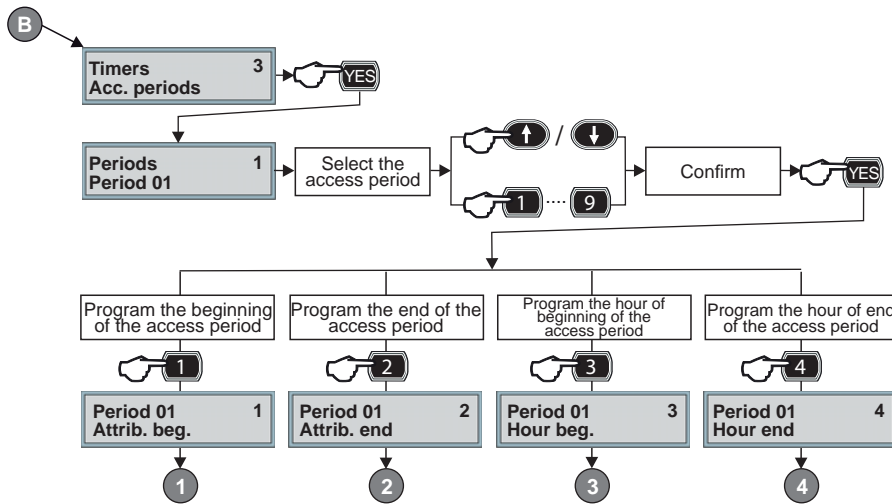
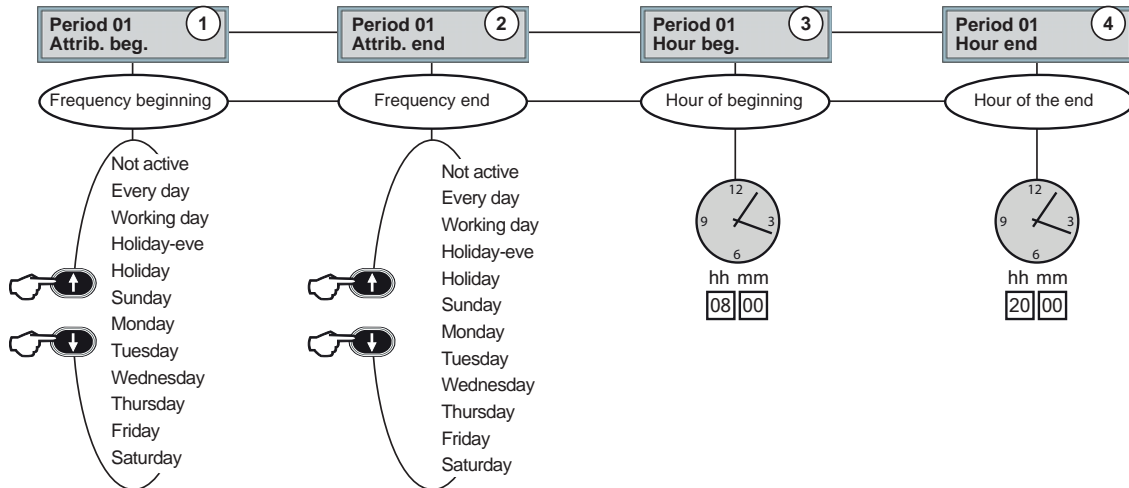
Press EXIT once to select another timer. Press EXIT a second time to exit the submenu.

Press EXIT a third time to exit the Timers menu and return to the mains menu. Press EXIT a fourth time to exit the programming.

5-4-B - Access periods

Press 3 to select the submenu. The submenu permits programming of the access periods for the codes, transponders and RFID cards. Program the following parameters: beginning attribute, end attribute, hour of beginning, hour of end. The 4 options are identified by a name and number (see the table).

Option	Description
1	Attrib. beg.
2	Attrib. end
3	Hour beg.
4	Hour end

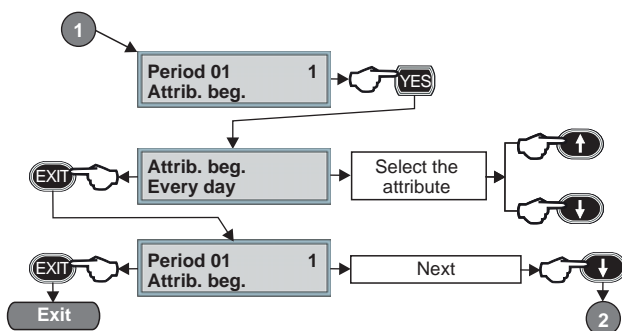


Selection of the access period

Select the access period using either the arrow keys or the numerical ones and press YES to confirm.

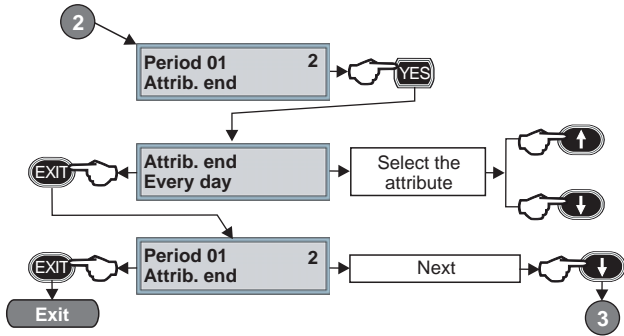
Selection of the option

Select the option using the numerical keys and press YES to confirm. Continue the programming following the instructions of the corresponding paragraph (1, 2, 3, 4).



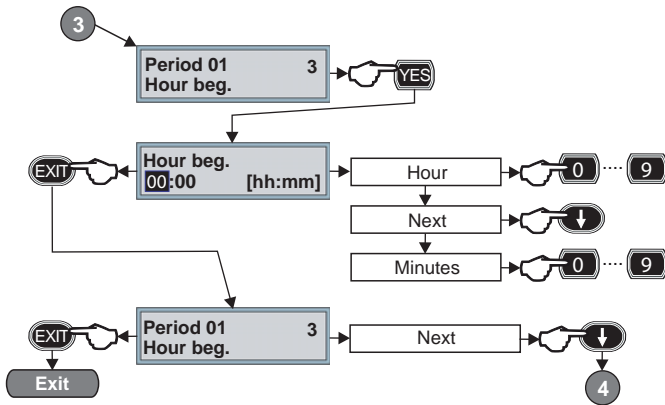
1 - Attrib. beg.

Press 1 to select the option and press YES to confirm. Select the attribute of the beginning using the arrow keys. Press EXIT once to select another option. Press EXIT a second time to select another access period.



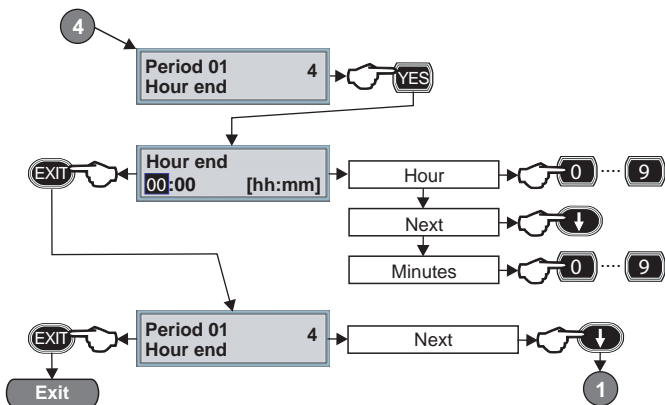
2 - Attrib. end

Press 2 to select the option and press YES to confirm. Select the attribute of the end using the arrow keys. Press EXIT once to select another option. Press EXIT a second time to select another access period.



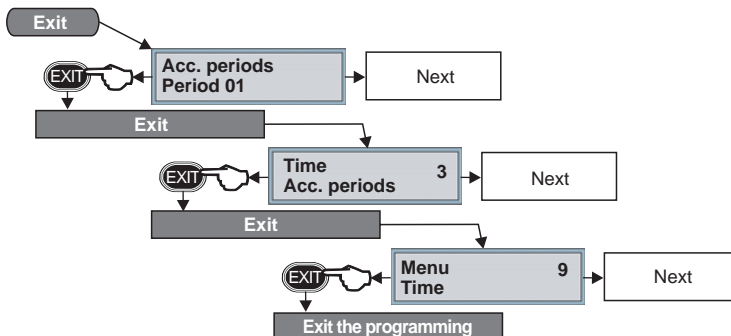
3 - Hour beg.

Press 3 to select the option and press YES to confirm. Program the hour of beginning using the numerical keys. Use the arrow down key to move the cursor on the minutes. Program the minutes using the numerical keys. Press EXIT once to select another option. Press EXIT a second time to select another access period.



4 - Hour end

Press 4 to select the option and press YES to confirm. Program the hour of end using the numerical keys. Use the arrow down key to move the cursor on the minutes. Program the minutes using the numerical keys. Press EXIT once to select another option. Press EXIT a second time to select another access period.



Press EXIT once to exit the submenu. Press EXIT a second time to exit the Time menu and return to the mains menu. Select another menu or press EXIT a third time to exit the programming.

5-5 - Telephone menu

The Telephone menu corresponds to the **menu 10** and permits the setting of the parameters of the telephone section of the system. The control panel is equipped with an integrated RTC interface which is the principal communication vector.

The system can also be equipped with the ESP GSM-GPRS internal expansion and the TECNOCELL external GSM.

This menu is composed of 12 submenus which are identified by a name and number (see the table).

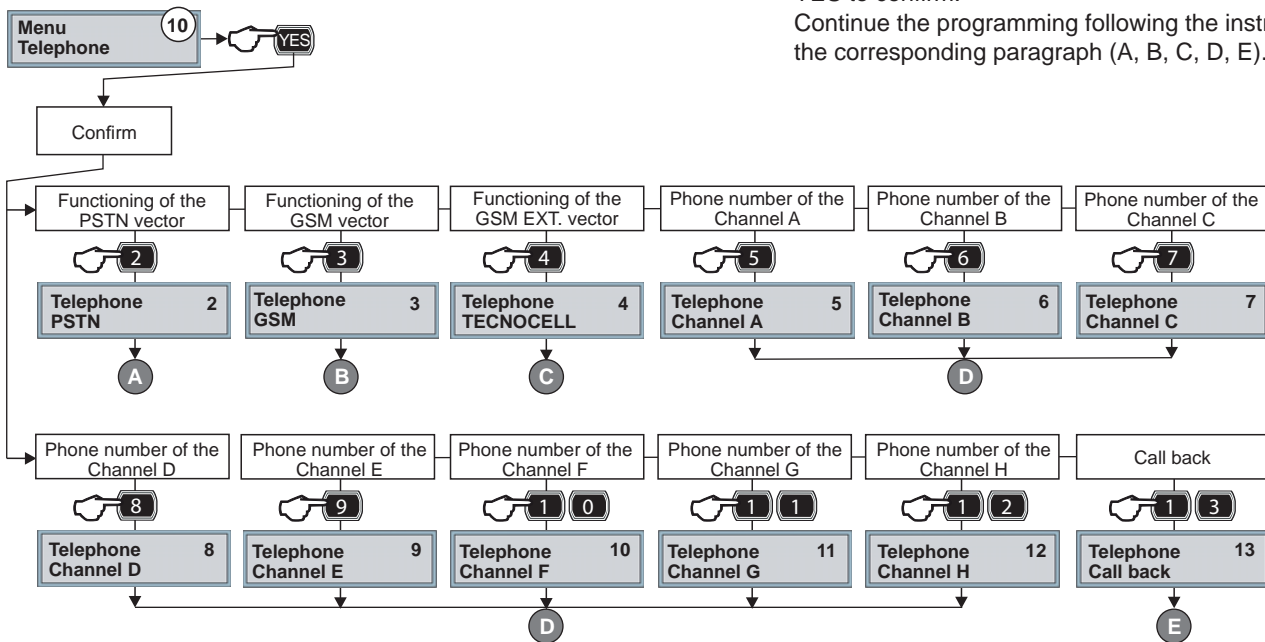
Warning: Since the installer may reserve him the use of one or several channels, consult him before modify the programming.

Submenu	Description	Reserved	
2	PSTN	Programming of the functions of the PSTN interface	
3	GSM	Programming of the functions of the GSM expansion	
4	TECNOCELL	Programming of the functions of the TECNOCELL transmitter (optional)	
5	Channel A	Programming of the A channel	yes no
6	Channel B	Programming of the B channel	yes no
7	Channel C	Programming of the C channel	yes no
8	Channel D	Programming of the D channel	yes no
9	Channel E	Programming of the E channel	yes no
10	Channel F	Programming of the F channel	yes no
11	Channel G	Programming of the G channel	yes no
12	Channel H	Programming of the H channel	yes no
13	Call back	Activation of the call back	

Selection of the submenu

Select the submenu using the numerical keys and press YES to confirm.

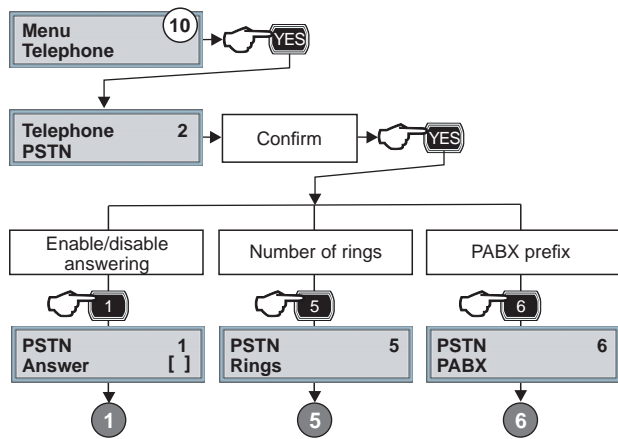
Continue the programming following the instructions of the corresponding paragraph (A, B, C, D, E).



5-5-A - PSTN

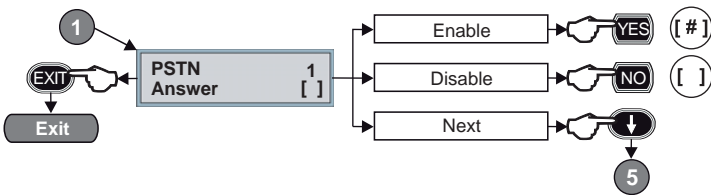
Press 2 to select the submenu and press YES to confirm. The submenu permits enabling of the answer to the incoming calls and program the dialing prefix in case of presence of a PABX switchboard. The 3 options are identified by a name and number (see the table).

Option	Function	
1	Answer	Enabling of the PSTN interface to answer to the incoming calls
5	Rings	Programming of the number of rings prior to answering to the incoming calls
6	PABX	Programming of the PABX prefix



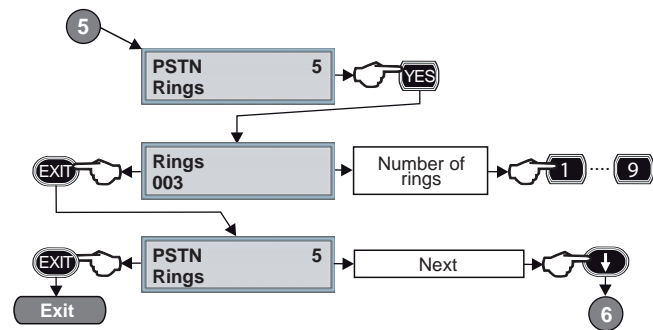
Selection of the option

Select the option using the numerical keys and press YES to confirm.
Continue the programming following the instructions of the corresponding paragraph (1, 5, 6).



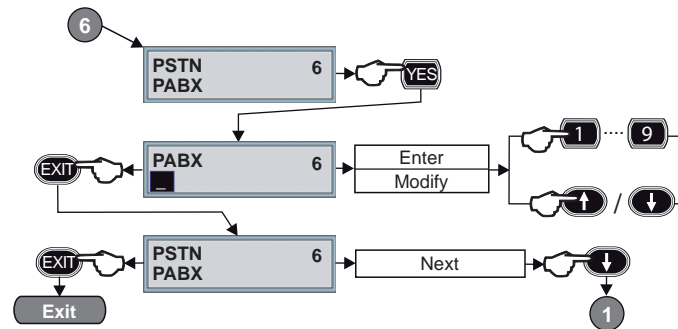
1 - Answer

Press 1 to select the option and press YES to confirm.
Press YES to enable the answer.
Press NO to disable the answer.
Select another option or press EXIT to exit the submenu.



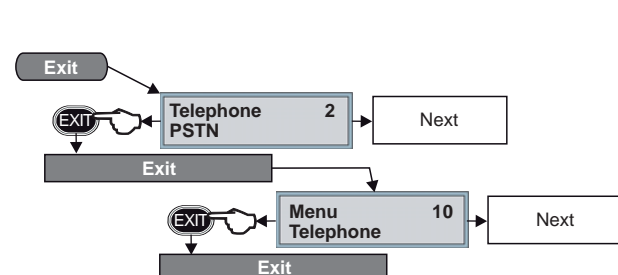
5 - Rings

Press 5 to select the option and press YES to confirm.
Program the number of rings from 3 to 17 using the numerical keys.
Press EXIT once to select another option.
Press EXIT a second time to exit the submenu.



6 - PABX

Press 6 to select the option and press YES to confirm.
Program the dial prefix using the numerical keys.
To modify an already existing number use the arrow keys.
Press EXIT once to select another option.
Press EXIT a second time to exit the submenu.
Warning: Program this function only if the control panel is connected to a PBAX switchboard.



Press EXIT once to exit the submenu
Press EXIT a second time to exit the Telephone menu and return to the mains menu
Press EXIT a third time to exit the programming.

5-5-B - GSM

Press 3 to select the submenu and press YES to confirm. The submenu permits programming of the functioning parameters of the GSM interface if the system is equipped with the ESP GSM-GPRS optional module. The menu permits programming of the control and notification of the remaining airtime for the prepaid SIM cards. Particularly, it allows to enable the GSM interface to answer to the incoming calls, program the number and the text of the airtime request SMS message, the heading of the messages which the control panel send to the user and the password plus the phone numbers of the White list. The 12 options are identified by a name and number (see the table).

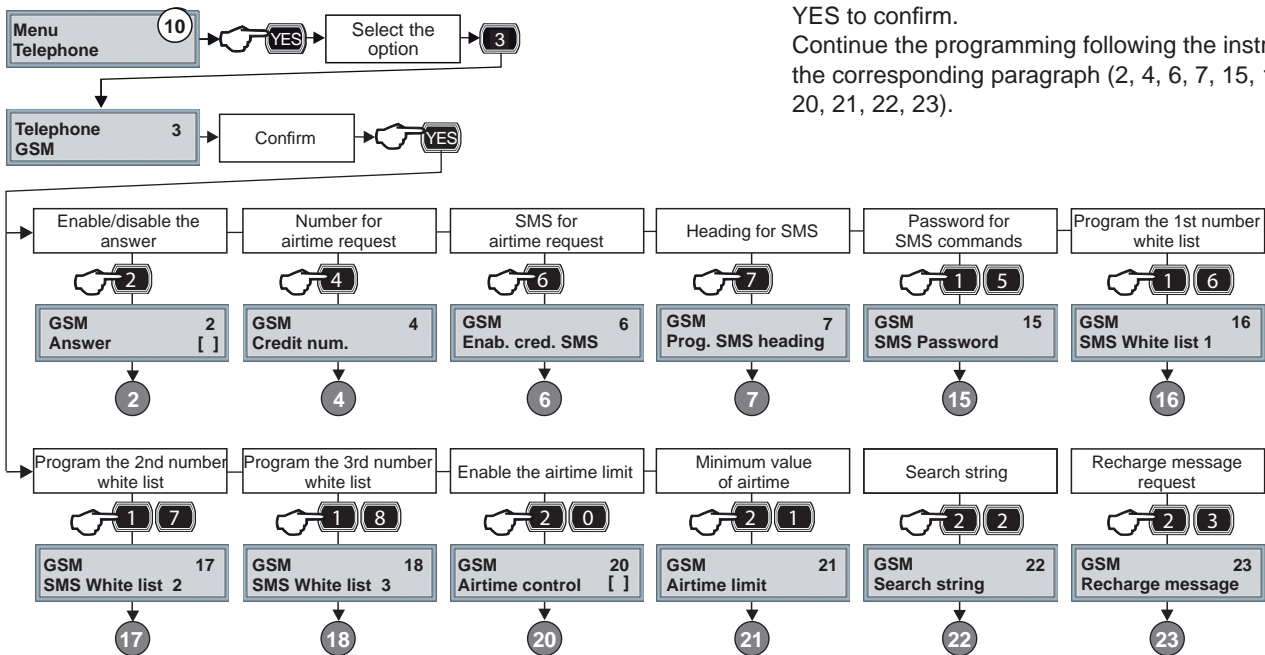
Option	Description
2 Answer	Enabling/disabling of the GSM interface to answer to the incoming calls
4 Credit num.	Programming of the telephone no. for the airtime request to the provider
6 Enab. cred. SMS	Programming of the SMS message for the airtime request to the provider
7 Prog. SMS heading	Programming of the heading of the SMS message
15 SMS Password	Programming of the password for the SMS messages send to the system
16 SMS White list 1	Programming of the 1st phone number enabled to the SMS commands*
17 SMS White list 2	Programming of the 2nd phone number enabled to the SMS commands*
18 SMS White list 3	Programming of the 3rd phone number enabled to the SMS commands*
20 Airtime control	Enabling/disabling of the automatic control of the remaining airtime
21 Airtime limit	Programming of the minimum value of the airtime below which the recharge is requested
22 Search string	Search string to analyse the SMS message of the remaining airtime received by the provider
23 Recharge message	Programming of the text message which notify that the airtime is below the programmed threshold

* If no telephone number is programmed into the White list section, the control panel accepts the SMS commands from any telephone number.

Selection of the option

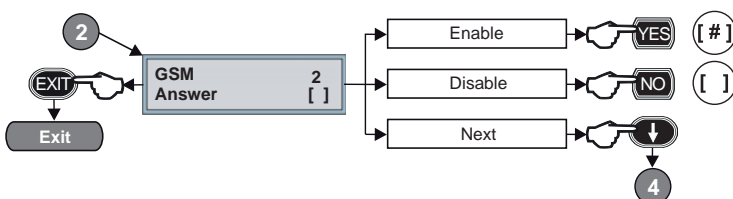
Select the option using the numerical keys and press YES to confirm.

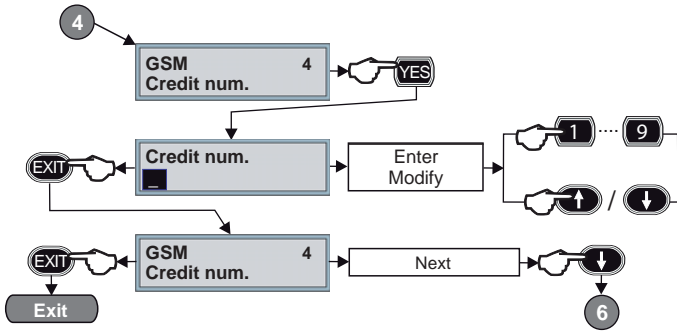
Continue the programming following the instructions of the corresponding paragraph (2, 4, 6, 7, 15, 16, 17, 18, 20, 21, 22, 23).



2 - Answer

Press 2 to select the option.
 Press YES to enable the answering.
 Press NO to disable the answering.
 Select another option or press EXIT to exit the submenu.



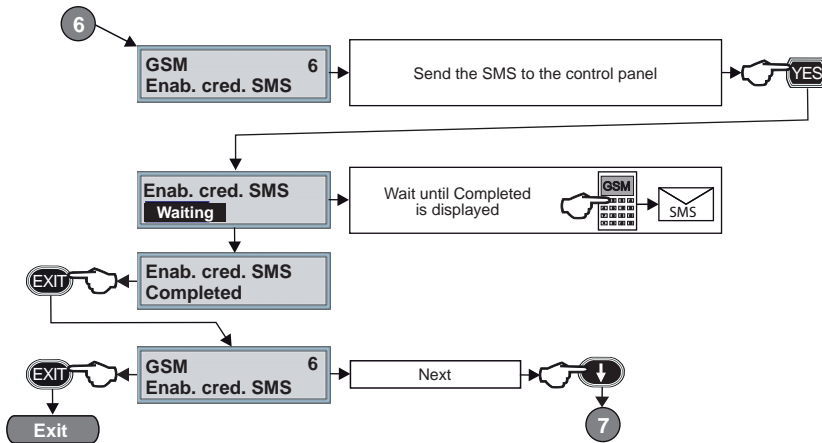


4 - Credit num.

Press 4 to select the option and press YES to confirm.

Program the provider number to which send the remaining airtime request using the numerical keys.

To modify an existing number use the arrow keys. Press EXIT once to select another option. Press EXIT a second time to exit the submenu.



6 - Enab. cred. SMS

Press 6 to select the option and press YES to confirm. On the display is viewed Waiting.

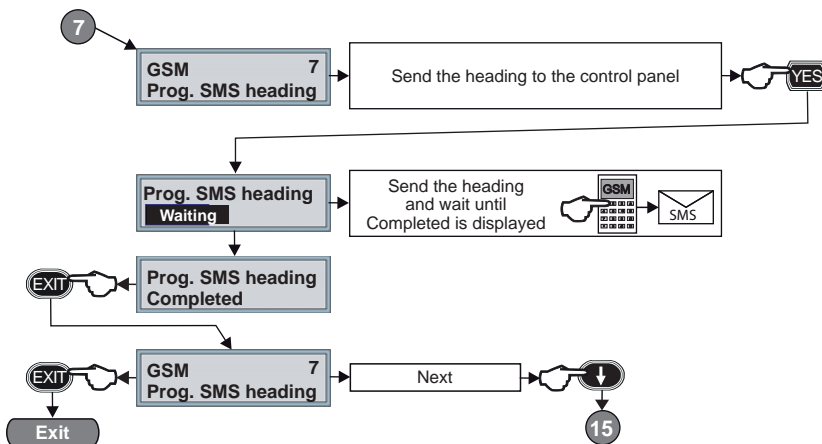
Send the SMS message for the airtime request to the telephone number of the SIM card of the control panel.

The SMS must contain the text requested by the provider.

On reception of the SMS, on display of the console is viewed Completed.

Press EXIT once to select another option.

Press EXIT a second time to exit the submenu.



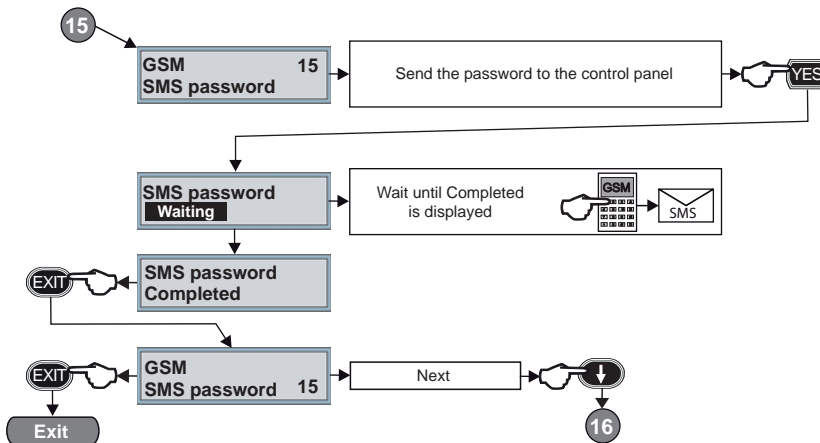
7 - Prog. SMS heading

Press 7 to select the option and press YES to confirm. On the display is viewed Waiting.

Send the heading of the SMS messages to the telephone number of the SIM card of the control panel. On reception of the heading of the SMS messages, on display of the console is viewed Completed.

Press EXIT once to select another option.

Press EXIT a second time to exit the submenu.

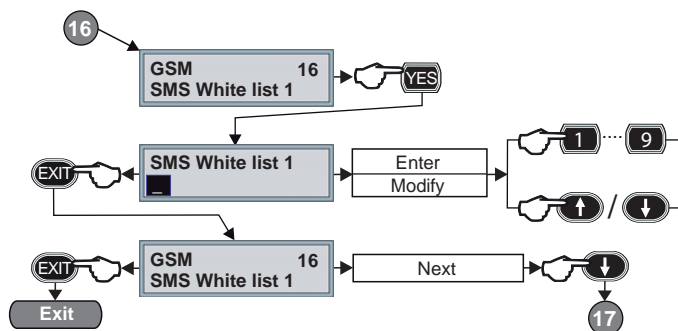


15 - SMS Password

Press 15 to select the option, and press YES to confirm.
 On the display is viewed Waiting.
 Send the password to the telephone number of the SIM card of the control panel.
 On reception of the password, on display of the console is viewed Completed.
 Press EXIT once to select another option.
 Press EXIT a second time to exit the submenu.

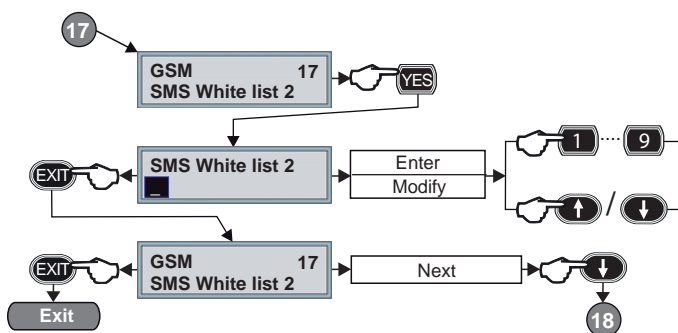
White list

List of a total of 3 telephone numbers which are enabled for the SMS commands.
 If at least one telephone number is programmed, the control panel accepts the SMS commands only from the programmed telephone numbers. If no number is programmed, the control panel accepts the SMS commands from any telephone number.



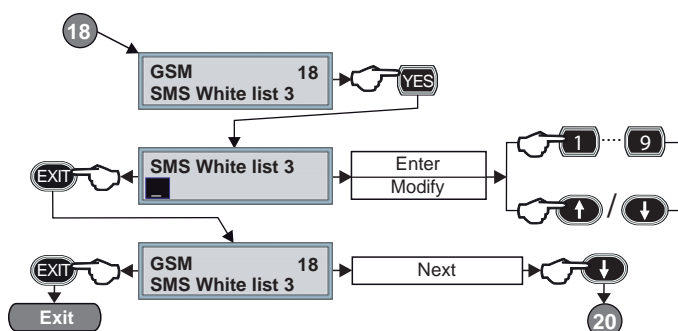
16 - SMS White list 1

Press 16 to select the option, and press YES to confirm.
 Program the first telephone number of the white list using the numerical keys.
 To modify and exiting number, use the arrow keys.
 Press EXIT once to select another option.
 Press EXIT a second time to exit the submenu.



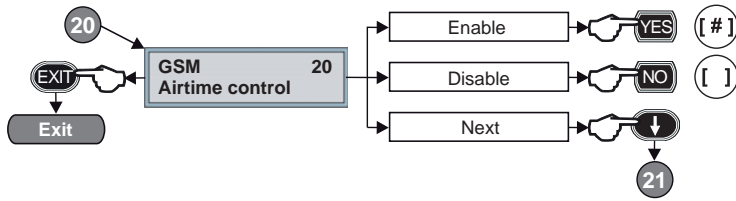
17 - SMS White list 2

Press 17 to select the option and repeat the procedure of the option 16.
 Program the second number.



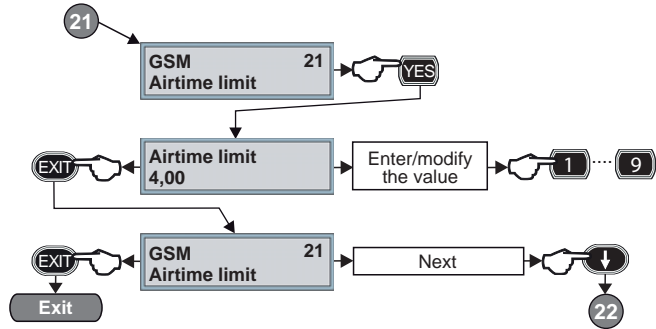
18 - SMS White list 3

Press 18 to select the option, and repeat the procedure of the option 16.
 Program the third number.



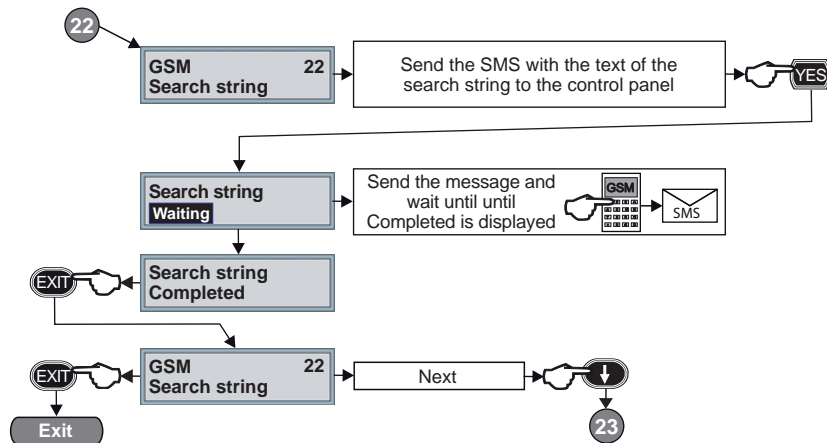
20 - Airtime control

Press 20 to select the option.
 Press YES to enable the control.
 Press NO to disable the control.
 Select another option or press EXIT to exit the submenu.



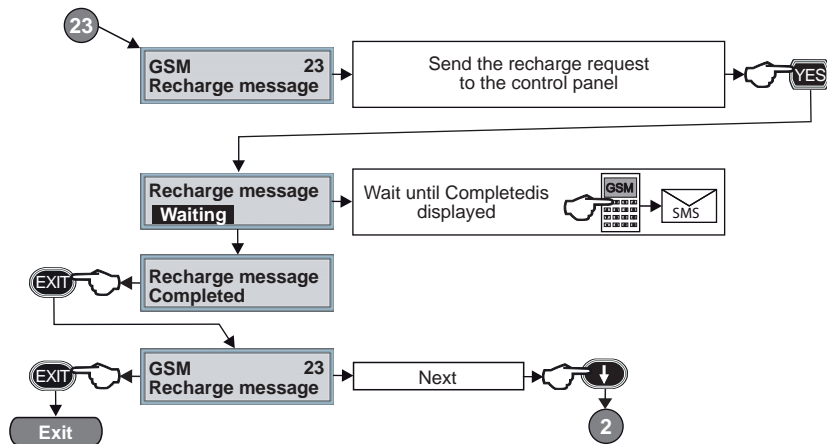
21 - Airtime limit

Press 21 to select the option, and press YES to confirm.
 Enter the minimum value in Euro (0 to 9) using the numerical keys.
 Press EXIT once to select another option.
 Press EXIT a second time to exit the submenu.



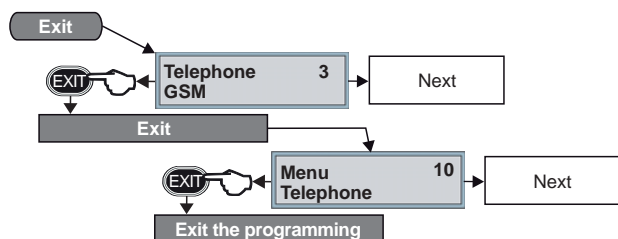
22 - Search string

Press 22 to select the option, and press YES to confirm.
 On the display is viewed Waiting.
 Program the search string which is used by the control panel to analyse the SMS messages and to obtain the value of the available airtime with a mobile and send it to the telephone number of the SIM card of the control panel.
 On reception of the SMS, on display of the console is viewed Completed.
 Press EXIT once to select another option.
 Press EXIT a second time to exit the submenu.



23 - Recharge message

Press 23 to select the option, and press YES to confirm.
 On the display is viewed Waiting.
 Program the SMS message that the control panel will send to request a phone recharge with a mobile and send it to the phone number of the SIM card of the control panel.
 On reception of the SMS, on display of the console is viewed Completed.
 Press EXIT once to select another option.
 Press EXIT a second time to exit the submenu.



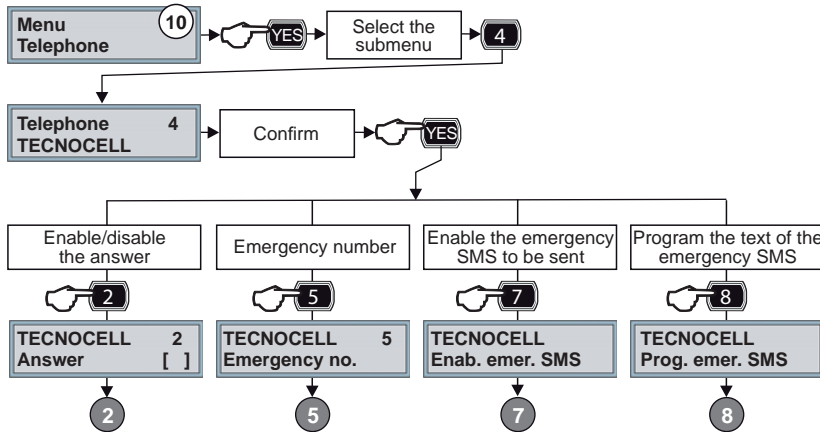
Press EXIT once to exit the submenu.
 Press EXIT a second time to exit the Telephone menu and return to the mains menu.
 Press EXIT a third time to exit the programming.

5-5-C - TECNOCELL

Press 4 to select the submenu. The submenu permits programming of the Tecnocell transmitter and may be used as an auxiliary and/or backup transmitter. It allows to activate the answer mode, telephone number and the emergency SMS. The 4 options are identified by a name and number (see the table).

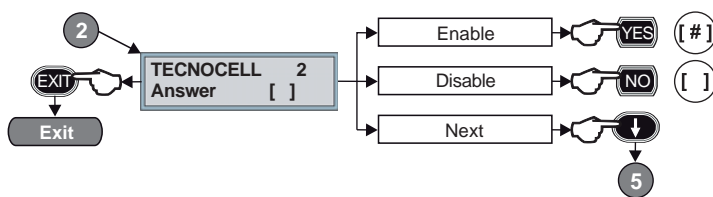
Warning: Using the external GSM transmitter, the corresponding channels must be programmed with the protocols defined as secondary or backup.

Option	Description
2 Answer	Enabling of the Tecnocell to answer to the incoming calls
5 Emergency no.	Programming of the emergency phone number
7 Enab. emer. SMS	Enabling of the emergency SMS to be sent
8 Prog. . emer. SMS	Programming of the heading of the emergency SMS



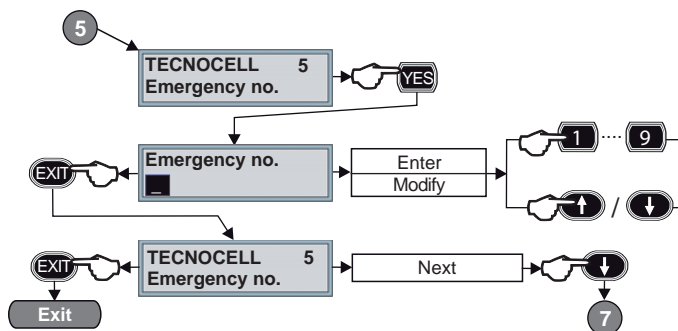
Selection of the option

Select the option using the numerical keys and press YES to confirm. Continue the programming following the instructions of the corresponding paragraph (2, 5, 7, 8).



2 - Answer

Press 2 to select the option. Press YES to enable the answer. Press NO to disable the answer. Select another option or press EXIT to exit the submenu.

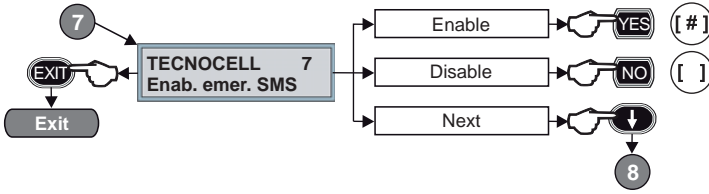


5 - Emergency no.

Press 5 to select the option and press YES to confirm. Program the number using either the arrow keys or the numerical ones. Press EXIT once to select another option. Press EXIT a second time to exit the submenu.

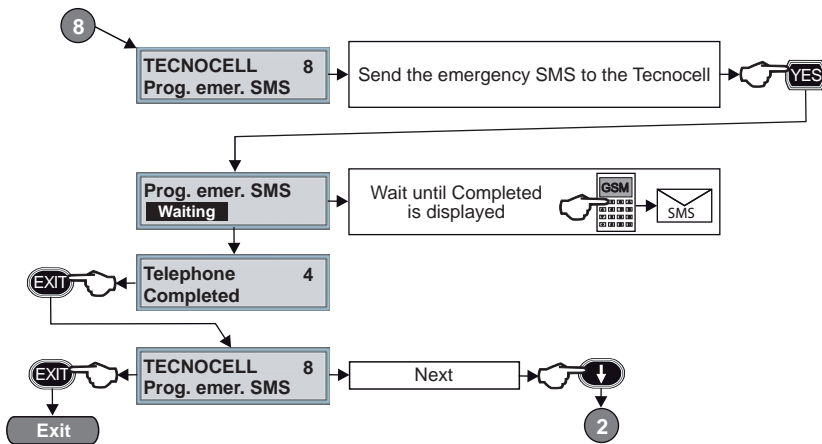
7 - Enab. emer. SMS

Press 7 to select the option.
 Press YES to enable the emergency SMS.
 Press NO to disable the emergency SMS
 Select another option or press EXIT to exit the submenu.

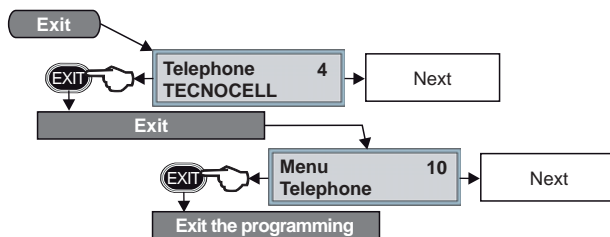


8 - Prog. emer. SMS

Press 8 to select the option and press YES to confirm.
 On the display is viewed Waiting.
 Program the emergency SMS with a mobile and send it to the telephone number of the SIM card of the Tecnocell.
 On reception of the SMS, on display of the console is viewed Completed.
 Press EXIT once to select another option.
 Press EXIT a second time to exit the submenu.



Press EXIT once to exit the submenu
 Press EXIT a second time to exit the Telephone menu and return to the mains menu
 Press EXIT a third time to exit the programming

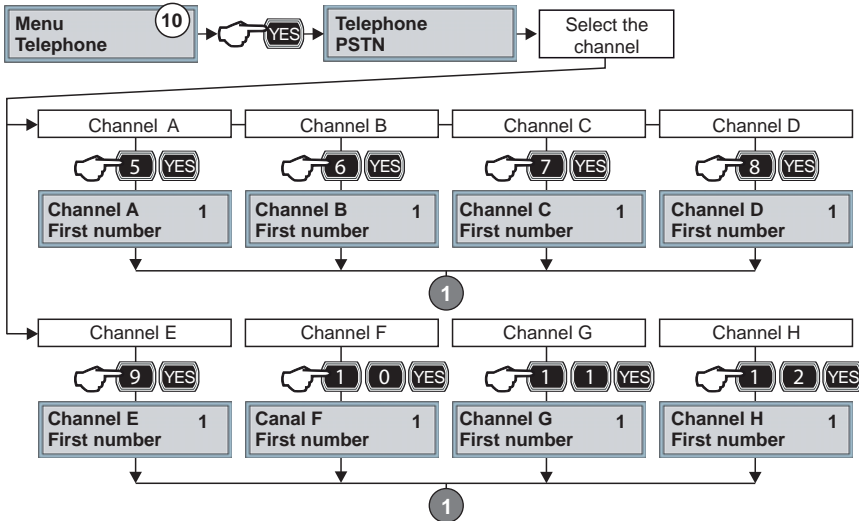


5-5-D - Telephone channels

Press a number from 5 to 12 to select the submenu (channel from A to H) and press YES to confirm. The submenus permit programming of the telephone numbers (principal + reserve), the channels from A to H as well as execute a test call. The 3 options are identified by a name and number (see the table).

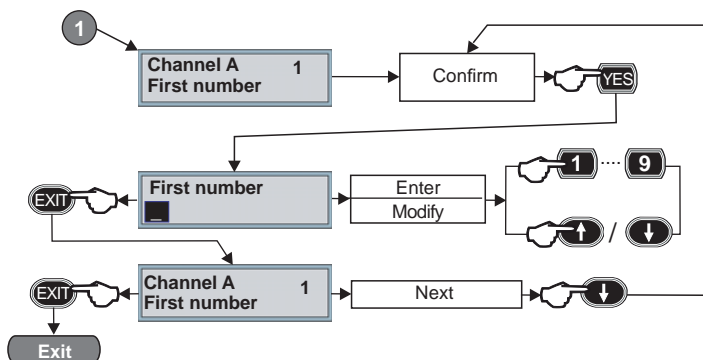
Warning: Since the installer may reserve him the use of one or several channels, consult him before modify the programming.

Option	Description
1	First number
2	Second number
5	Call



Selection of the option

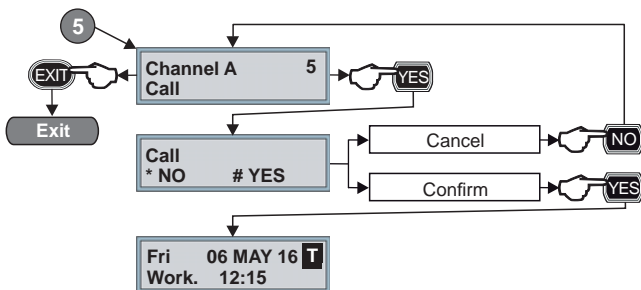
Select the option using the numerical keys and press YES to confirm. Continue the programming following the instructions of the corresponding paragraph (1, 2, 5).



1- First number

Press 1 to select the option and press YES to confirm. Program the first number using the numerical keys. To modify an existing number, use the arrow keys. Press EXIT once to select another option. Press EXIT a second time to exit the submenu.

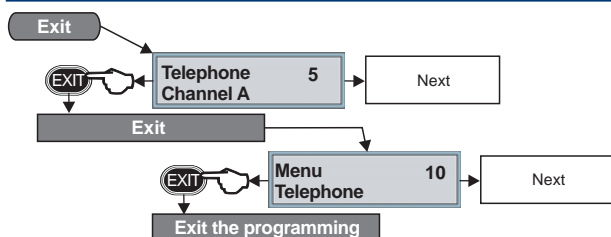
Select the option 2 and repeat the procedure to program the 2nd telephone number.



5 - Call

Press 5 to select the option and press YES to confirm. Press YES to execute the test call. Press NO to annular the test call. Confirming the execution of the test call, the control panel automatically exit the programming. The clock is displayed and on the first line to the right appears the letter T which indicates that the control panel is in communication mode.

Warning: The test is executed on the first telephone number using the protocol of the selected channel.



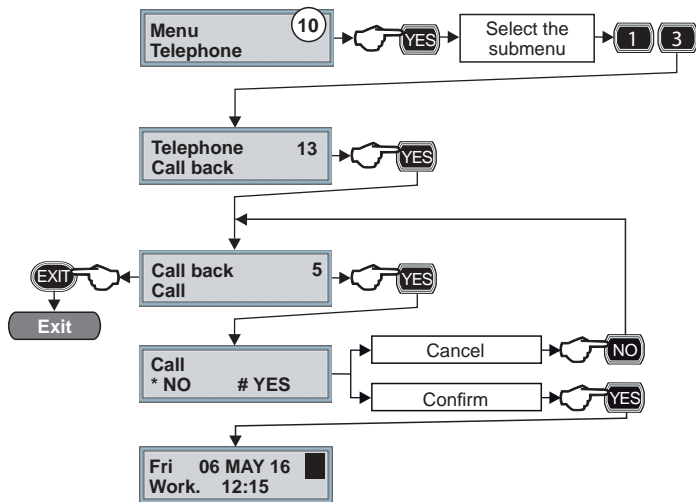
Press EXIT once to exit the submenu. Press EXIT a second time to exit the Telephone menu and return to the mains menu. Press EXIT a third time to exit the programming.

5-5-E - Call back

Press 13 to select the submenu and press YES to confirm. The submenu permits activation of the call back. The call back function is indispensable for remote programming of the control panel. When the installer tries to connect to the control panel via telephone line, the onboard telephone section interrupts the communication after an initial data exchange and calls the call back numbers (starting with the principal one). The numbers should correspond to either the installer or the monitoring station authorized for remote programming.

Warning: The use of this menu must previously be agreed with the installer.

Option		Description
13	Call back	Call of call back



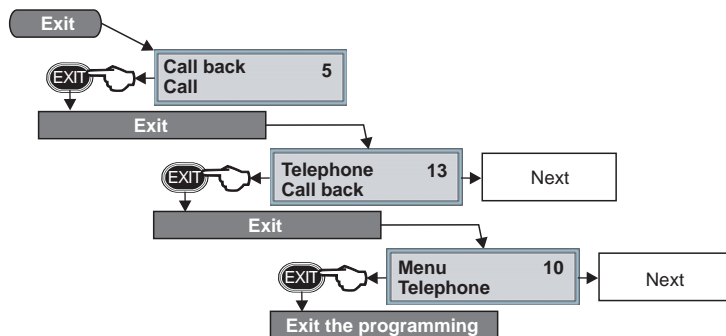
1- Call back

Press 5 to select the option and press YES to confirm. Press YES to execute the call back.

Press NO to cancel the call.

Confirming the execution of the call back, the control panel automatically exit the programming.

The date and time are displayed on the first line to the right. The letter T indicates that the control panel is in communication mode.



Press EXIT once to exit the submenu.

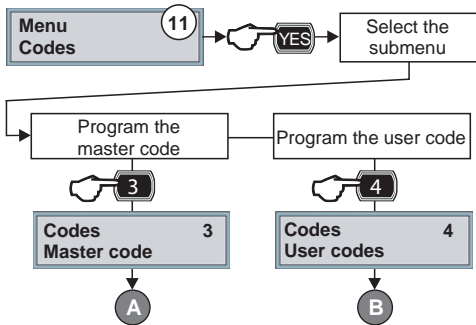
Press EXIT a second time to exit the Telephone menu and return to the mains menu.

Press EXIT a third time to exit the programming.

5-6 - Code menu

The Code menu corresponds to the **menu 11** and it permits programming of its attributes. The programmable codes are the master code and the user codes. The 2 options are identified by a name and number (see the table).

Submenu	Description
3 Master code	Programming of the code, association of the programs and attributes
4 User codes	Programming of the codes, association of the access periods, programs and attributes

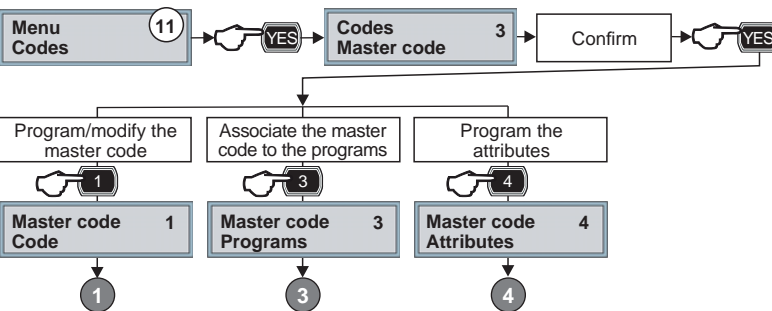
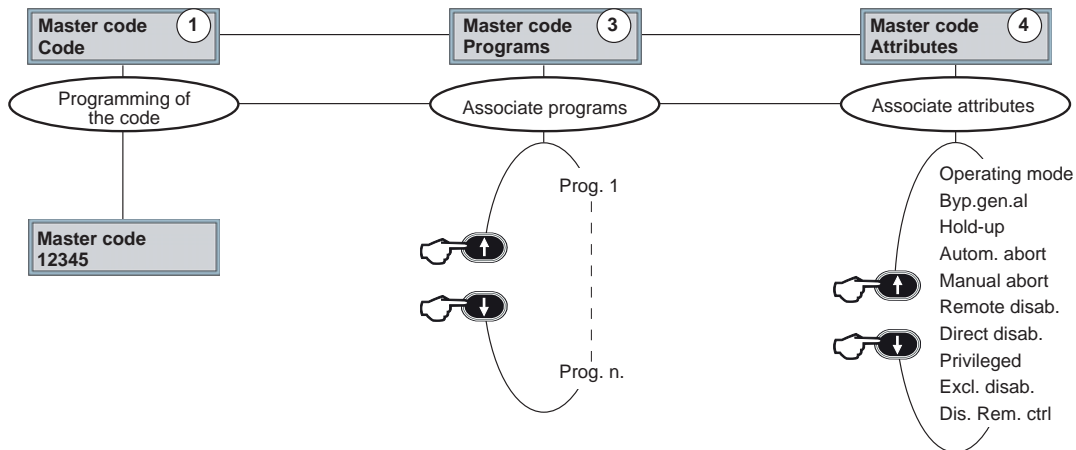


Selection of the submenu
 Select the submenu using the numerical keys and press YES to confirm.
 Continue the programming following the instructions of the corresponding paragraph (A, B).

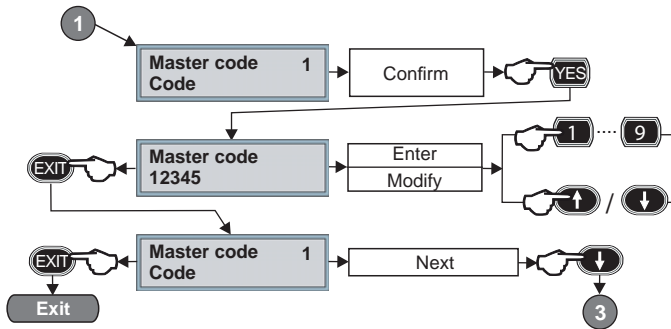
5-6-A - Master code

Press 3 to select the submenu and press YES to confirm. The master code is reserved to the user, e.g. the owner of the system. It permits the access to the user programming menu and it is not subject to the access restrictions imposed by the access periods. The 3 options are identified by a name and number (see the table).

Option	Description
1 Code	Programming of the master code
3 Programs	Association of the code to the programs
4 Attributes	Association of the code to the attributes

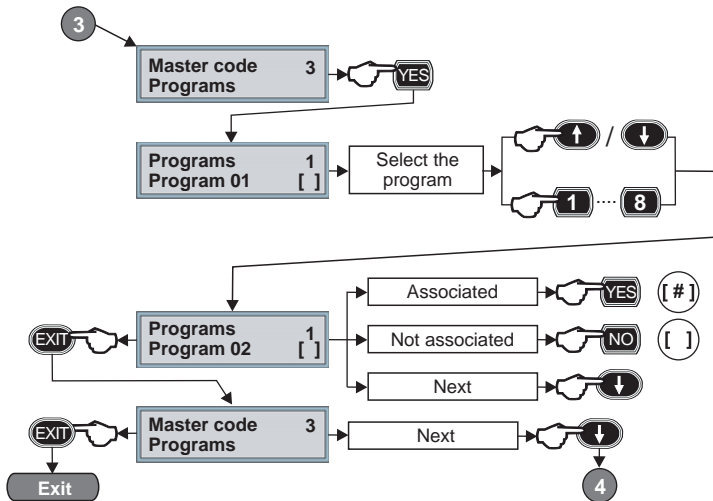


Selection of the option
 Select the option using the numerical keys and press YES to confirm.
 Continue the programming following the instructions of the corresponding paragraph (1, 3, 4).



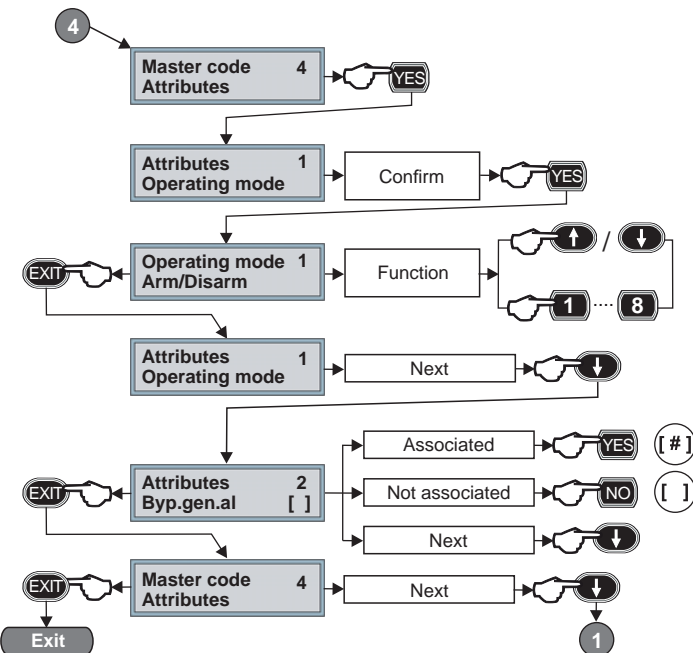
1 - Code

Press 1 to select the option and press YES to confirm. Program the code using the numerical keys. To modify an existing code, use the arrow keys. Press EXIT once to select another option. Press EXIT a second time to exit the submenu. Warning: The code length (4, 5 or 6 digits) is programmed by the installer and cannot be modified.



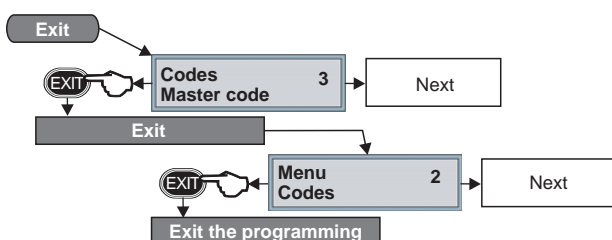
3 - Programs

Press 3 to select the option and press YES to confirm. Select the program to be associated using either the arrow keys or the numerical ones. Press YES to confirm the selection. Press NO to cancel the selection. Repeat the procedure to associate the code to other programs. Press EXIT once to select another option. Press EXIT a second time to exit the submenu.



4 - Attributes

Press 4 to select the option and press YES to confirm. Press YES to select the Operating mode attribute. Select the operating mode using either the arrow keys or the numerical ones. Press EXIT and select other attributes using the arrow keys. Press YES to associate the attribute to the code. Press NO to cancel the association. Repeat the procedure to associate the code to other attributes. Press EXIT once to select another option. Press EXIT a second time to exit the submenu.

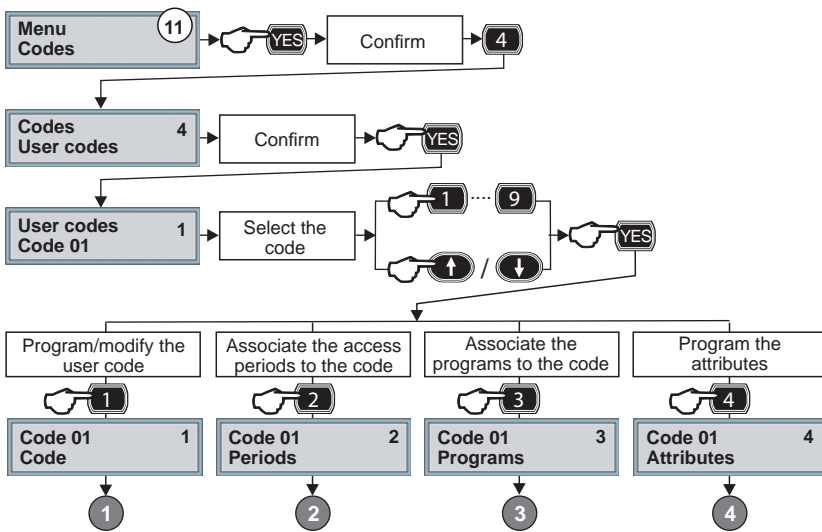
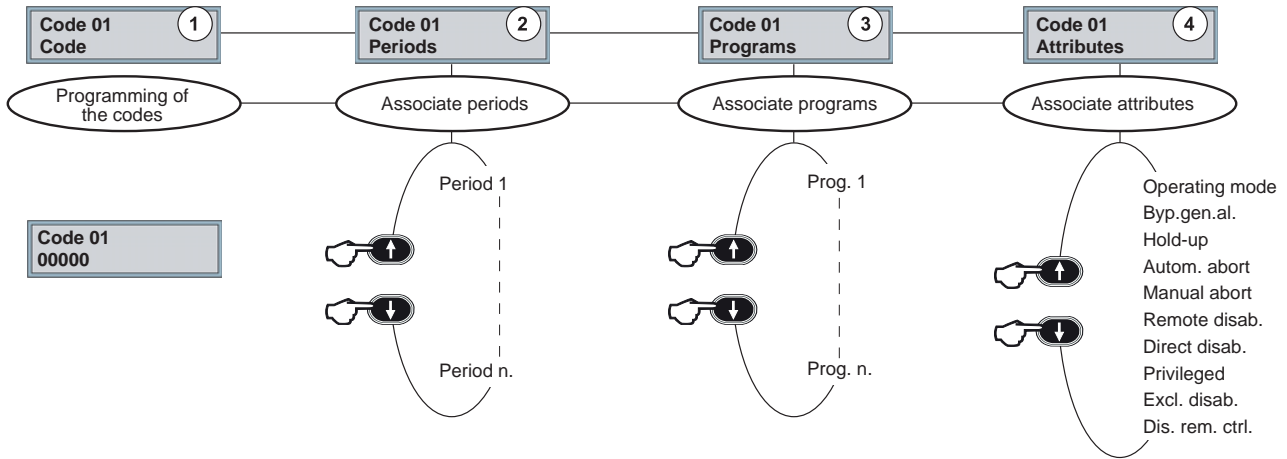


Press EXIT once to exit the submenu. Press EXIT a second time to exit the Code menu and return to the mains menu. Press EXIT a third time to exit the programming.

5-6-B - User codes

Press 4 to select the submenu and press YES to confirm. The submenu permits programming of the user codes. The user codes have no access to programming and are subject to the restrictions imposed by the access periods. The 4 options are identified by a name and number (see the table).

Option		Description
1	Codes	Programming of the codes
2	Periods	Association of the code to the access periods
3	Programs	Association of the code to the programs
4	Attributes	Association of the code to the attributes



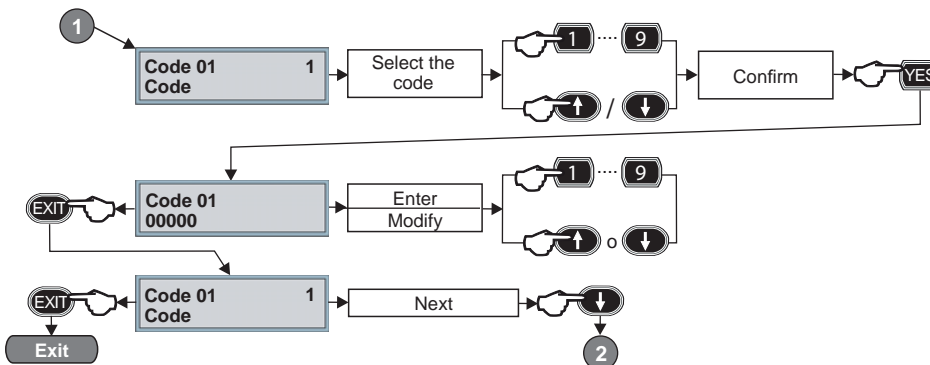
Selection of the option

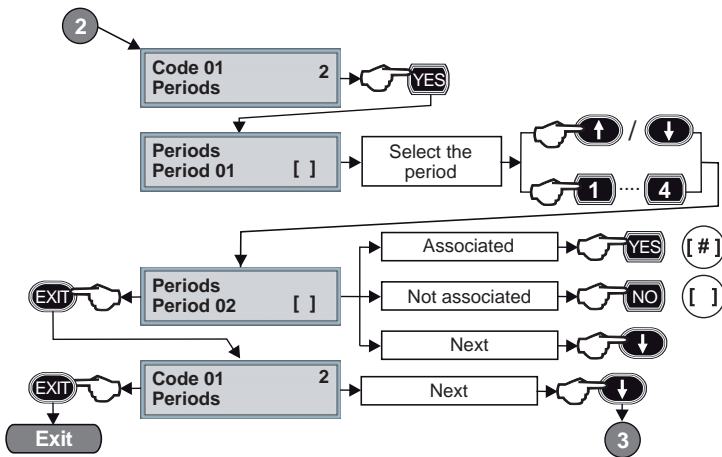
Select the option using the numerical keys and press YES to confirm. Continue the programming following the instructions of the corresponding paragraph (1, 2, 3, 4).

1 - Codes

Press 1 to select the option and press YES to confirm. Program the code using the numerical keys. To modify an existing code, use the arrow keys. Press EXIT once to select another option. Press EXIT a second time to exit the submenu.

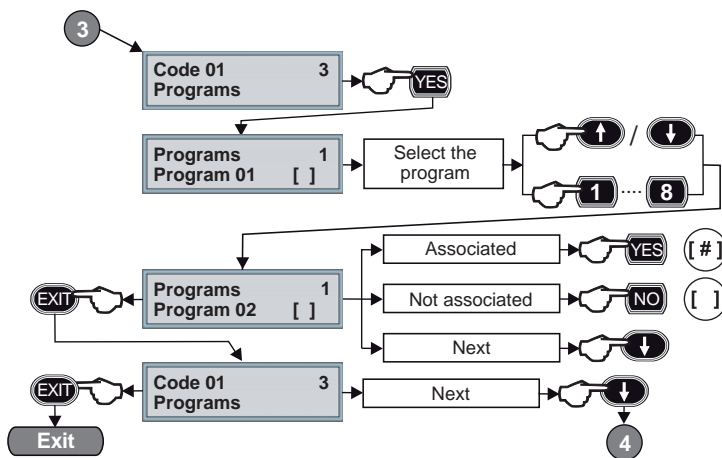
Warning: The code length (4, 5 or 6 digits) is programmed by the installer and cannot be modified.





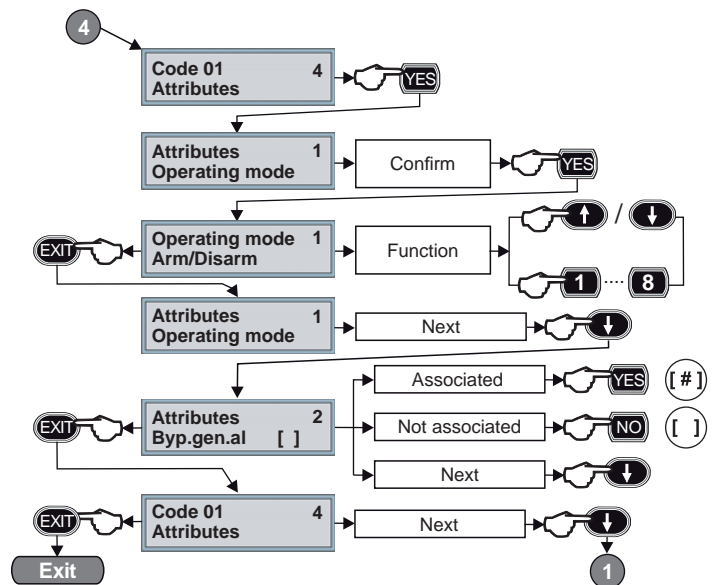
2 - Periods

Press 2 to select the option and press YES to confirm. Select the access periods to be associated to the code using either the arrow keys or the numerical ones. Press YES to confirm the association. Press NO to cancel the association. Use the arrow keys to select the following access period. Repeat the procedure to associate other access periods. Press EXIT once to select another option. Press EXIT a second time to exit the submenu.



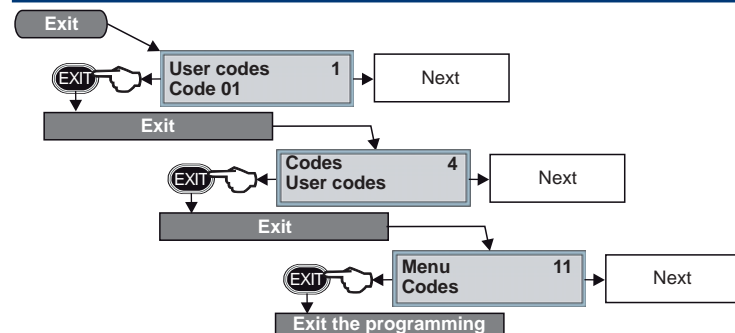
3 - Programs

Press 3 to select the option and press YES to confirm. Select the program to be associated to the code using either the arrow keys or the numerical ones. Press YES to confirm the selection. Press NO to cancel the selection. Repeat the procedure to associate the code to other programs. Press EXIT once to select another option. Press EXIT a second time to exit the submenu.



4 - Attributes

Press 4 to select the option and press YES to confirm. Press YES to select the Operating mode attribute. Select the operating mode using either the arrow keys or the numerical ones. Press EXIT and select other attributes using the arrow keys. Press YES to associate the attribute to the code. Press NO to cancel the association. Repeat the procedure to associate other attributes to the code. Press EXIT once to select another option. Press EXIT a second time to exit the submenu.

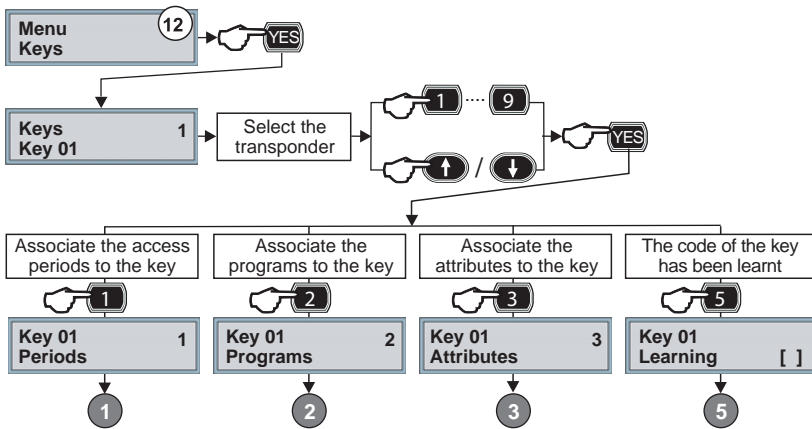
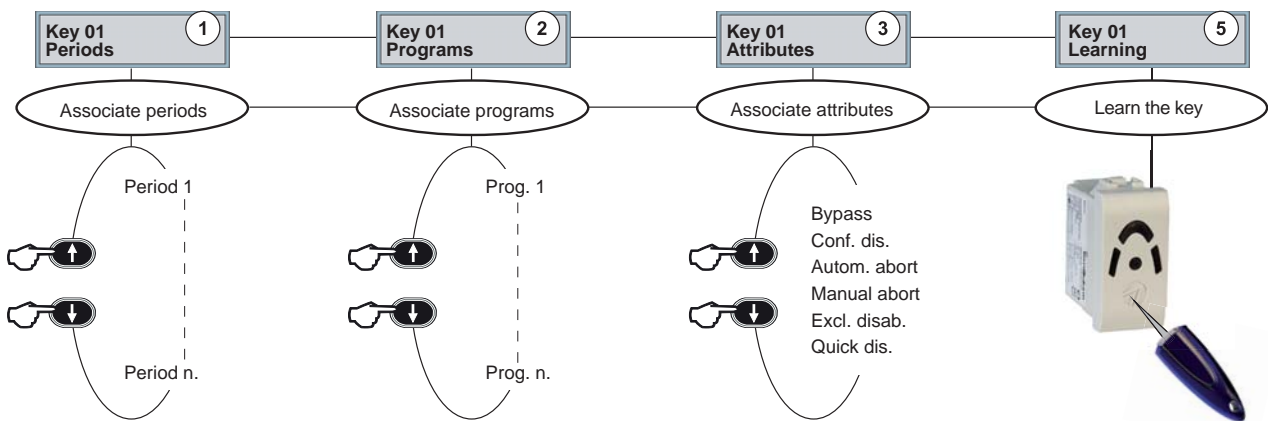


Press EXIT once to exit the submenu. Press EXIT a second time to exit the Code menu and return to the mains menu. Press EXIT a third time to exit the programming.

5-7 - Key menu

The Key menu corresponds to the **menu 12** and permits programming of the transponders/RFID cards. The transponders/RFID cards have no access to the programming and are subject to the restrictions imposed by the access periods. The 4 options are identified by a name and number (see the table).

Option	Description
1 Periods	Association of the key/transponder/RFID card to the access periods
2 Programs	Association of the key/transponder/RFID card to the programs
3 Attributes	Programming of the attributes
5 Learning	Learning of the key/transponder/RFID



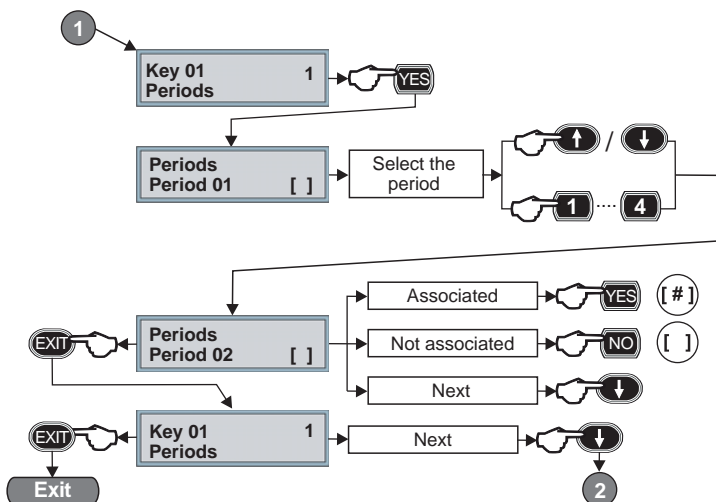
Selection of the transponder/RFID card

Select the transponder or the RFID card using either the arrow keys or the numerical ones and press YES to confirm.

Selection of the option

Select the option using the numerical keys and press YES to confirm.

Continue the programming following the instructions of the corresponding paragraph (1, 2, 3, 5).



1 - Periods

Press 1 to select the option and press YES to confirm. Select the access periods to be associated to the transponder using either the arrow keys or the numerical ones.

Press YES to confirm the association.

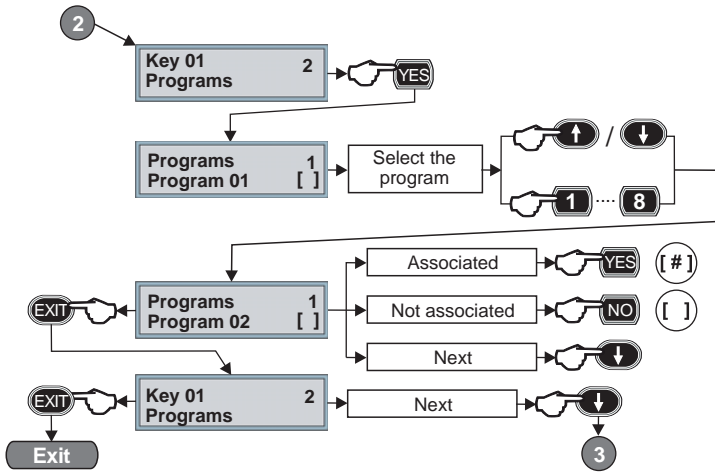
Press NO to cancel the association.

Use the arrow keys to select the following access period.

Repeat the procedure to associate other access periods.

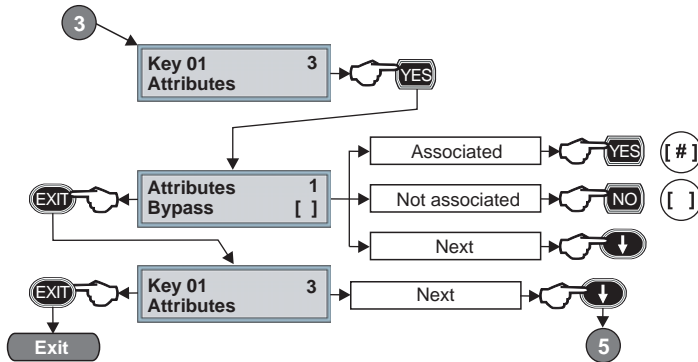
Press EXIT once to select another option.

Press EXIT a second time to exit the submenu.



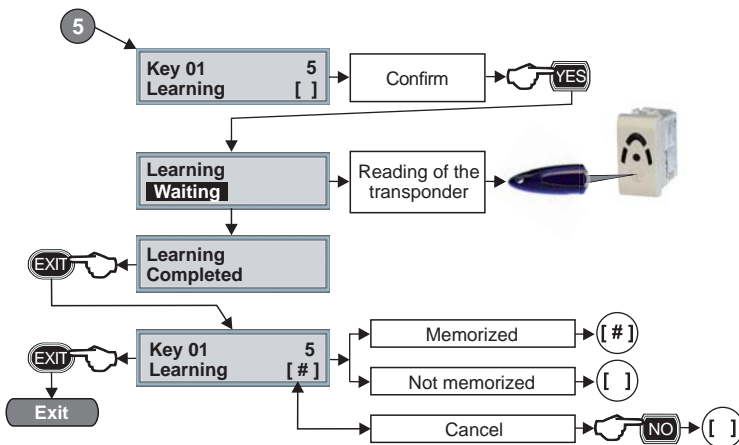
2 - Programs

Press 2 to select the option and press YES to confirm. Select the program to be associated to the transponder using either the arrow keys or the numerical ones. Press YES to confirm the selection. Press NO to cancel the selection. Repeat the procedure to associate the transponder to other programs. Press EXIT once to select another option. Press EXIT a second time to exit the submenu.



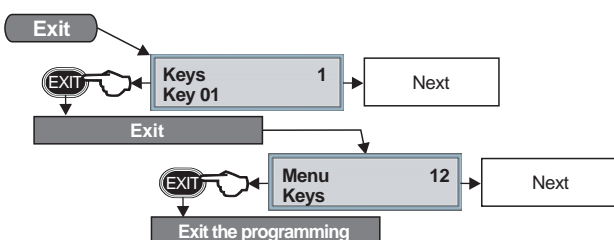
3 - Attributes

Press 3 to select the option and press YES to confirm. Press YES to associate the attribute to the transponder. Press NO to cancel the association. Use the arrow down key to select the following attribute. Repeat the procedure to associate other attributes to the transponder. Press EXIT once to select another option. Press EXIT a second time to exit the submenu.



5 - Learning

Press 5 to select the option and press YES to confirm. Press NO to cancel the transponder already memorized. Press YES to memorize a new transponder. Confirming, on the display of the console is viewed Waiting. Approach the transponder to the reader. If the transponder is recognized, on the display of the console is viewed Completed. Press EXIT once to select another option. Press EXIT a second time to exit the submenu.

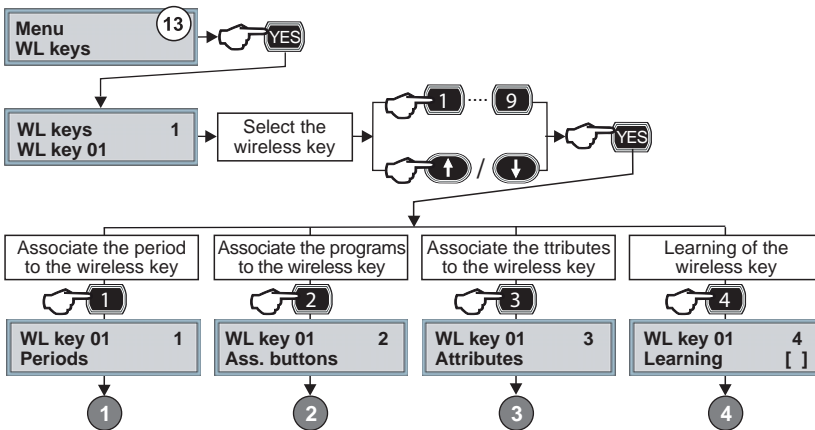
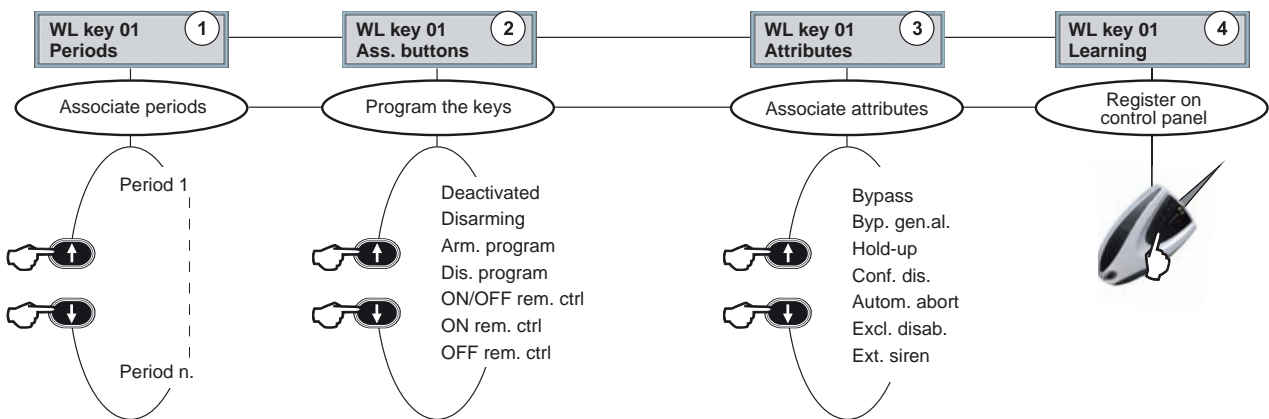


Press EXIT once to exit the Key menu and return to the mains menu. Select another menu or press EXIT again to exit the programming.

5-8 - Wireless key menu

The Wireless key menu corresponds to the **menu 13** and it permits programming of the wireless keys. The wireless keys have no access to programming and are subject to the restrictions imposed by the access periods. The 4 options are identified by a name and number (see the table).

Option	Description
1 Periods	Association of the wireless key to the access periods
2 Ass. buttons	Programming of the keys
3 Attributes	Programming of the attributes
4 Learning	Learning of the wireless key



Selection of the wireless key

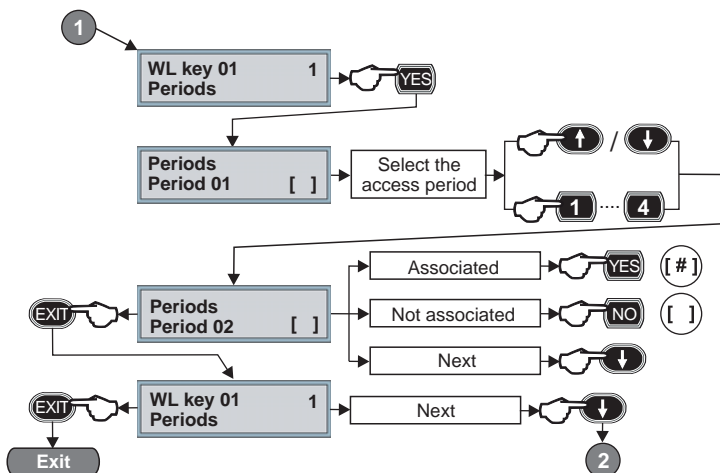
Select the wireless key using either the arrow keys or the numerical ones and press YES to confirm.

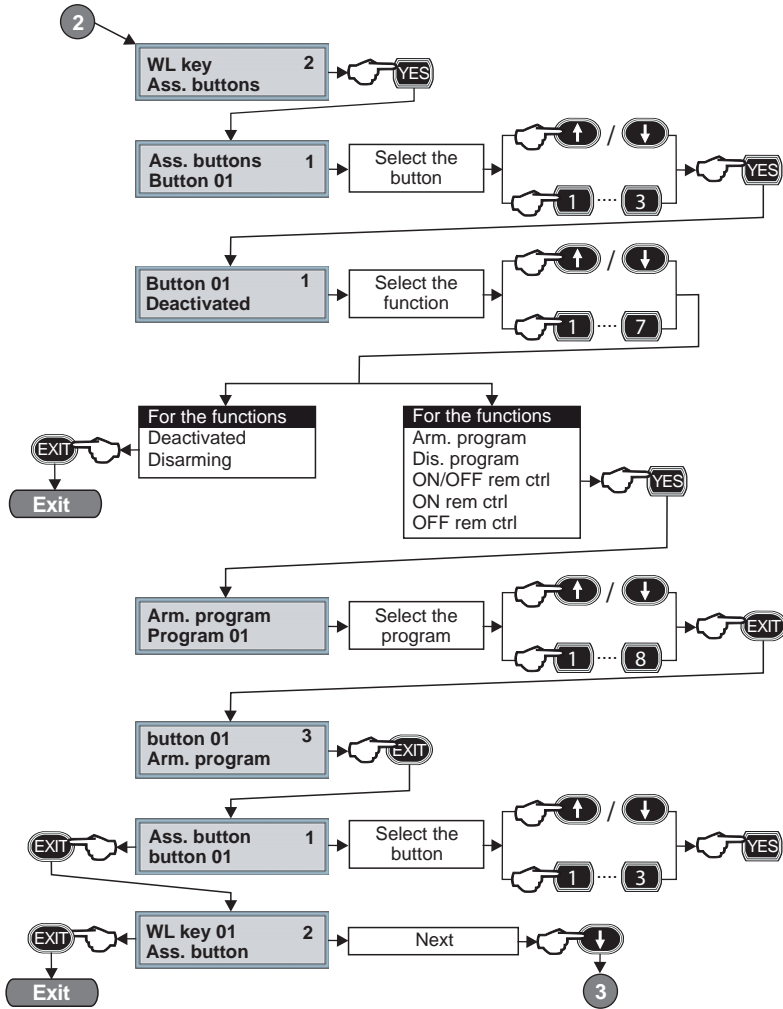
Selection of the option

Select the option using the numerical keys and press YES to confirm. Continue the programming following the instructions of the corresponding paragraph (1, 2, 3, 4).

1 - Periods

Press 1 to select the option and press YES to confirm. Select the access periods to be associated to the wireless key using either the arrow keys or the numerical ones. Press YES to confirm the association. Press NO to cancel the association. Use the arrow keys to select the following access period. Repeat the procedure to associate other access periods. Press EXIT once to select another option. Press EXIT a second time to exit the submenu.





2 - Ass. buttons

Press 2 to select the option and press YES to confirm. Select the buttons using either the arrow keys or the numerical ones.

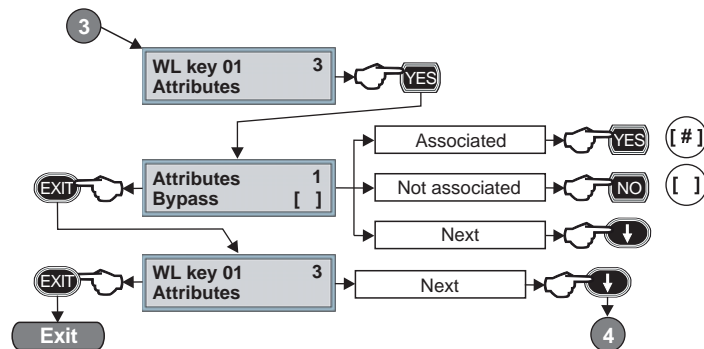
According to the desired function, press EXIT to associate the function and return to the upper level or YES to continue.

Selecting a function which require others programming, e.g. arming program, follow the sequence indicated by the beside example.

Press EXIT once to select another button.

Press EXIT a second time to select another option.

Press EXIT a third time to select another wireless key.



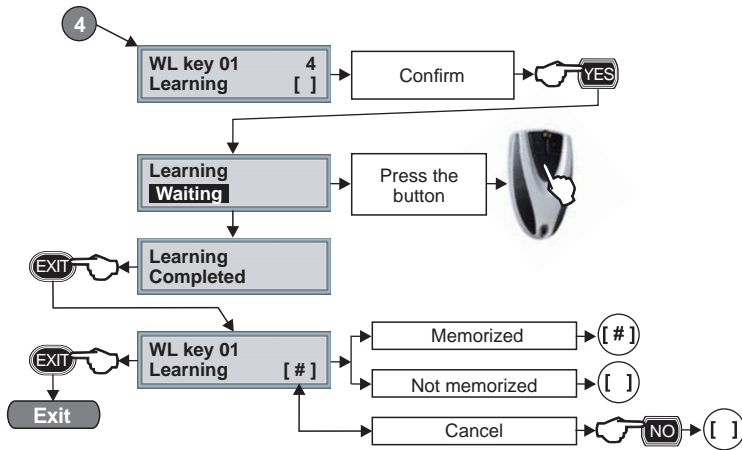
3 - Attributes

Press 3 to select the option and press YES to confirm. Press YES to associate the attribute to the wireless key. Press NO to cancel the association.

Use the arrow down key to select the following attribute. Repeat the procedure to associate other attributes to the wireless key.

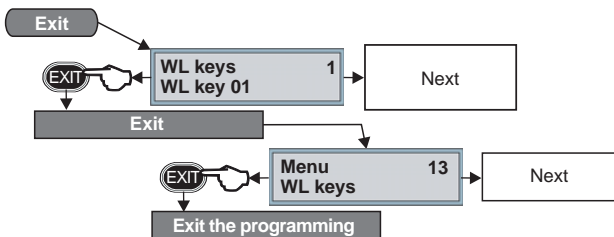
Press EXIT once to select another option.

Press EXIT a second time to exit the submenu.



4 - Learning

Press 5 to select the option and press YES to confirm.
 Press NO to cancel a wireless key already memorized.
 Press YES to memorize a new wireless key.
 Confirming, on the display of the console is viewed Waiting.
 If the wireless key is recognized, on the display of the console is viewed Completed.
 Press EXIT once to select another option.
 Press EXIT a second time to exit the submenu.

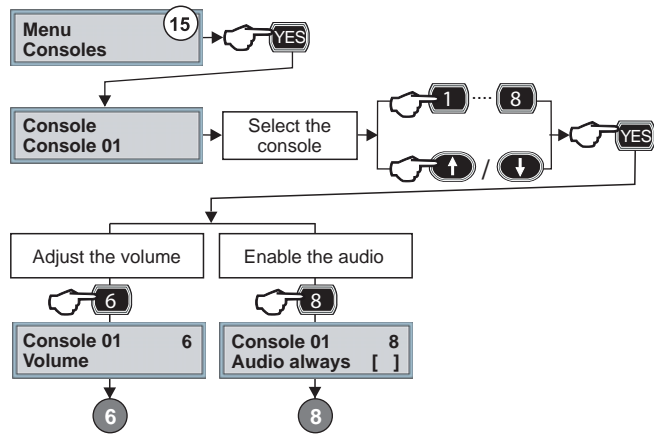


Press EXIT once to exit the Wireless key menu and return to the mains menu.
 Select another menu or press EXIT again to exit the programming.

5-9 - Console menu

The Console menu corresponds to the **menu 15** and permits the adjustment of the audio of the consoles which are equipped with a speaker and voice synthesis (LCD300/S, LCDPROX1 and UTS). The 2 options are identified by a name and number (see the table).

Option	Description
6	Volume
8	Audio always



Selection of the console

Select the transponder using either the arrow keys or the numerical ones and press YES to confirm.

Selection of the option

Select the option using the numerical keys and press YES to confirm.

Continue the programming following the instructions of the corresponding paragraph (6, 8).

6 - Volume

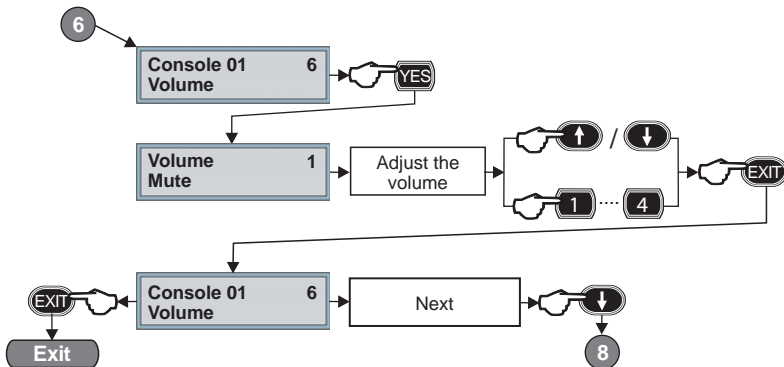
Press 6 to select the option and press YES to confirm.

Select one of the audio options audio using either the arrow keys or the numerical ones.

The volume of the speaker can be programmed as mute or set on 4 levels.

Press EXIT once to select another option.

Press EXIT a second time to exit the submenu.



8 - Audio always

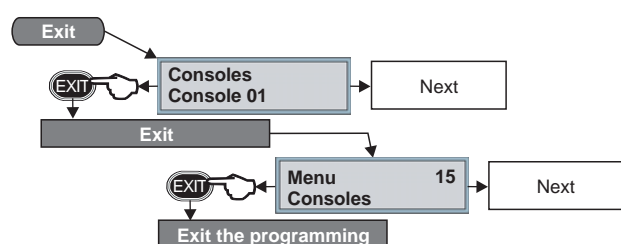
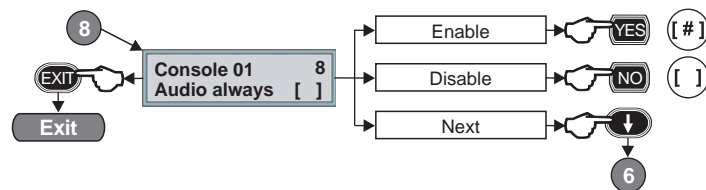
Press 8 to select the option.

Press YES to enable the option.

The console reproduces the voice messages even if the operations (e.g. Arming/disarming) are executed from other console.

Press NO to disable the option.

Select another option or press EXIT to exit the submenu.



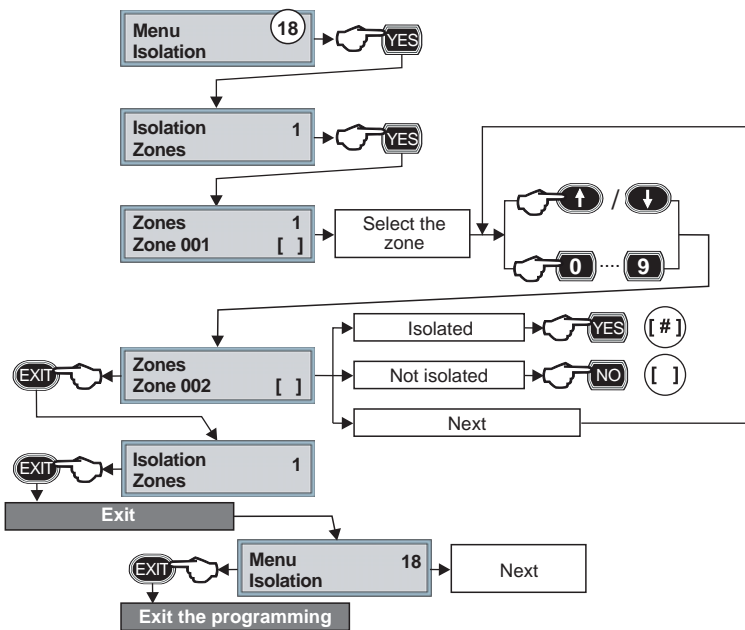
Press EXIT once to exit the Wireless key menu and return to the mains menu.

Select another menu or press EXIT again to exit the programming.

5-10 - Isolation menu

The Isolation menu corresponds to the **menu 18** and it allows to voluntary isolate zones from the detection, i.e. permanent disabling to the alarm detection. The isolation continues until it is revoked and the reintegration of the zone. The tamper protection of the isolated zone is deactivated.

Option	Description
1 Zones	Permits the isolation of zones (permanent disabling of detection)



Select the Insulation menu, and press YES to confirm. Select the zone to be isolated using either the arrow keys or the numerical ones. Press YES to confirm the isolation. Press NO to cancel the isolation. Repeat the procedure for all the zones to be isolated. Press EXIT twice to exit the Isolation menu and return to the mains menu.

Warning: For the security reasons, the isolation of a zone must only be used during emergency and should not become a permanent condition. It is recommended to limit the number of isolated zone. Remember to integrate the zones which have been isolated when the emergency ends. Each isolation and integration operations of the zone are recorded into the event log of the control panel.

5-11 - Test menu

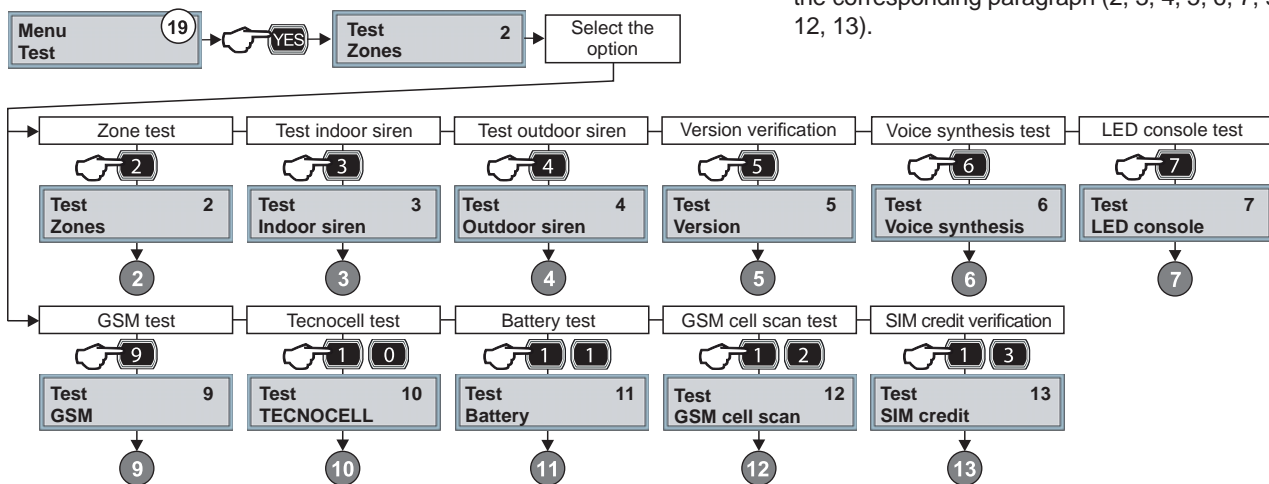
The Test menu corresponds to the **menu 19** and it allows to check the smooth functioning of the system devices and to verify which firmware versions are used. The 11 options are identified by a name and number (see the table).

Option	Description
2 Zones	Tests the functioning of the zones of the system
3 Indoor siren	Tests the functioning of the indoor siren of the system
4 Outdoor siren	Tests the functioning of the outdoor siren of the system
5 Version	Viewing of the firmware version of the control panel
6 Voice synthesis	Viewing of the vocabulary version of the control panel
7 LED console	Checks the functioning of the LED of the console
9 GSM	Checks the functionality of the GSM (ESP GSM-GPRS), the firmware version and he range
10 Tecnocell	Checks the functionality of the TECNOCELL, the firmware version and the range
11 Battery	Checks the battery voltage
12 GSM cell scan	Checks which provider offers best signal coverage
13 SIM credit	Permits sending a request for the available phone credit (only valid for the prepaid SIM)

Selection of the option

Select the option using the numerical keys and press YES to confirm.

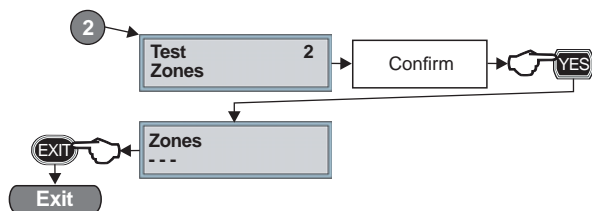
Continue the programming following the instructions of the corresponding paragraph (2, 3, 4, 5, 6, 7, 9, 10, 11, 12, 13).



2 - Zones

Press 2 to select the test and press YES to confirm. Cause an alarm to execute the test of the system detectors.

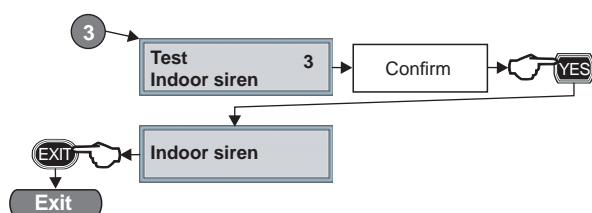
On the display of the console are viewed in sequence the number or the name of the zones (detectors) which has been positively responded to the test. Press EXIT to return to the Test menu.

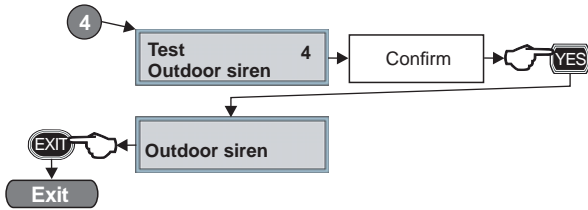


3 - Indoor siren

Press 3 to select the test, and press YES to confirm. The test verifies the functioning of the indoor siren.

If the siren working correctly, it rings. Press EXIT to complete the test and return to the Test menu.

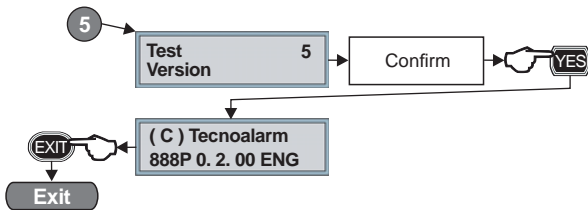




4 - Outdoor siren

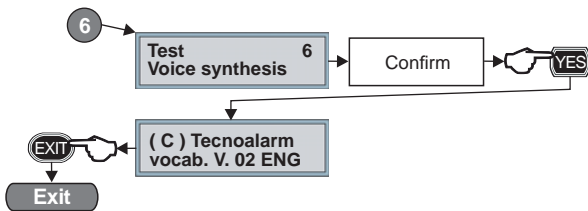
Press 4 to select the test, and press YES to confirm. The test verifies the functioning of the outdoor siren. If the siren working correctly, it rings. Press EXIT to complete the test and return to the Test menu.

Example



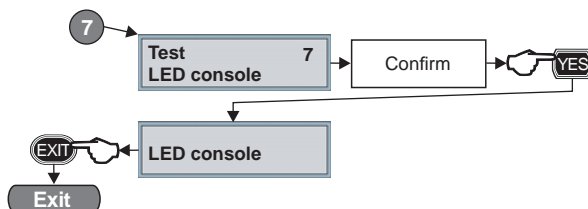
5 - Version

Press 5 to select the test, and press YES to confirm. The firmware version of the control panel is viewed on the display. Press EXIT to return to the Test menu.



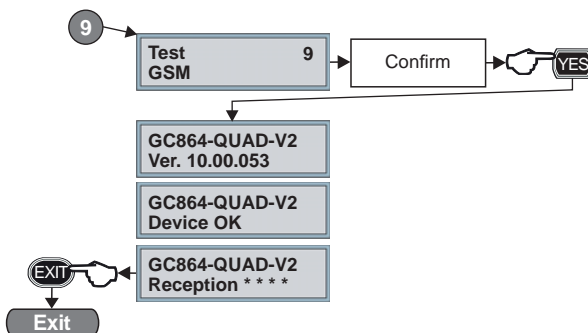
6 - Voice synthesis

Press 6 to select the test, and press YES to confirm. The vocabulary version of the control panel is viewed on the display. Press EXIT to return to the Test menu.



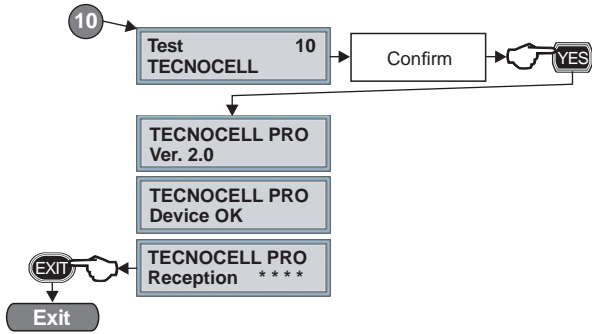
7 - LED console

Press 7 to select the test, and press YES to confirm. The test verifies the functioning of the LED of the console. For this, all the LED of the console are turned on. Press EXIT to return to the Test menu.



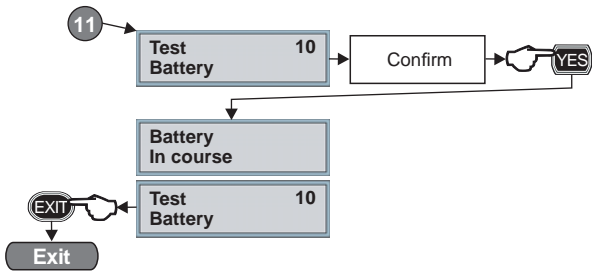
9 - GSM

Press 9 to select the test, and press YES to confirm. The test verifies the functioning of the internal GSM interface ESP GSM-GPRS and displays the firmware version and the signal power. The three information are viewed in sequence. Press EXIT to return to the Test menu.



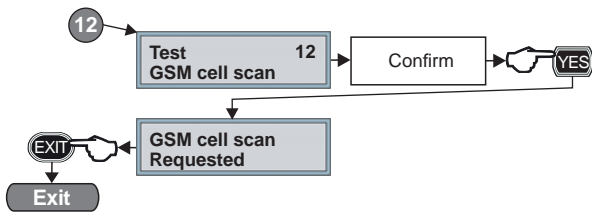
10 - Tecnocell

Press 10 to select the test, and press YES to confirm. The test verifies the functioning of the external GSM interface TECNOCELL and displays the firmware version and the signal power. The three information are viewed in sequence. Press EXIT to return to the Test menu.



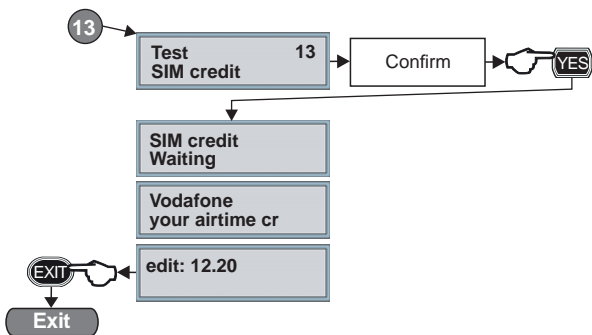
11 - Battery

Press 11 to select the test, and press YES to confirm. The test verifies if the battery voltage is within the permitted limit. The test takes a few seconds and is automatically completed. Press EXIT to return to the Test menu.



12 - GSM cell scan

Press 12 to select the test, and press YES to confirm. The test starts the search and on the display is viewed the provider with the best signal. Press EXIT to return to the Test menu. **Warning:** The test must be executed without SIM card. Remove the SIM before starting.



13 - SIM credit

Press 13 to select the test, and press YES to confirm. The test allows to request to the provider the remaining airtime of a SIM card. On the display of the console is viewed Waiting. The request of the airtime is sent to the provider. After a few seconds, on the display of the console appears the answer message which indicates the available credit. Press EXIT to return to the Test menu.

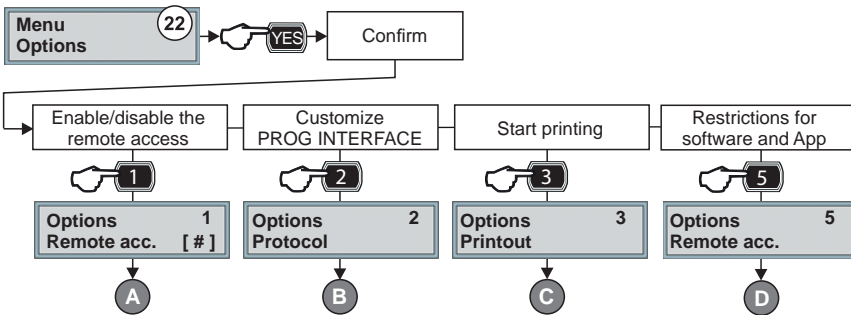


Select another menu or press EXIT to exit the programming.

5-12 - Option menu

The Option menu corresponds to the **menu 22** and it permits enabling/disabling of the remote access to the functions and programming of the control panel, configure the PROG Interface connection port, start a printing and enable the restrictions for access by software and App. This menu is composed of 4 submenus which are identified by a name and number (see the table).

Submenu	Description
1 Remote acc.	Enabling/disabling of the remote access to the data and the functions of the control panel
2 Protocol	Enabling/disabling of the communication protocol
3 Printout	Printing of the events which are stored into the event
5 Access restrict.	Programming of the remote access restrictions for the installer (software) and user (App).

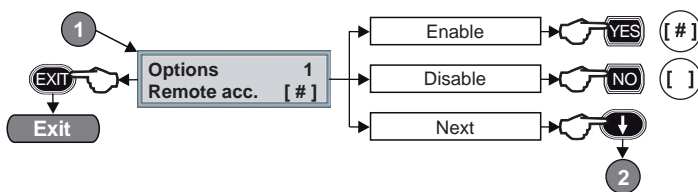


Selection of the submenu

Select the submenu using the numerical keys and press YES to confirm.

Continue the programming following the instructions of the corresponding paragraph (A, B, C, D).

5-12-A - Remote access



Press 1 to select the submenu and enable/disable remote access.

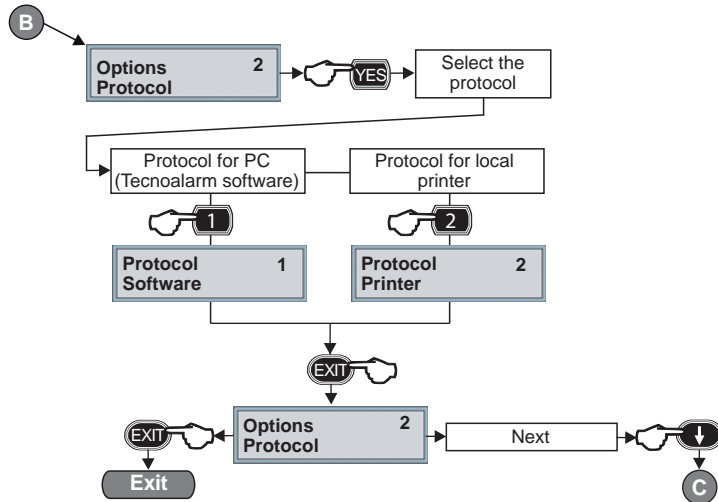
Press YES to enable the access.

Press NO to disable the access.

Press EXIT to return to the Option menu.

Warning: This option concerns both the access of the installer and users.

5-12-B - Protocol



Press 2 to select the submenu, and press YES to confirm.

The submenu permits configuration of the connection port PROG INTERFACE with the communication protocol for a computer (Tecnoalarm software) or a local printer.

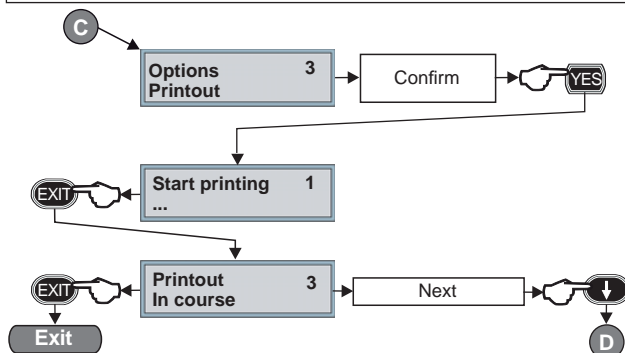
Select the protocol using the numerical keys.

Press EXIT once to return to the submenu.

Select another menu or press EXIT to return to the mains menu.

Warning: Consult the installer before beginning.

5-12-C - Printout



Press 3 to select the submenu.

Press YES to start the printing.

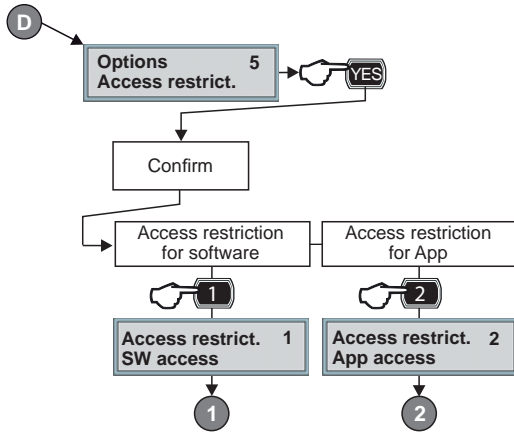
Press EXIT once to stop the printing.

Press EXIT again to return to the Option menu.

5-12-D - Access restrictions

Press 5 to select the submenu, and press YES to confirm. The submenu permits programming of the restrictions for access by software and App. The 2 options are identified by a name and number (see the table).

Option	Description
1 SW access	Programming of the access restrictions to the software tools used by installer for the system maintenance
2 App access	Programming of the access restrictions to the applications usable by the users of the system



Selection of the option

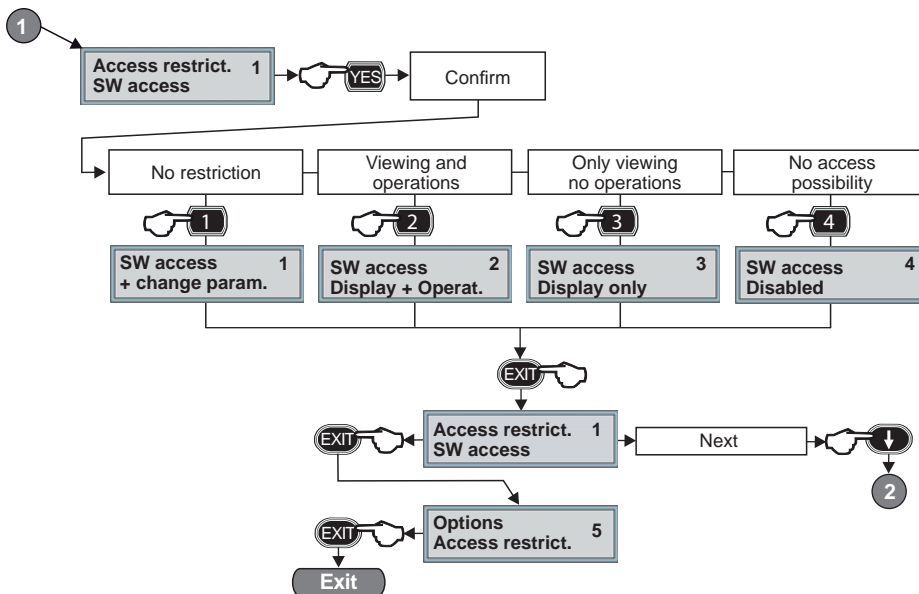
Select the option using the numerical keys and press YES to confirm.

Continue the programming following the instructions of the corresponding paragraph (1, 2).

1 - SW access

Press 1 to select the option and press YES to confirm. Permits the selection of the restriction level to apply to the remote access by software from the options listed in the following table.

Option	Description
1 + change param.	The installer has no remote access restriction
2 Display + Operat.	The installer can view the status of the control panel and act on the programs and remote controls
3 Display only	The installer can only view the status of the control panel
4 Disabled	The installer cannot accede and operate on the control panel



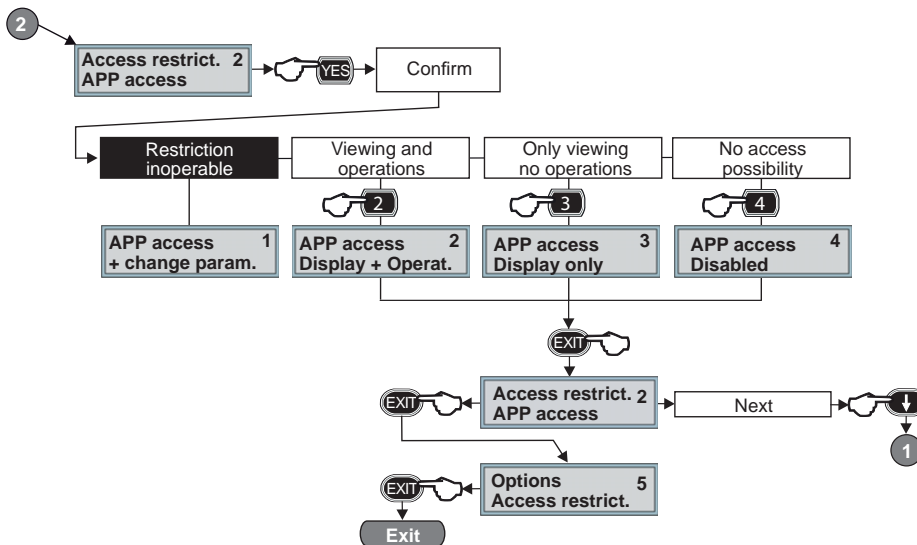
Program the function using the numerical keys.
Press EXIT once to return to the submenu.
Press EXIT again to exit the submenu and return to the mains menu.

SW restrictions	System status viewing	Parameter viewing	System control	Parameter modification
+ change param.	Yes	Yes	Yes	Yes
Display + Operat.	Yes	Yes	Yes	No
Display only	Yes	Yes	No	No
Disabled	No	No	No	No

2 - APP access

Press 2 to select the option and press YES to confirm. Permits the selection of the restriction level to apply to the remote access by application from the options listed in the following table.

Option	Description
1 + change param.	Warning: Function not implemented
2 Display + Operat.	The users can control the programs and remote controls and view the event log
3 Display only	The users can view the status of the programs and remote controls and view the event log
4 Disabled	The users cannot operate on the control panel (features of the App blocked)



Program the function using the numerical keys. Press EXIT once to return to the submenu. Press EXIT again to exit the submenu and return to the mains menu.

App restrictions	System status viewing	Parameter viewing	System control	Parameter modification
+ change param.	Inoperable			Function not permitted
Display + Operat.	Yes	Yes	Yes	
Display only	Yes	Yes	No	
Disabled	No	No	No	



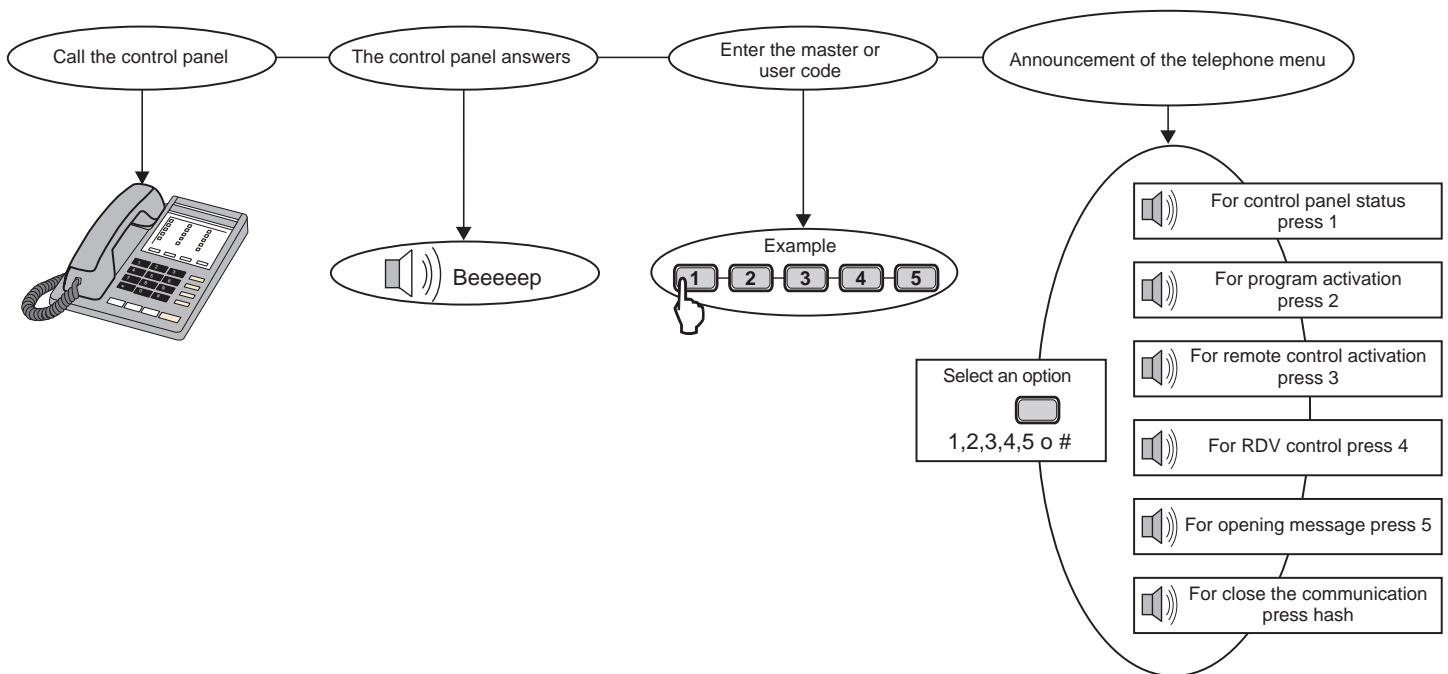
Press EXIT once to exit the Wireless keys menu and return to the mains menu. Select another menu or press EXIT again to exit the programming.

6 - CONTROL BY TELEPHONE

By calling the control panel to the telephone number to which it is connected, it is possible to check its status, the alarms, arm/disarm the programs, activate/deactivate the remote controls, activate the RDV[®] function and record the opening message.

Option	Description	
1	System status	Checking of the system status (system OK or active alarm)
2	Programs	Arming/disarming of the programs
3	Remote controls	Activation/deactivation of the remote controls
4	RDV	Digital verification (only if the control panel is equipped with RDV [®] detectors)
5	Opening message	Recording of the opening message
#	End call	Closing of the phone call

In the following the access to the phone menu is described:



1 - System status

Press 1 to check the system status.
The control panel answers OK or lists the possible stored alarms.

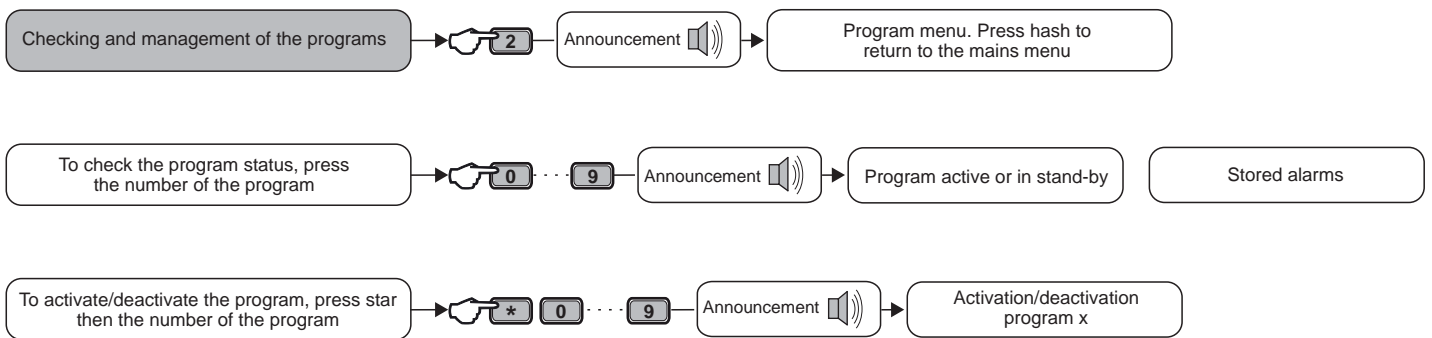


2 - Programs

Press 2 to check the status of the programs and arm/disarm them.

Status verification - Enter the number of the program and wait the answer of the control panel: "program active or deactivated". The control panel lists the possible stored alarms.

Activation/deactivation - Press the star key followed by the number of the program, wait the answer of the control panel: "Activation (deactivation) program x".

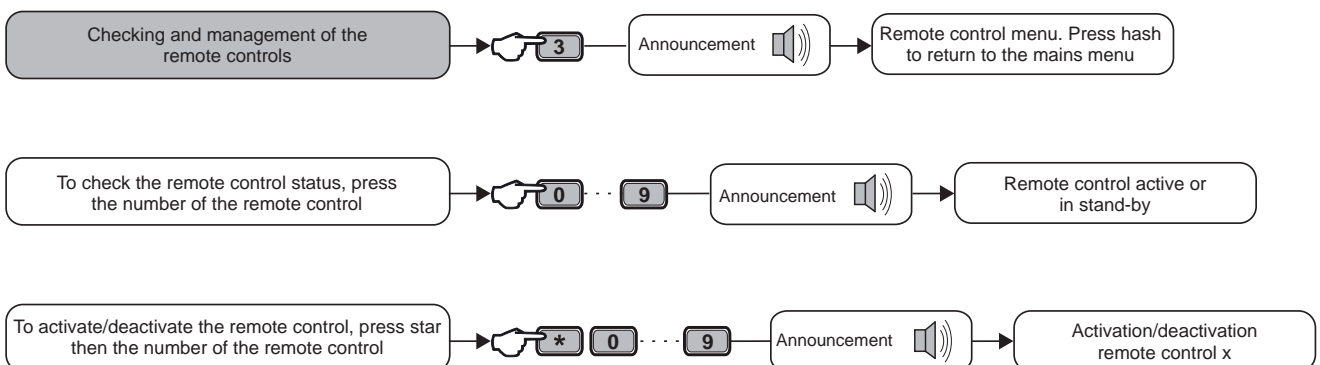


3 - Remote controls

Press 3 to check the status of the remote controls and activate/deactivate them.

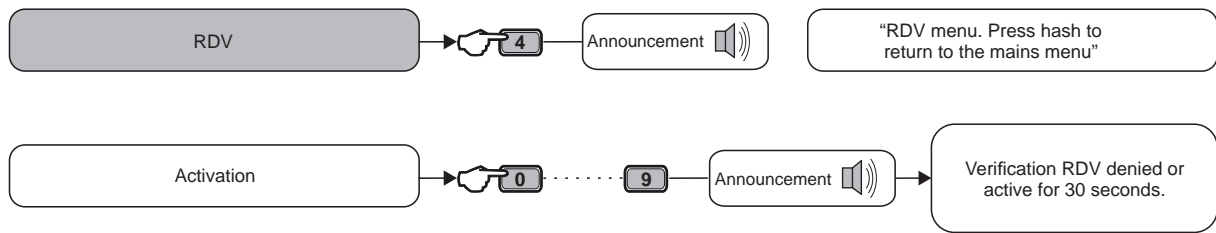
Status verification - Enter the number of the remote control and wait the answer of the control panel: "remote control active or deactivated".

Activation/deactivation - Press the star key followed by the number of the remote control, and wait the answer of the control panel: "Activation (deactivation) remote control x".



4 - RDV

Press 4 to activate/deactivate the RDV[®] function.
 Select the number of the RDV[®] zone to be checked.
 The control panel answers by listening to the detected movement during 30 seconds.



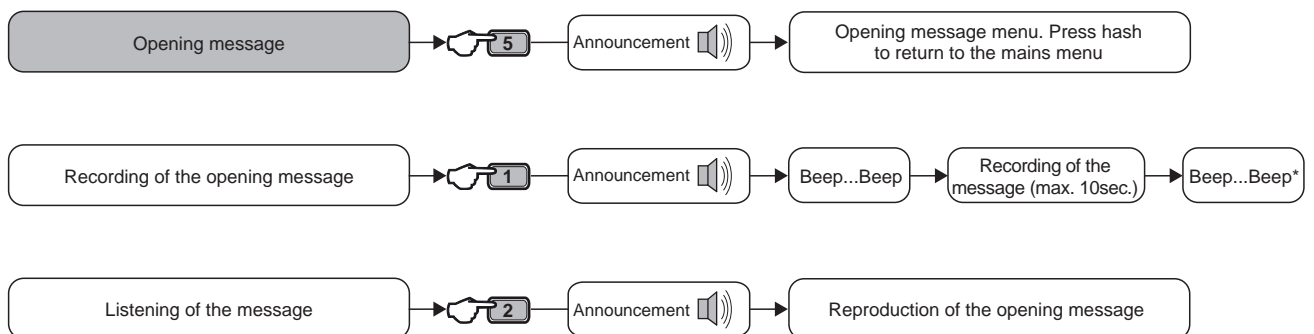
Warning: The RDV[®] function can only be activated if the selected zone is protected by an RDV[®].

5 - Opening message

Press 5 to listen and record the opening message.

Recording - Press 1, and wait the answer of the control panel with 2 beeps after which it is possible to record the message. Speak loudly and clearly. On expiry of the recording time which is 10 seconds, the control panel emits 2 beeps.

Listening - Press 2, and wait the answer of the control panel with a reproduction of the recorded message



Warning: The maximum recording time is 10 seconds.

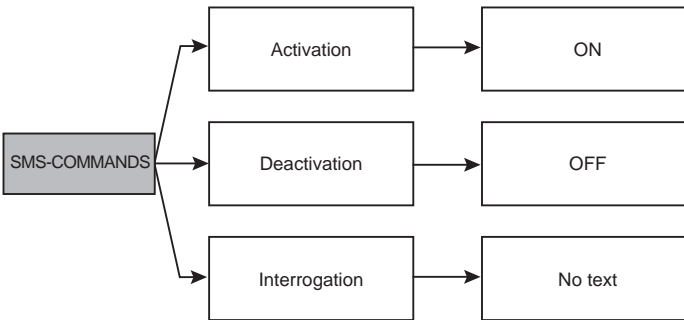
7 - MANAGEMENT WITH SMS MESSAGES



Sending the SMS messages it is possible to interact with the wireless keys of the system and require the remaining airtime to the provider (only for the prepaid SIM).

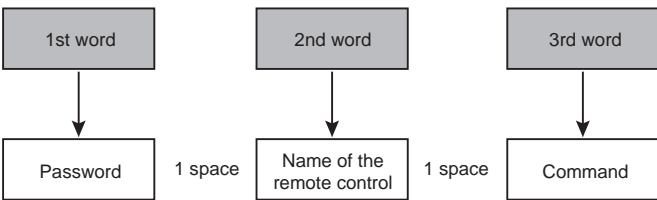
The reception of the message by the system causes the execution of the required operation and sending of a reply SMS to the sender confirming the execution of the required command.

7-1 - SMS-COMMANDS



The user can activate/deactivate the remote controls and check the status by means of the SMS-COMMANDS.
 Activation - The command to activate the remote control is ON.
 Deactivation - The command to deactivate the remote control is OFF.
 Interrogation - There is no command to check the status of the remote control.

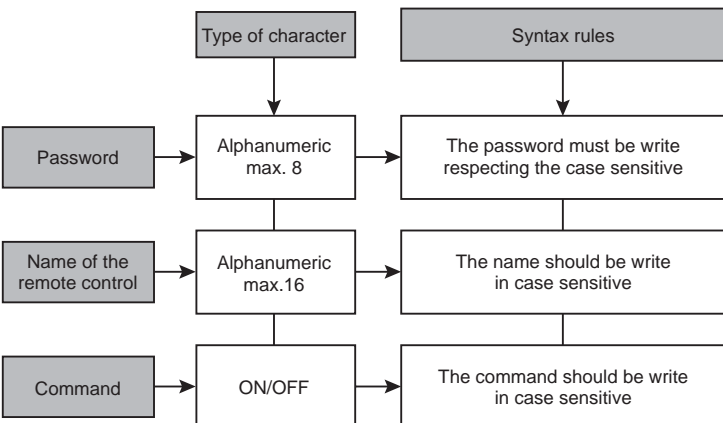
Warning: The SMS must contain exactly the specified command.



Composition of the messages

The messages sent to the control panel are composed of three words separated by a space: password (first word), name of the remote control (second word) and command (third word).

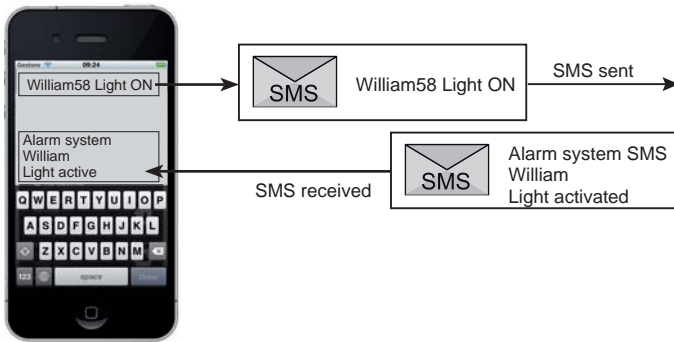
The interrogation command is composed of two words: password (first word) and name of the remote control (second word).



Syntax rules

The messages sent to the control panel must follow a precise syntax rules:

- Password - It must be composed of 8 alphanumeric characters case sensitive.
- Name of the remote control - It must be composed of 16 characters. The case sensitive are not distinguished.
- Command - The command syntax is by default ON/OFF. The case sensitive are not considered.



Example

In the beside example the lighting for SMS is activated. The name of the system is William. The password of the SMS-COMMANDS is William58 and the name of the remote control to be activated is Light. The text to be sent to the control panel is:

William58 Light ON

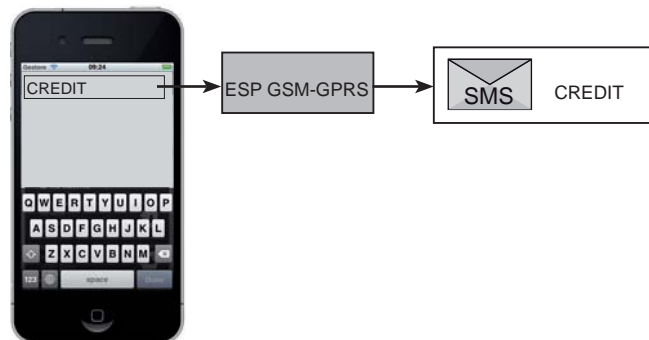
The reception of the message from the control panel causes the execution of the required operation. A reply SMS is sent to the sender confirming that the required command has been executed:

Alarm system William Light active

Security

To maintain a high security level, the system accepts and processes only the messages containing the correct password. It is possible to increase the security level indicating to the system which telephone numbers are authorized to execute operations via SMS. These telephone numbers must be programmed into the White list (menu Telephone – GSM – White list 1/2/3). The list should contain a total of 3 telephone numbers.

7-2 - Airtime request



If the internal GSM interface ESP GSM-GPRS and/ or the external GSM transmitter TECNOCELL use the prepaid SIM cards, it is necessary to periodically check the remaining airtime.

ESP GSM-GPRS

Program in the menu Telephone - GSM the Credit num. and Enab. cred. SMS parameters.

Programming of the parameters allows to require the remaining airtime by SMS.

Text of the SMS for the ESP GSM-GPRS: Credit

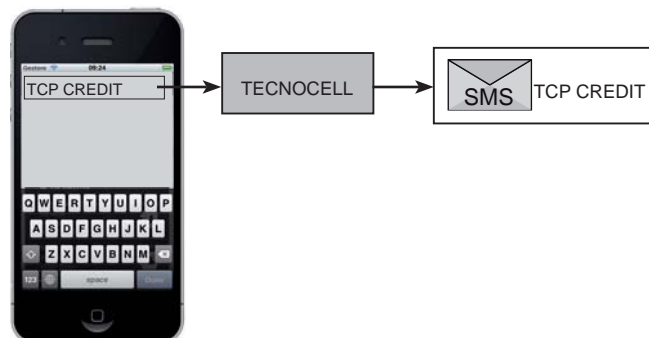
Warning: Respect the case sensitive and the space between the words. The reception of the message causes the sending of a reply SMS to the sender which contain the information corresponding to the remaining credit.

TECNOCELL

The TECNOCELL transmitter requires the remaining airtime without a specific programming.

Text of the SMS for the TECNOCELL: TCP CREDIT

Warning: Respect the case sensitive and the space between the words. The reception of the message causes the sending of a reply SMS to the sender which contain the information corresponding to the remaining credit.



8 - PERIODIC MAINTENANCE OF THE SYSTEM

To guarantee the efficiency of the burglar alarm system it is necessary to provide an appropriate maintenance program. The frequency of the maintenance depends on different factors, anyway it is recommended to execute a control about every 6 months. These operations should be made by specialized technical staff, the same who has been developed the project and completed the installation. The European standards series EN 50131 include the possibility to remotely execute one of the two required inspections.

The most important controls are:

- The status of the power supplies and system batteries
- The status of the batteries and self-powered devices (sirens and transmitters)
- The functional verification and coverage of the movement and perimeter detectors
- The efficiency of the control units and procedures for arming of the program
- The efficiency of the warning devices
- The correct detection and management of the tamper alarms
- The other secondary functions (e.g. activation of hold-up alarm etc.)
- The correct connection of the cables to the terminals
- The final inspection report



Tecnalarm

Via Ciriè, 38 - 10099 - San Mauro T.se Torino (Italy)
tel. +390112235410 - fax +390112735590
tecnalarm@tecnalarm.com - www.tecnalarm.com



Tecnalarm FRANCE

495, Rue Antoine Pinay - 69740 Genas
Lyon (France)
tél. +33478406525
fax +33478406746
tecnalarm.france@tecnalarm.com
www.tecnalarm.com
Agence de Paris:
125, Rue Louis Roche
92230 Gennevilliers

Tecnalarm ESPAÑA

c/Vapor 18 (Pol. Ind. El Regas)
08850 Gavá - Barcelona (España)
tel. +34936622417
tecnalarm@tecnalarm.es
www.tecnalarm.com