

LAC-1

Laser Area Checker

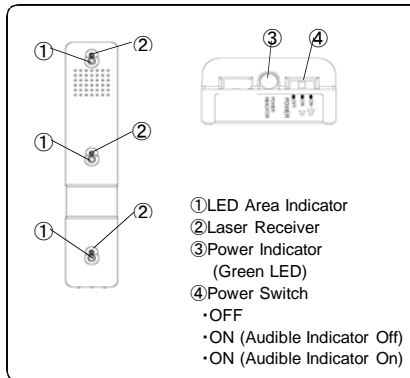
The LAC-1 Laser Area Checker will confirm location of REDSCAN's detection area by LED and audible indicators. It will generate 2 steps indicator high or low in order to locate high sensitive detection area.



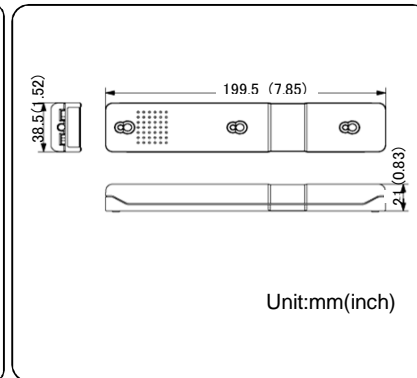
1. SPECIFICATION

Power Supply	4.5VDC / AAA Alkaline Battery x 3 « Caution » ·Supplied batteries may not work for below-mentioned battery life due to stocking conditions ·Use alkaline batteries only
Power Indicator	Green LED On when power is supplied Green LED blinks for low battery
LED Area Indicator	Red LED Blinks when there is detection area
Audible Indicator	Beeps on and off when there is detection area *Red LED also blinks
Battery Life	45 hours when LED/Audible indicator operating

2. PARTS IDENTIFICATION



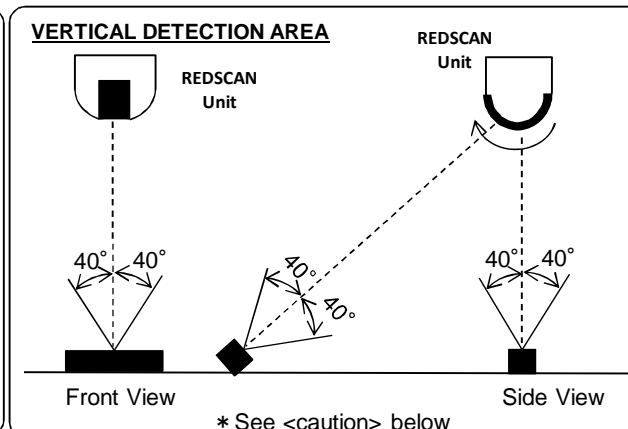
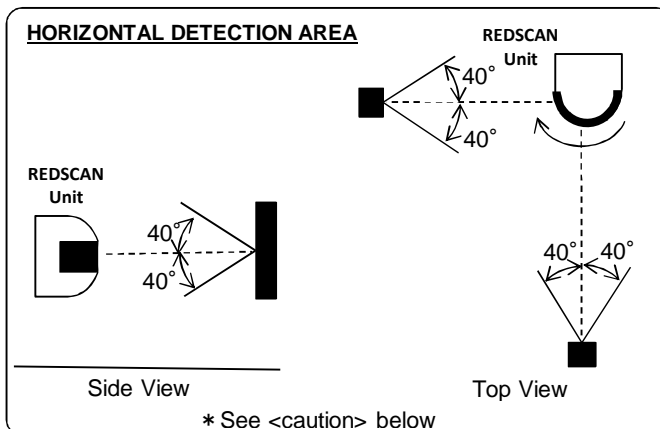
3. DIMENSIONS



4. HOW TO USE

- 1.Set batteries
- 2.Turn on power switch to "Audible Indicator On" for easy area check
- 3.Confirm REDSCAN is operating, and confirm its detection area by LAC-1
 - Aim LAC-1 towards REDSCAN
 - Move LAC-1 slowly where there may be the detection area
 - When LAC-1 is located in the detection area, Red LED blinks and audible Indicator beeps on and off.

4. Confirm High Sensitive Detection Area by 2 step indicator
 - LAC-1 in Low Sensitive Area
 Red LED blinks slowly and audible indicator beeps on and off slowly in low tone.
 - LAC-1 in High Sensitive Area
 Red LED blinks quickly and audible indicator beeps on and off quickly in high tone.



<HINTS>
 3 LED's indicate detection area sensitivity independently to locate high sensitive area precisely.

If one of 3 LED's is blinking quickly, it stays in high sensitive area but the others do not.

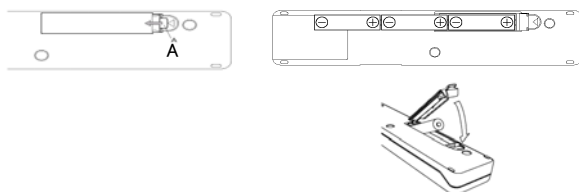
If all 3 LED's are blinking quickly, all stay in high sensitive area, namely LAC-1 is located parallel to detection area

<CAUTION>

- LAC-1 can receive laser beams from REDSCAN within ±40°. If out of this angle, you may not able to have high sensitive indication.
- Place LAC-1's Indicator side at right angle towards REDSCAN's Front Window

5. CHANGING BATTERIES

- Power indicator (Green LED) blinks when batteries are exhausted.
- 1.Press part A and pull it towards you, and remove lid.
 2. Insert 3 alkaline AAA batteries by putting (-) end first.
 3. Insert the end of lid into the main unit and press it down until it clicks.



6. ALERT IF POWER IS NOT OFF

Turn off power after use. If it is left On without receiving detection area signals for 10 minutes, audible alert is given. Afterwards, alert is given at 1 minute interval until you turn off power.



OPTEX INC. (U.S.)
 URL: <http://www.optexamerica.com>

OPTEX DO BRASIL LTDA. (Brazil)
 URL: <http://www.optex.net/br/es/sec>

OPTEX (EUROPE) LTD. / EMEA HQ (U.K.)
 URL: <http://www.optex-europe.com>

OPTEX TECHNOLOGIES B.V. (The Netherlands)
 URL: <http://www.optex.eu>

OPTEX SECURITY SAS (France)
 URL: <http://www.optex-security.com>

OPTEX CO., LTD. (JAPAN)
 URL: <http://www.optex.net>

OPTEX SECURITY Sp.z o.o. (Poland)
 URL: <http://www.optex.com.pl>

OPTEX PINNACLE INDIA, PVT., LTD
 URL: <http://www.optex.net/in/en/sec>

OPTEX KOREA CO.,LTD. (Korea)
 URL: <http://www.optexkorea.com>

OPTEX (DONGGUAN) CO.,LTD. SHANGHAI OFFICE (China)
 URL: <http://www.optexchina.com>

OPTEX (Thailand) CO., LTD. (Thailar)
 URL: <http://www.optex.net/th>