

# Paging Microphone PDM200

# AUDAC

PROFESSIONAL AUDIO EQUIPMENT  
PDM200 Paging Microphone

---



# User Manual

© AUDAC  
<http://www.audac.eu>  
[info@audac.eu](mailto:info@audac.eu)

## General

The PDM200 is a polyvalent dynamic gooseneck microphone, mounted on a solid, very stable base and fitted with a three function switch.

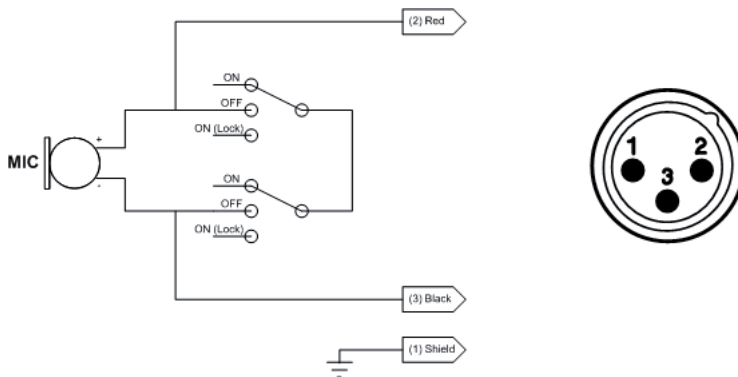
The functions are:

- Permanently on
- Momentary on
- Off

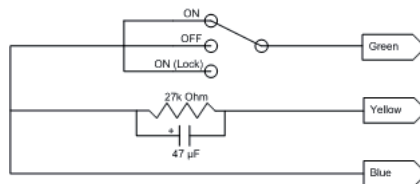
It is also equipped with a RC network for the operation of chime modules. Due to its uni-directional characteristics, it is suitable for making announcements in big area's like conference places, warehouses, professional offices, shops, ...

A connection cable with a length of 1.5m is attached to the base of the unit.

## Microphone Circuit



## Chime Circuit

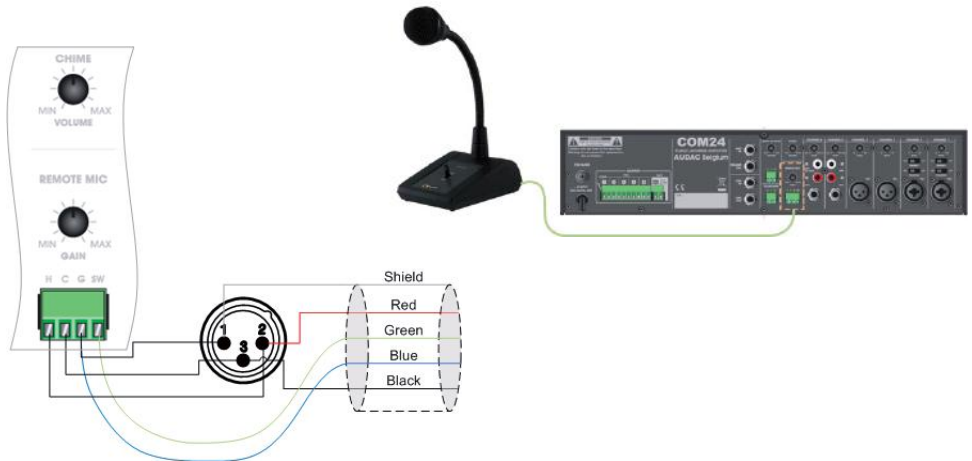


## Connecting the PDM200

When connecting the PDM200 to an AUDAC COM12/24 Public Address amplifier using the integrated chime module of the COM12/24, the microphone should be connected to the “Remote Mic” input according to the diagram shown below:

Connect the

- 1) Shield (Pin 1 of XLR) to the G (Ground) terminal
- 2) Red wire (Pin 2 of XLR) to the H (Hot) terminal
- 3) Black wire (Pin 3 of XLR) to the C (Cold) terminal
- 4) Blue wire of the chime circuit to the G (Ground) terminal
- 5) Green wire of the chime circuit to the SW (Switch) terminal



## Specifications

Microphone type	Dynamic
Polar pattern	Cardioid
Frequency response	80 Hz - 12 kHz
Sensitivity	-72 dB ± 3 dB
Impedance	600 Ohm
Output connections	3-pin XLR 3 connection leads (Chime)
Connection cable	1.5 meter
Dimensions	162 x 122 x 368 mm
Weight	960g

CE



Eligible to bear CE marking. Conforms to European EMC Directive 89/336/EEC. Meets applicable tests and performance criteria in European standard EN 55103 (1996) parts 1 and 2, for residential (E1) and light industrial (E2) environments.