

DS-1331HZ-H

Outdoor Housing



Features:

- Adopt side-cover design for convenient installation and maintenance.
- Adopt stainless steel dual-hasp design, water-proof up to IP 67
- Partial glass silk print to protect imaging area
- Built-in automatic temperature control system to ensure stable running.

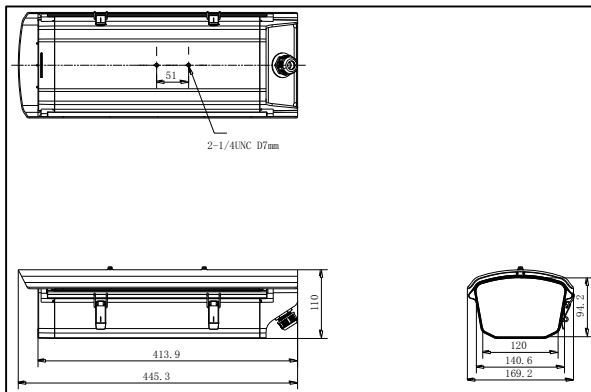
Notice:

- Read the instructions carefully and observe all warnings before installing this equipment.
- Turn off the power before wiping this equipment, do not use liquid or spray cleaning agent.
- Do not install on unstable bracket.
- Protect the power line, especially the flexible line of the plug and camera.

Order Model:

DS-1331HZ-H

Dimension:



Installation:



DS-1293ZJ Wall Mount



DS-1214ZJ Horizontal Pole Mount



DS-1269ZJ Pendant Mount

Parameter:

Parameters	Model	DS-1331HZ-H
		Outdoor housing
Produce features		Contain heater, fan
Working temperature		-40°C~+60 °C, Humidity 95% or less (non-condensing)
Automatic temperature control range		-40°C ~ +60°C Heater on: 5°C±5°C, fan operating for constant temperature; Fan on: 40°±5°C, for heat dissipation
Power		AC 24V
Power consumption		Fan: 4W, Heater: 60W
Protection level		IP67
Material		Main: aluminum alloy Window: glass
Dimension(mm)		445.3×110×169.2
Matching power supply		AC24V 4A power pack
Weight		1900g

Wiring:

