



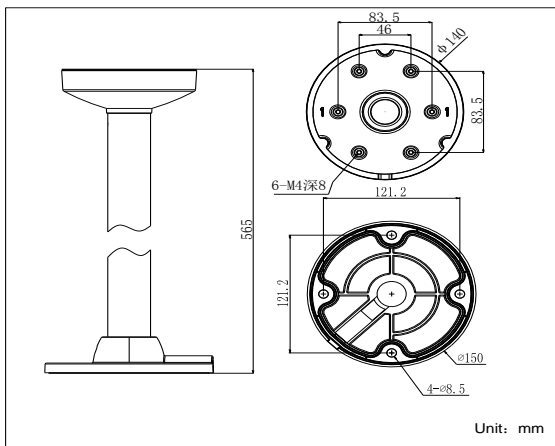
DS-1271ZJ-140

Pendent Mounting Bracket for
Dome Camera

Features:

- Aluminum alloy material with surface spray treatment
- Waterproof design
- Cable hole on bracket makes the feature better
- Design of cap is for convenient wiring

Dimension:



Model Suitable:

DS-2CC51xxP(N)-VP, DS-2CC51xxP(N)-VPIR, DS-2CC51xxP(N)-VPIRH

Order Model:

DS-1271ZJ-140

Parameter:

Model	DS-1271ZJ-140
Parameters	Pendent Mounting Bracket for Dome Camera
Appearance	Hik White
Material	Aluminum Alloy
Dimension	150X565mm
Weight	1900g

Notice:

- The bracket should be installed on flat wall
- The wall must be capable of supporting over 3 times as much as the total weight of the camera and the mount.
- The maximum load capacity of the bracket is 4.5KG