

## DS-1232ZJ-T

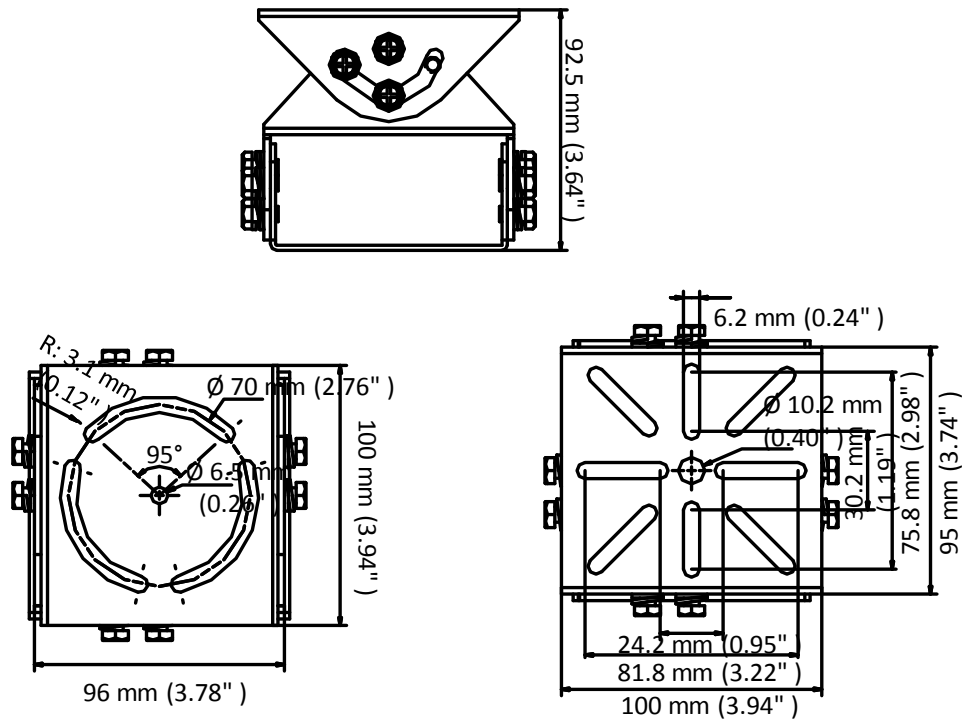
PT Joint



### Feature

- Steel and stainless steel with surface spray treatment
- Adjustable tilt angle from -90° to 90°, and pan angle from 0° to 90°

### Dimension



### Available Model

DS-1232ZJ-T

### Parameter

Model	DS-1232ZJ-T
Parameters	PT Joint
Appearance	Hikvision White
Material	Steel and Stainless Steel
Dimension	100 mm × 100 mm × 92.5 mm (3.94" × 3.94" × 3.64")
Weight	850 g (1.87 lb.)

### Note

- The joint's maximum load capacity is 6 kg (13.2 lb.).