

## DS-1232ZJ-P

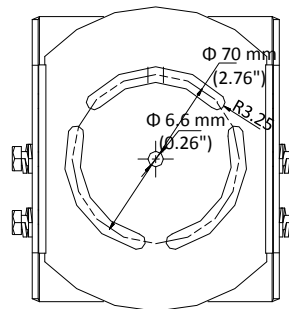
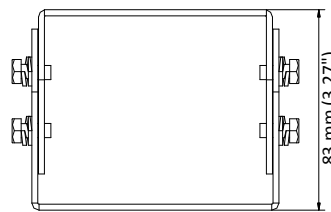
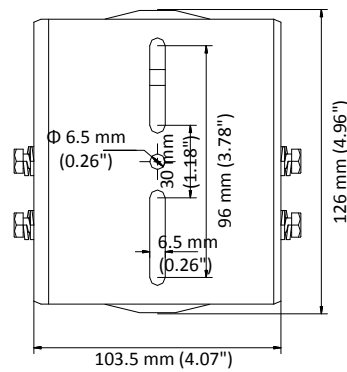
### Cardan Joint



### Feature

- Enables the angle adjustment from  $-60^{\circ}$  to  $60^{\circ}$
- Applied to both indoor and outdoor conditions

### Dimension



### Available Model

DS-1232ZJ

### Parameter

Model	DS-1232ZJ-P
Parameters	Cardan Joint
Appearance	Platinum Gray
Material	Steel
Dimension	126 mm × 103.5 mm × 83 mm (4.96" × 4.07" × 3.27")
Weight	Approx. 760 g (1.68 lb.)

### Note

- The cardan joint should be installed on a flat surface.
- Waterproof rubber is necessary for the outdoor application.
- The wall should be capable of supporting at least 3 times as much as the total weight of the camera and the cardan joint.
- The maximum load capacity of the cardan joint is 6 kg (13.23 lb.).