

SHD-2510FPW

In-ceiling Housing



FC |  | CE | ENEC

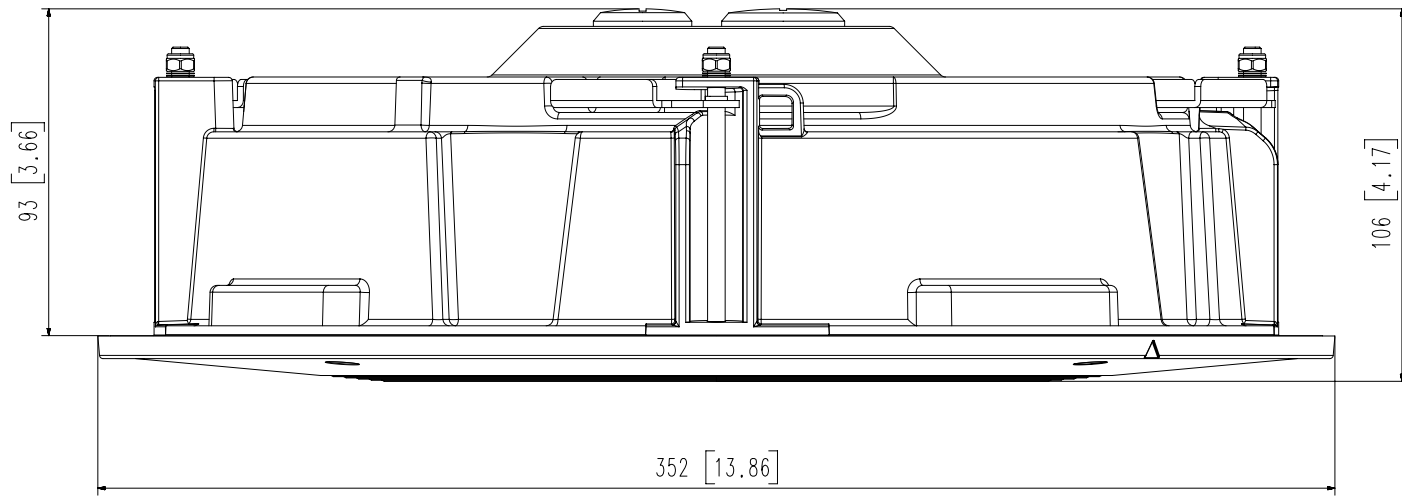
Key Features

- Body : Aluminum / Rim : PC
- Dimensions : Ø352 x H106mm (13.86" x 4.17")
- Weight : 2,100g (4.63 lb)
- Color : White

Mechanical

Color	Rim : White
Material	Body : Aluminum Rim : PC
RAL code	RAL9003
Product dimensions / weight	Ø352 x H106mm (13.86" x 4.17") / 2,100g (4.63 lb)
Supported products	PNM-9084QZ / PNM-8082VT ※ For further compatible models, please visit our website or use Toolbox

- The latest product information / specification can be found at hanwha-security.com
- Design and specifications are subject to change without notice.
- Wisenet is the proprietary brand of Hanwha Techwin, formerly known as Samsung Techwin.



A2

© Hanwha Techwin Co., Ltd. All rights reserved.

3	파생 MODEL2	
2	파생 MODEL1	
1	SHD-2510FPW	'20.09.16
No.	MODEL NAME	DATE
Unit:mm[inch] SCALE:1/1		Hanwha Techwin