

NDA S-SIGHT SERIES

Provision-ISR S-SIGHT series provides you with all you need for a simple installation. S-Sight cameras guarantee superior image quality, improved night performance and make an outstanding value-for-money solution.



DI-320IPSN-28-G

20M IR 2MP FIXED LENS DOME/TURRET CAMERA

Equipped with a wide-angle 2.8mm fixed lens, this 2MP dome/turret camera is designed for short-distance surveillance (up to 20m) in indoor and outdoor scenarios. With its excellent performance, reliability, and affordable price, the DI-320IPSN-28-G camera is the perfect solution for basic installations.



MAIN FEATURES

- 2MP
- S-SIGHT
- 1920x1080 Resolution
- 3D-DNR
- IP67

ANALYTICS

- General Analytics: Camera Tampering
- Standard Analytics: Line Crossing, Sterile Area



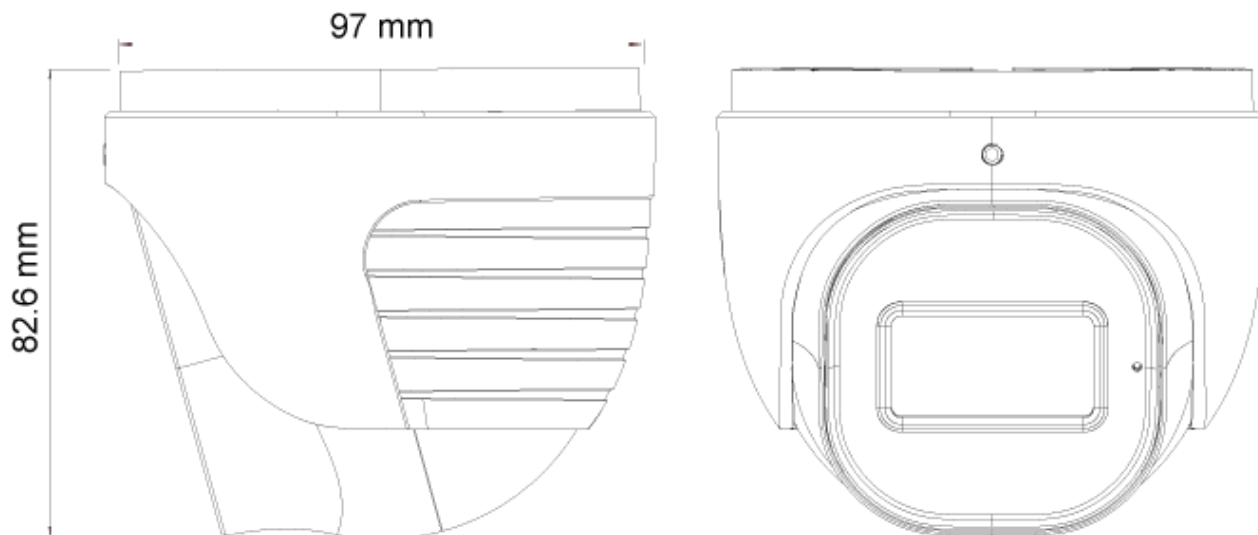
SPECIFICATIONS

| | |
|----------------------|--|
| Image Sensor | 1/2.8" CMOS (16:9) |
| Effective Pixels | 1920x1080 |
| Electronic Shutter | 1/25s ~ 1/100000s |
| Frame Rate | 1-25/30FPS |
| Day & Night | ICR |
| Min. Illumination | Day: 0.1lux / Night: 0.009lux (@F1.6, AGC on) 0lux with IR on |
| Audio compression | G.711A/G.711U |
| Communication | One-way Audio |
| Image Settings | AWB, AGC Adjustable, Exposure Mode (Auto) Sharpness, Saturation, Brightness & Contrast Adjustable |
| Image Enhancement | Digital WDR, BLC, HLC, ROI |
| Noise Reduction | 3D-DNR |
| Image Orientation | Mirror/Flip |
| Privacy Zone | Yes |
| Motion Detection | Yes |
| Analytics | General Analytics: Camera Tampering Standard Analytics: Line Crossing, Sterile Area |
| Video Compression | H.265 / H.264 / MJPEG (Substream only) |
| Resolution | 2MP (1920x1080) / D1 (704x576) / QVGA (480x240) / CIF (352x288) |
| Multi-Stream | Master Stream: 2MP (1920x1080) / 1MP (1280x720) (1~30fps) Substream: QVGA/D1/CIF (1~30fps) |
| Bit rate | 64Kbps ~ 4Mbps@H.265 / 64Kbps ~ 6Mbps@H.264 |
| Encode Mode | VBR/CBR |
| Image Quality | Five levels under VBR; Free adjustment under CBR |
| IR Distance | 20m (1 High-Power IR LED) |
| Lens (Field of View) | 2.8mm (103.7°) |

SPECIFICATIONS

| | |
|---------------------|--|
| Iris | Fixed Iris |
| Lens Mount | M12 mount |
| Protection Rate | Water Proof: IP67 |
| Bracket | 3-Axis Bracket |
| Dimensions | Ø97mm×82.6mm |
| Weight (gross) | ~450g |
| Network | RJ45 (+PoE) |
| Power | DC Socket |
| Analog Video Output | No |
| Audio Connectivity | Built-in Microphone |
| SD Card | Event/Schedule based Main/Substream recording (Up to 128Gb) |
| Hard Reset Button | Yes |
| Alarm | No |
| Remote Monitoring | IE Browsing, VMS Software, Provision Cam2 Mobile App |
| User Access | Supports simultaneous monitoring of up to 3 users with multi-stream real-time transmission |
| Network Protocol | IPv4, IPv6, TCP, UDP, DHCP, NTP, DDNS, 802.1X, RTSP, Multicast, UPnP, Email, FTP, HTTPS, QoS |
| ONVIF | Yes |
| Ethernet | 100Mbps |
| PoE | Yes |
| Power Supply | DC12V/~420mA / PoE/~5.4W |
| Work Environment | -30°C~60°C, 10%~90% Humidity |
| Junction Box | PR-JB12IP66 |

DIMENSIONS



ACCESSORIES



PR-JB12IP66