

IP EYE-SIGHT SERIES

The new Eye-Sight series serves the security professionals seeking a professional line featuring outstanding image quality, full connectivity, and enhanced video analytics functions based on ARTIFICIAL INTELLIGENCE.



I6-340IPEN-MVF

60M IR 4MP DDA ANALYTICS MOTORIZED LENS BULLET CAMERA

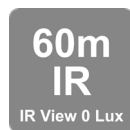
Equipped with a 2.8-12mm motorized lens, this 4MP bullet camera is designed for long-distance surveillance (up to 60m) in indoor and outdoor scenarios. The camera offers broad possibilities for Analytics, from Face Detection to the outstanding DDA Analytics (Detect, Distinguish, Alert), which can perform object recognition and object counting. With various detection rules and triggers, the I6-340IPEN-MVF camera will help the user end false alarms.



DDA
VIDEO ANALYTICS



NDA
Compliance



MAIN FEATURES

- 4MP
- EYE-SIGHT V2
- 2592×1520 Resolution
- 2.8-12mm Motorized Vari-Focal (96°- 32°)
- 3D-DNR
- IP67
- DDA Analytics
- 2 Way-Audio
- Alarm In + Out

ANALYTICS

- General Analytics: Camera Tampering
- AI (Object Recognition): Humans, 2/4 wheel vehicles
DDA Sterile Area
DDA Line Crossing
DDA Object Counting
- AI (Face Detection): 10 Faces per frame
- AI: Heatmap



SPECIFICATIONS

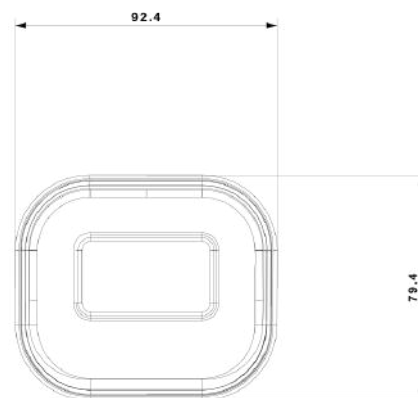
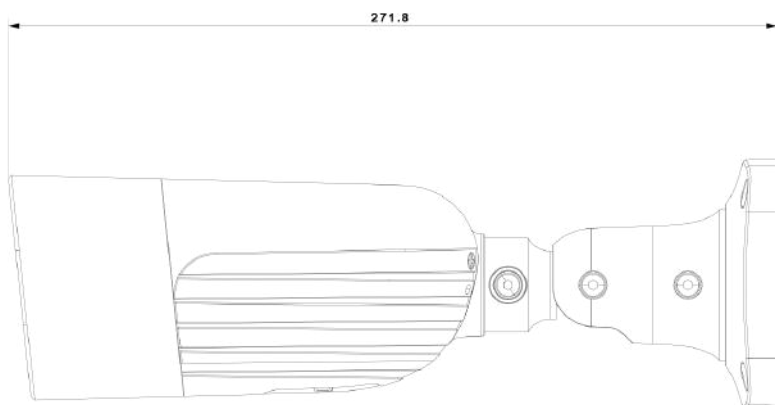
Image Sensor	1/3" CMOS (16:9)
Effective Pixels	2592X1520
Electronic Shutter	1/25s ~ 1/100000s
Frame Rate	1-25/30FPS In Normal Mode. 1-50/60FPS in HFR Mode***
Day & Night	ICR
Min. Illumination	Day: 0.1lux / Night: 0.005lux (@F1.6, AGC on) 0lux with IR on
Audio compression	G.711A/G.711U
Communication	Two-way Audio
Image Settings	AWB, AGC Adjustable, Exposure Mode (Auto) Sharpness, Saturation, Brightness & Contrast Adjustable
Image Enhancement	True WDR (120dB), BLC, HLC, ROI
Noise Reduction	3D-DNR
Image Orientation	Mirror/Flip
Privacy Zone	Yes
Motion Detection	Yes
Analytics	General Analytics: Camera Tampering AI (Object Recognition): DDA Sterile Area, DDA Line Crossing, DDA Object Counting AI (Face Detection): 10 Faces per frame AI: Heatmap
Video Compression	H.265S/H.264S*, H.265+/H.264+/H.265/H.264/MJPEG
Resolution	4MP / 2K / 3MP / 2MP / 1MP / D1 / QVGA / CIF
Multi-Stream	Master Stream: 4MP(2592x1520) / 2K (2560x1440) / 3MP / 2MP / 1MP Substream: 1MP/QVGA/D1/CIF Third Stream: QVGA/D1/CIF (1~30fps)
Bit rate	64Kbps ~ 7Mbps@H.265 / 64Kbps ~ 8Mbps@H.264
Encode Mode	VBR/CBR
Image Quality	Five levels under VBR; Free adjustment under CBR
IR Distance	60m (4 High Power IR LED)
Lens (Field of View)	2.8-12mm MVF with Auto Focus (94.3°- 29.9°)

*Main Stream Only, ***1080p,no true-WDR

SPECIFICATIONS

Iris	DC Iris
Lens Mount	Ø14 Mount
Protection Rate	Water Proof: IP67
Bracket	3-Axis Bracket
Dimensions	271.8x92.4x79.4mm
Weight (gross)	~1040g
Network	RJ45 (+PoE)
Power	DC Socket
Analog Video Output	CVBS Out + Technician Port
Audio Connectivity	Audio Input + Audio Output
SD Card	Event/Schedule based Main/Substream recording (Up to 256Gb)
Hard Reset Button	Yes
Alarm	Alarm in + Alarm out
Remote Monitoring	IE Browsing, VMS Software, Provision Cam2 Mobile App
User Access	Supports simultaneous monitoring of up to 10 users with multi-stream real-time transmission
Network Protocol	IPv4, IPv6, TCP, UDP, DHCP, NTP, DDNS, 802.1X, RTSP, Multicast, UPnP, Email, FTP, HTTPS, QoS, P2P
ONVIF	Yes
Ethernet	100Mbps
PoE	Yes
Power Supply	DC12V/~910mA / PoE/~8.2W
Work Environment	-30°C~60°C, 10%~90% Humidity
Junction Box	PR-JB14IP66 - PR-JB14IP64

DIMENSIONS



ACCESSORIES



PR-JB14IP66



PR-JB14IP64