

## DS-2280ZJ-WA140

Junction box



### Key Feature

- Junction box

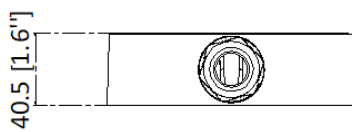
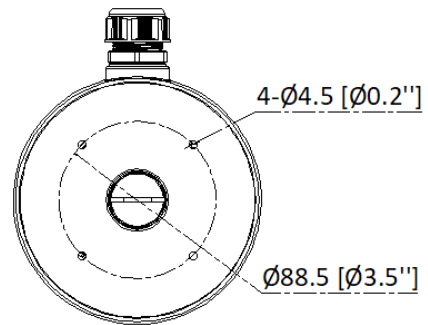
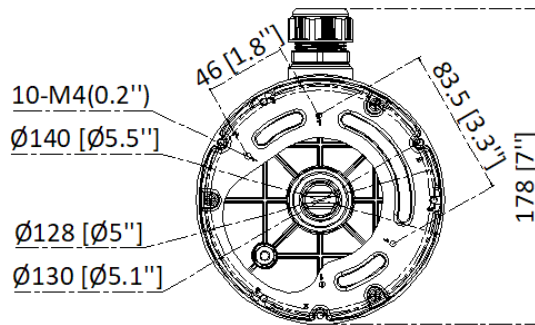
### Specification

|           |   |
|-----------|---|
| Model     | DS-2280ZJ-WA140                             |
| Color     | White                                       |
| Weight    | Approx.359.4 g (0.79 lb.)                   |
| Material  | Aluminum + stainless steel + silicone + EVA |
| Dimension | Ø140 mm × 40.5mm ( Ø5.5" × 1.6 ")           |

### Available Model

DS-2280ZJ-WA140

Dimension



Unit: mm(inch)

| Camera Mounting Hole (mm) | Camera Mounting Hole (inch) |
|---------------------------|-----------------------------|
| Double Gang(4*M4)         | Double Gang(4*M0.2'')       |
| φ130(3*M4)                | φ5.1''(3*M0.2'')            |
| φ128(3*M4)                | φ5''(3*M0.2'')              |
| Wall Mounting Hole (mm)   | Wall Mounting Hole (inch)   |
| φ88.5(4*φ4.5)             | φ3.5''(4*φ0.2'')            |