



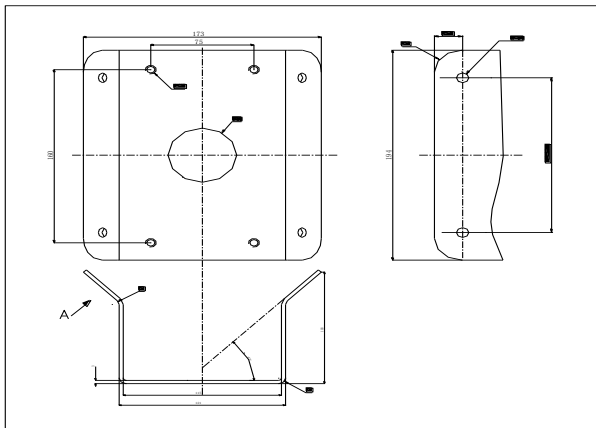
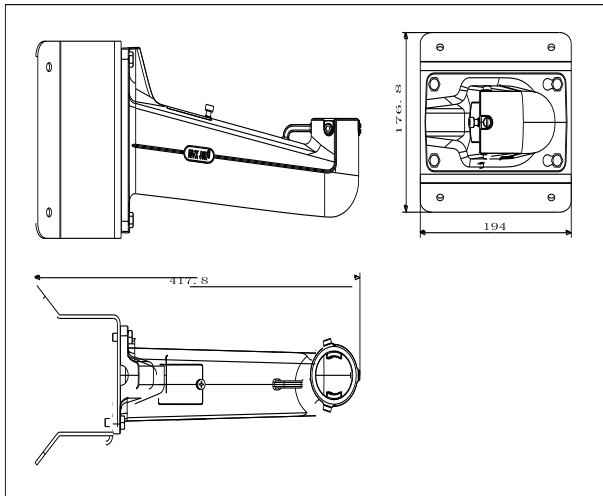
DS-1602ZJ-Corner

Long Arm Wall Corner Mount Bracket

Features:

- Aluminum alloy & steel material with surface spray treatment
- Exquisite and small design
- Design of safety rope for more convenient installation

Dimension:



Note: The actual bracket may vary from the picture above.

Order model:

DS-1602ZJ-corner

Parameters:

| | |
|-----------|--|
| Model | DS-1602ZJ-corner |
| Parameter | Wall Mount Bracket |
| Color | Hikvision white |
| Feature | Suitable for speed dome wall corner mounting |
| Material | Aluminum alloy & Steel |
| Dimension | 176.8×194×417.8mm |
| Weight | 2809g |

Notice:

- The bracket should be installed on the flat surface of a wall
- The wall must be capable of supporting more than 3 times the total capacity of the camera and the bracket
- Load capacity of bracket is 10KG