

# 4MP HD ColorHunter Fixed Bullet Network Camera

IPC2314LE-ADF28(40)KM-WL



## Key Features



- High quality image with 4MP, 1/1.8"CMOS sensor and F1.0 large aperture lens
- 4MP (2688\*1520)@ 25/20fps; 4MP (2560\*1440)@ 25/20fps; 3MP (2304\*1296) @30/25fps; 2MP (1920\*1080) @30/25fps;
- Ultra 265, H.265, H.264, MJPEG
- Colorhunter technology ensures 24-hour full-color images
- 120dB true WDR technology enables clear image in strong light scene
- Support 9:16 Corridor Mode
- Built-in Mic
- White Light, up to 30m white light distance
- Supports 128 GB Micro SD card
- IP67 protection
- Support PoE power supply
- 3-Axis

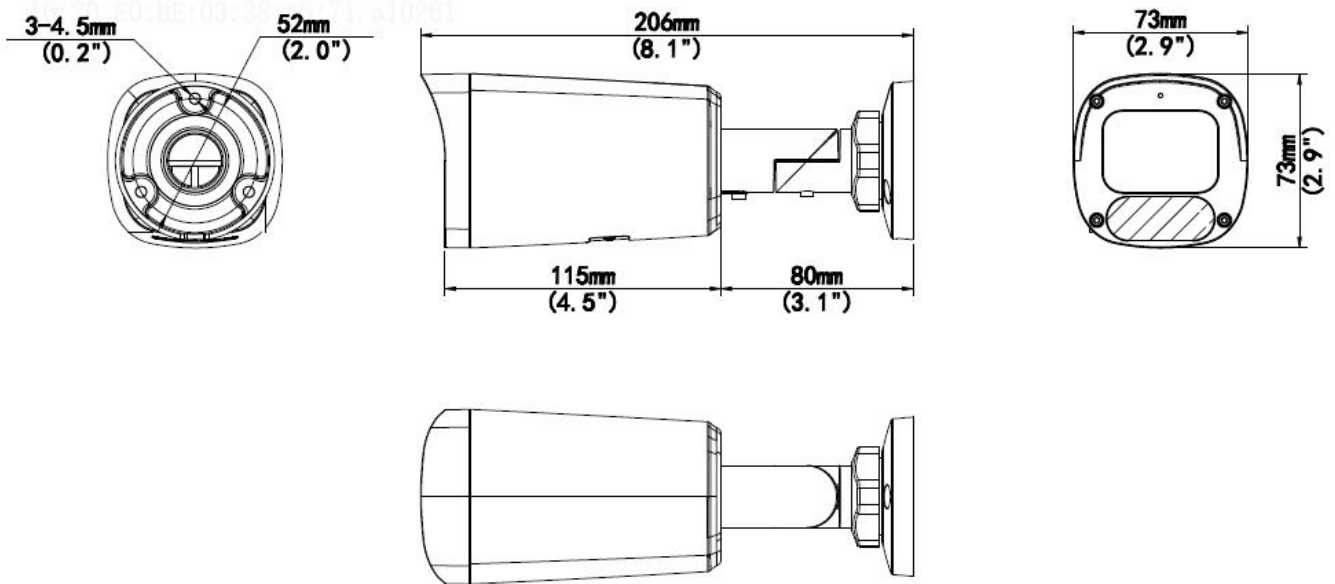
## Specifications

	IPC2314LE-ADF28KM-WL	IPC2314LE-ADF40KM-WL			
<b>Camera</b>					
Sensor	1/1.8", 4.0 megapixel, progressive scan, CMOS				
Minimum Illumination	Colour: 0.0005lux (F1.0, AGC ON)				
Shutter	Auto/Manual, 1 ~ 1/100000s				
Adjustment angle	Pan: 0° ~ 360°	Tilt: 0° ~ 90° Rotate: 0° ~ 360°			
WDR	120dB				
S/N	>52dB				
<b>Lens</b>					
Lens	2.8mm@F1.0	4.0mm@F1.0			
Iris	Fixed				
Field of View (H)	110.4°	89.4°			
Field of View (V)	60.5°	48.2°			
Field of View (D)	115.2°	94.7°			
<b>DORI</b>					
DORI Distance	Lens (mm)	Detect (m)	Observe (m)	Recognize (m)	Identify (m)
	2.8	43.4(142.5ft)	17.4(57.0ft)	8.7(28.5ft)	4.3(14.3ft)
	4.0	62.1(203.6ft)	24.8(81.5ft)	12.4(40.7ft)	6.2(20.4ft)
<b>Illuminator</b>					
LED Distance	Up to 30m (98ft)				
LEDs Number	2				
LED On/Off Control	Auto/Manual				
<b>Video</b>					
Video Compression	Ultra265, H.265, H.264, MJPEG				
H.264 code profile	Baseline profile, Main profile, High profile				
Frame Rate	Main Stream: 4MP (2688*1520), Max 25fps; 4MP (2560*1440), Max 25fps; 3MP (2304*1296), Max 30fps; 1080P (1920*1080), Max 30fps; Sub Stream: 720P (1280*720), Max 30fps; D1 (720*576), Max 30fps; 640*360, Max 30fps;				
Video Bit Rate	128 Kbps~6144Kbps				
U-code	Support				
OSD	Up to 4 OSDs				
Privacy Mask	Up to 4 areas				
ROI	Up to 8 areas				
Video Stream	Dual streams				
<b>Image</b>					
White Balance	Auto/Outdoor/Fine Tune/Sodium Lamp/Locked/Auto2				
Digital noise reduction	2D/3D DNR				
Smart Illumination	Support				
Flip	Normal/Vertical/Horizontal/180°/90°Clockwise/90°Anti-clockwise				
Dewarping	N/A				
HLC	Support				
BLC	Support				

Defog	Digital Defog
<b>Events</b>	
Basic Detection	Cross line, intrusion(based on human body detection),Motion detection, Tampering alarm, Audio Detection
General Function	Watermark, IP Address Filtering, Access Policy, ARP Protection, RTSP Authentication, User Authentication, HTTP authentication
<b>Audio</b>	
Audio Compression	G.711U, G.711A
Audio Bitrate	64 Kbps
Two-way audio	N/A
Suppression	Support
Sampling Rate	8KHZ
<b>Storage</b>	
Edge Storage	Micro SD, up to 128GB
Network Storage	ANR, NAS(NFS)
<b>Network</b>	
Protocols	IPv4, IPv6 ,IGMP, ICMP, ARP, TCP, UDP, DHCP, RTP, RTSP, RTCP, DNS, DDNS, NTP, FTP, UPnP, HTTP, HTTPS, SMTP, SNMP, QoS, RTMP,SSL/TLS
Compatible Integration	ONVIF (Profile S, Profile G, Profile T), API,SDK
User/Host	Up to 32 users. 2 user levels: administrator and common user
Security	Password protection, Strong password, HTTPS encryption, Export operation logs, Basic and digest authentication for RTSP, Digest authentication for HTTP, TLS 1.2, WSSE and digest authentication for ONVIF
Client	EZStation EZView EZLive
Web Browser	Plug-in required live view: IE 10 and above, Chrome 45 and above, Firefox 52 and above, Edge 79 and above
	Plug-in free live view: Chrome 57.0 and above, Firefox 58.0 and above, Edge 16 and above
<b>Interface</b>	
Audio I/O	N/A
Alarm I/O	N/A
Serial Port	N/A
Built-in Mic	Support
Built-in Speaker	N/A
WIFI	N/A
Network	1 * RJ45 10M/100M Base-TX Ethernet
Video Output	N/A
<b>Certifications</b>	
EMC	CE-EMC (EN 55032,EN 61000-3-3,EN IEC 61000-3-2,EN 55035) FCC (FCC 47 CFR part15 B)
Safety	CE LVD (EN 62368-1) CB (IEC 62368-1) UL/CUL (UL 62368-1, CAN/CSA C22.2 No. 62368-1)
Environment	CE-RoHS (2011/65/EU;(EU)2015/863); WEEE (2012/19/EU)
Protection	IP67 (IEC 60529)
<b>General</b>	
Power	DC 12V±25%, PoE (IEEE 802.3af)
	Power consumption: Max 5.9W

Power Interface	Ø 5.5mm coaxial power plug
Dimensions (L × W × H)	206 × 73 × 73mm (8.1" × 2.9" × 2.9")
Weight	0.47kg(1.04lb)
Material	Graphene + Metal
Working Environment	-30°C ~ 60°C (-22°F ~ 140°F), Humidity: ≤95% RH (non-condensing)
Storage Environment	-30°C ~ 60°C (-22°F ~ 140°F), Humidity: ≤95% RH (non-condensing)
surge protection	4KV
Reset Button	Support

## Dimensions



## Accessories

TR-JB05-B-IN

Junction Box



TR-UP06-C-IN

Pole Mount



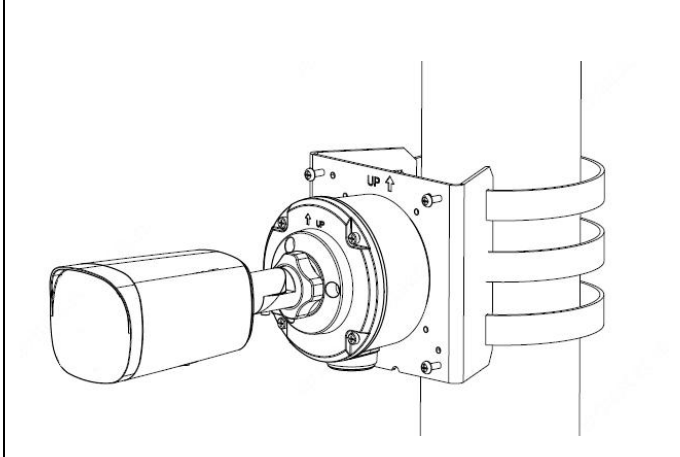
TR-A01-IN

Waterproof Joint



Pole Mount

TR-JB05-B-IN+ TR-UP06-C-IN



**Zhejiang Uniview Technologies Co., Ltd.**

Building No.10, Wanlun Science Park, Jiangling Road 88, Binjiang District, Hangzhou, Zhejiang, China (310051)

Email: [overseasbusiness@uniview.com](mailto:overseasbusiness@uniview.com); [globalsupport@uniview.com](mailto:globalsupport@uniview.com)

<http://www.uniview.com>

©2023 Zhejiang Uniview Technologies Co., Ltd. All rights reserved.

\*Product specifications and availability are subject to change without notice.