

## Diagram References

### 1 Appearance

- ① IR Light   ② Microphone   ③ IR Light   ④ Camera   ⑤ Touch Screen
- ⑥ Button   ⑦ TF Card Slot (Reserved)   ⑧ Debugging Port   ⑨ Wiring Terminal
- ⑩ Tamper   ⑪ Network Interface   ⑫ Loudspeaker

Note: The debugging port is used for debugging only.

### 2 Terminal and Wiring

- NC: Door Lock Relay Output (NC)      485-: RS-485 Interface
- NO: Door Lock Relay Output (NO)      485+: RS-485 Interface
- COM: Common Interface                12 VDC: Power Supply Input
- AIN1&AIN2: For the access of Door Contact      GND: Grounding
- AIN3&AIN4: For the access of Exit Button

### 3 Installation Accessory

- ① Mounting Template      ② Mounting Plate

Note: The dimension of the mounting plate is 160.3 mm × 67.4 mm × 2 mm.

### 4 Installation

Note: Video intercom villa door station supports flush mounting and surface mounting.

#### Before You Start

- Mounting template is required for surface mounting.
- Make sure the device in the package is in good condition and all the assembly parts are included.
- The power supply of the indoor station is 12 VDC. Make sure your power supply matches your villa door station.
- Make sure all related equipments are power-off during the installation.
- Check the product specification for the installation environment.

#### ★ Surface Mounting with Gang Box

#### ★ Surface Mounting without Gang Box

### 5 Configuration

#### 1 Quick Operation

After activating the device, the quick configuration page will pop up automatically.

1. Select language and tap **Next**.
2. Set password reset method and tap **Next**.

Enter the Reserved Email address, then you can reset the admin password by email. Tap Change to Security Question. Select 3 security questions from the list and enter the answers, then you can reset the password by answering security questions.

3. Set network parameters and tap **Next**.

Set the **IP address**, **Subnet Mask** and **Gateway** manually.

Enable **DHCP**, the device will get network parameters automatically.

4. Enable the cloud service functions and create a verification code. Tap **Next**.

5. Tap **Next** to finish wizard.

#### 2 Add User

You can add user after activating the device.

Steps:

1. On the menu, tap **User** to enter the settings page.
2. Tap **+** to enter the add user page.
3. Set Employee No., Name, Room No. and Floor No..
4. Add Face.
5. Add Card.
6. Set User Role as Normal User or Administrator.

#### 3 Unlock Door

##### Unlock by Face

Face forward at the camera to unlock.

Note: Make sure that you have added your face picture to the device.

##### Unlock by Presenting Card

Present the card on the card reading area to unlock.

Note: Make sure you have issued the card to the device.

### 6 Installation Positions

Recommended Installation Height (The distance between the camera and the ground): 1.4 m to 1.6 m

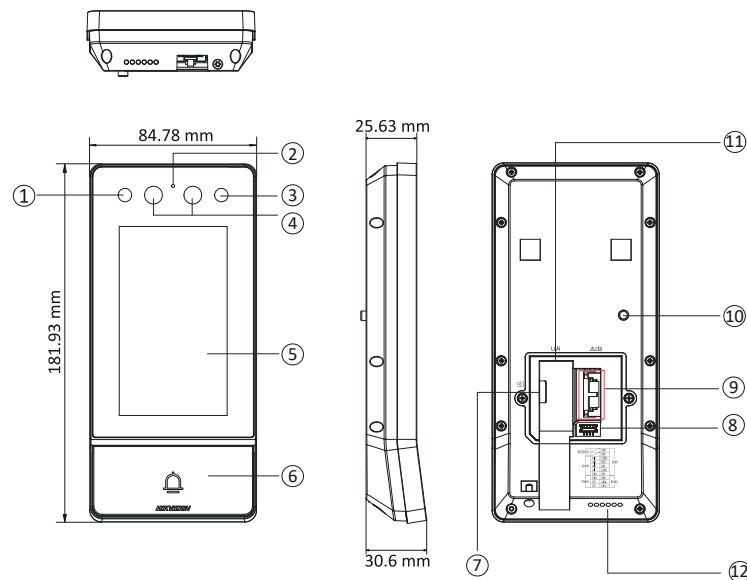
The FOV of the camera is : Horizontal: 88°, Vertical: 44°.

The highest visual height and lowest visual height of the camera is shown as picture.

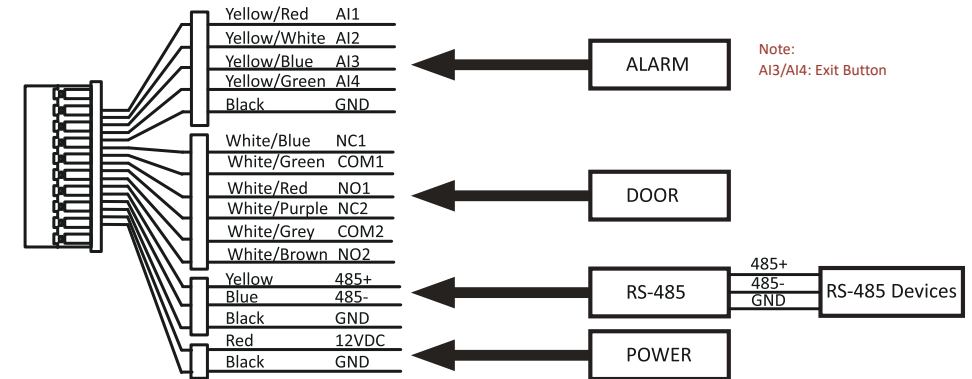
Refers to Video Intercom Villa Door Station User Manual (scan the QR code) for details.



1

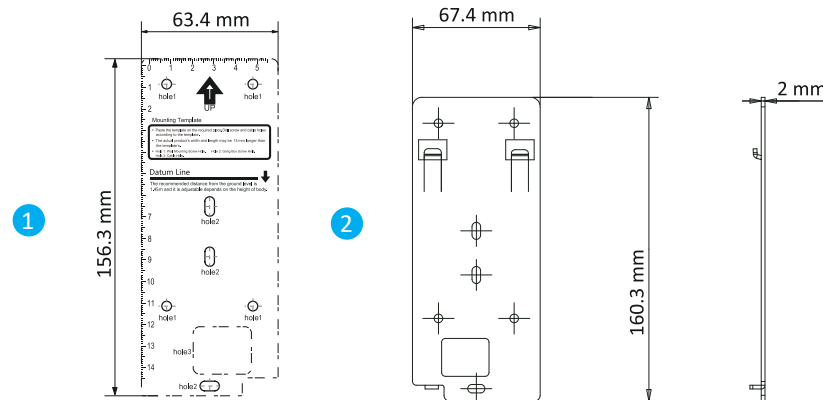


2



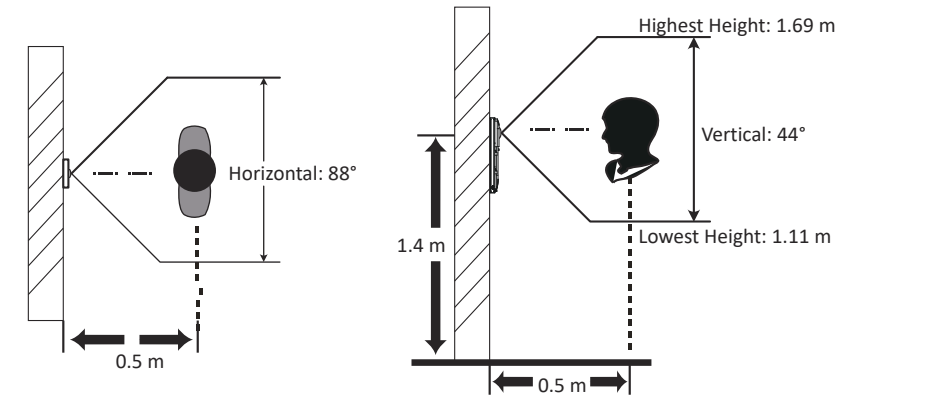
Refer to User Manual for more details about terminal and wiring.

3



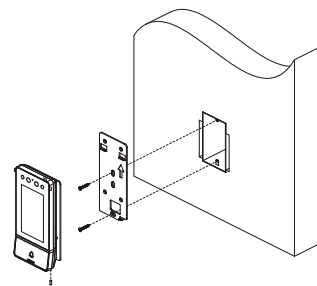
6

Recommended Installation Height (The distance between the camera and the ground): 1.4 m to 1.6 m



4

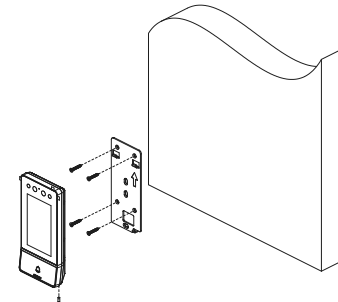
#### ★ Surface Mounting with Gang Box



Gang box is not supplied.

- 1 Make sure the gang box is installed on the wall.
- 2 Secure the mounting plate on the gang box with the four supplied screws (SC-KA4X25). Remove the back cover and route the cable through the cable hole, wire the cables and insert the cables in the gang box.
- 3 Align the device with the mounting plate, and secure the device on the mounting plate with 1 supplied screw (SC-M3X8NL-SUS316L-GB78).

#### ★ Surface Mounting without Gang Box



- 1 According to the datum line on the mounting template, stick the mounting template on the wall or other surface, 1.45 meters higher than the ground.
- 2 Drill holes on the wall or other surface according to the instructions on the mounting template.
- 3 Secure the mounting plate on the gang box with the four supplied screws (SC-KA4X25). Remove the back cover and route the cable through the cable hole, wire the cables and insert the cables in the gang box.
- 4 Align the device with the mounting plate, and secure the device on the mounting plate with 1 supplied screw (SC-M3X8NL-SUS316L-GB78).

