



Video Intercom Module Door Station

User Manual

User Manual

©2019 Hangzhou Hikvision Digital Technology Co., Ltd.

This user manual is intended for users of module door station.

The door station supports custom combination. You can choose from the modules listed below according to needs.

Name	Model
Main Unit	DS-KD8003-IME1
Nametag Module	DS-KD-KK
Keypad Module	DS-KD-KP
Card Reader Module	DS-KD-M(13.56 MHz)
	DS-KD-E(125 KHz)
Indicator Module	DS-KD-IN
Blank Module	DS-KD-BK

It includes instructions on how to use the Product. The software embodied in the Product is governed by the user license agreement covering that Product.

About this Manual

This Manual is subject to domestic and international copyright protection. Hangzhou Hikvision Digital Technology Co., Ltd. (“Hikvision”) reserves all rights to this manual. This manual cannot be reproduced, changed, translated, or distributed, partially or wholly, by any means, without the prior written permission of Hikvision.

Trademarks

HIKVISION and other Hikvision marks are the property of Hikvision and are registered trademarks or the subject of applications for the same by Hikvision and/or its affiliates. Other trademarks mentioned in this manual are the properties of their respective owners. No right of license is given to use such trademarks without express permission.

Disclaimer

TO THE MAXIMUM EXTENT PERMITTED BY APPLICABLE LAW, HIKVISION MAKES NO WARRANTIES, EXPRESS OR IMPLIED, INCLUDING WITHOUT LIMITATION THE IMPLIED WARRANTIES OF MERCHANTABILITY AND FITNESS FOR A PARTICULAR PURPOSE, REGARDING THIS MANUAL. HIKVISION DOES NOT WARRANT, GUARANTEE, OR MAKE ANY REPRESENTATIONS REGARDING THE USE OF THE MANUAL, OR THE CORRECTNESS, ACCURACY, OR RELIABILITY OF INFORMATION CONTAINED HEREIN. YOUR USE OF THIS MANUAL AND ANY RELIANCE ON THIS MANUAL SHALL BE WHOLLY AT YOUR OWN RISK AND RESPONSIBILITY.

TO THE MAXIMUM EXTENT PERMITTED BY APPLICABLE LAW, IN NO EVENT WILL HIKVISION, ITS DIRECTORS, OFFICERS, EMPLOYEES, OR AGENTS BE LIABLE TO YOU FOR ANY SPECIAL, CONSEQUENTIAL, INCIDENTAL, OR INDIRECT DAMAGES, INCLUDING, AMONG OTHERS, DAMAGES FOR LOSS OF BUSINESS PROFITS, BUSINESS INTERRUPTION, SECURITY BREACHES, OR LOSS OF DATA OR DOCUMENTATION, IN CONNECTION WITH THE USE OF OR RELIANCE ON THIS MANUAL, EVEN IF HIKVISION HAS BEEN ADVISED OF THE POSSIBILITY OF SUCH DAMAGES.

SOME JURISDICTIONS DO NOT ALLOW THE EXCLUSION OR LIMITATION OF LIABILITY OR CERTAIN DAMAGES, SO SOME OR ALL OF THE ABOVE EXCLUSIONS OR LIMITATIONS MAY NOT APPLY TO YOU.

Support

Should you have any questions, please do not hesitate to contact your local dealer.

Regulatory Information

FCC Information

Please take attention that changes or modification not expressly approved by the party responsible for compliance could void the user's authority to operate the equipment.

FCC compliance: This equipment has been tested and found to comply with the limits for a Class B digital device, pursuant to part 15 of the FCC Rules. These limits are designed to provide reasonable protection against harmful interference in a residential installation. This equipment generates, uses and can radiate radio frequency energy and, if not installed and used in accordance with the instructions, may cause harmful interference to radio communications. However, there is no guarantee that interference will not occur in a particular installation. If this equipment does cause harmful interference to radio or television reception, which can be determined by turning the equipment off and on, the user is encouraged to try to correct the interference by one or more of the following measures:

- Reorient or relocate the receiving antenna.
- Increase the separation between the equipment and receiver.
- Connect the equipment into an outlet on a circuit different from that to which the receiver is connected.
- Consult the dealer or an experienced radio/TV technician for help.

FCC Conditions

This device complies with part 15 of the FCC Rules. Operation is subject to the following two conditions:

1. This device may not cause harmful interference.
2. This device must accept any interference received, including interference that may cause undesired operation.

EU Conformity Statement



This product and - if applicable - the supplied accessories too are marked with "CE" and comply therefore with the applicable harmonized European standards listed under the EMC Directive 2014/30/EU, LVD Directive 2014/35/EU, the RoHS Directive 2011/65/EU.



2012/19/EU (WEEE directive): Products marked with this symbol cannot be disposed of as unsorted municipal waste in the European Union. For proper recycling, return this product to your local supplier upon the purchase of equivalent new equipment, or dispose of it at designated collection points. For more information see:

www.recyclethis.info



2006/66/EC (battery directive): This product contains a battery that cannot be disposed of as unsorted municipal waste in the European Union. See the product documentation for specific battery information. The battery is marked with this symbol, which may include lettering to indicate cadmium (Cd), lead (Pb), or mercury (Hg). For proper recycling, return the battery to your supplier or to a designated collection point. For more information see: www.recyclethis.info



Safety Instruction

These instructions are intended to ensure that user can use the product correctly to avoid danger or property loss.

The precaution measure is divided into **Warnings** and **Cautions**:

Warnings: Neglecting any of the warnings may cause serious injury or death.

Cautions: Neglecting any of the cautions may cause injury or equipment damage.

	
Warnings Follow these safeguards to prevent serious injury or death.	Cautions Follow these precautions to prevent potential injury or material damage.



Warnings

- The working temperature of the device is from -40° C to 60° C.
- All the electronic operation should be strictly compliance with the electrical safety regulations, fire prevention regulations and other related regulations in your local region.
- Please use the power adapter, which is provided by normal company. The power consumption cannot be less than the required value.
- Do not connect several devices to one power adapter as adapter overload may cause over-heat or fire hazard.
- Please make sure that the power has been disconnected before you wire, install or dismantle the device.
- When the product is installed on wall or ceiling, the device shall be firmly fixed.
- If smoke, odors or noise rise from the device, turn off the power at once and unplug the power cable, and then please contact the service center.
- If the product does not work properly, please contact your dealer or the nearest service center. Never attempt to disassemble the device yourself. (We shall not assume any responsibility for problems caused by unauthorized repair or maintenance.)
- The power supply must conform to LPS. The recommended adaptor models and manufacturers are shown as below. Use the attached adaptor, and do not change the adaptor randomly.

Model	Manufacturer	Standard
ADS-24S-12 1224GPCN	Shenzhen Honor Electronic Co., Ltd.	GB
KPL-060F-VI	Channel Well Technology Co., Ltd.	GB



Cautions

- Do not drop the device or subject it to physical shock, and do not expose it to high electromagnetism radiation. Avoid the equipment installation on vibrations surface or places subject to shock (ignorance can cause equipment damage).
- Do not place the device in extremely hot (refer to the specification of the device for the detailed operating temperature), cold, dusty or damp locations, and do not expose it to high electromagnetic radiation.
- Do not aim the device at the sun or extra bright places. A blooming or smear may occur otherwise (which is not a malfunction however), and affecting the endurance of sensor at the same time.
- Please use a soft and dry cloth when clean inside and outside surfaces of the device cover, do not use alkaline detergents.
- Please keep all wrappers after unpack them for future use. In case of any failure occurred, you need to return the device to the factory with the original wrapper. Transportation without the original wrapper may result in damage on the device and lead to additional costs.
- Improper use or replacement of the battery may result in hazard of explosion. Replace with the same or equivalent type only. Dispose of used batteries according to the instructions provided by the battery manufacturer.
- The warranty does not apply to the product defects and failures arisen as a result of improper mounting (in contradiction herewith).
- When the proper mounting instructions are not met, water might get in and destroy the electronics.

Table of Contents

1 Overview	1
1.1 Introduction.....	1
1.2 Main Features.....	1
1.3 Typical Application.....	2
2 Appearance	3
2.1 Main Unit.....	3
2.2 Nametag Module.....	4
2.3 Keypad Module.....	5
2.4 Indicator Module.....	5
2.5 Card Reader Module.....	6
2.6 Blank Module.....	7
3 Terminal and Wiring	8
3.1 Terminal Description.....	8
3.1.1 Main Unit.....	8
3.1.2 Sub Module.....	9
3.2 Wiring Description.....	10
3.2.1 Door Lock Wiring.....	10
3.2.2 Door Magnetic Wiring.....	11
3.2.3 Exit Button Wiring.....	11
4 Installation	13
4.1 Configure Sub Module Address.....	13
4.2 One-Module Installation.....	14
4.2.1 One-Module Surface Mounting.....	14
4.2.2 One-Module Flush Mounting.....	18
4.3 Two-Module Installation.....	22
4.3.1 Two-Module Surface Mounting.....	22
4.3.2 Two-Module Flush Mounting.....	27
4.4 Three-Module Installation.....	32
4.4.1 Three-Module Surface Mounting.....	32
4.4.2 Three-Module Flush Mounting.....	37
4.5 More-than-Three Module Installation.....	44
4.5.1 More-than-Three Module Surface Mounting.....	44
4.5.2 More-than-Three Module Flush Mounting.....	50
5 Device Configuration	59
5.1 Activate Device.....	59
5.2 Edit Network Parameters.....	60
5.3 Add Device.....	61
5.4 Reset Password.....	63
5.5 Configure System Parameters.....	65

5.5.1 Device Information.....	65
5.5.2 General.....	65
5.5.3 Time	65
5.5.4 System Maintenance.....	66
5.5.5 User	68
5.6 Configure Video Intercom Parameters	69
5.6.1 Device ID Configuration	69
5.6.2 Time Parameters	70
5.6.3 Permission Password.....	70
5.6.4 Access Control and Elevator	71
5.6.5 IO Input and Output	73
5.6.6 Volume Input and Output	74
5.6.7 Dial	74
5.6.8 Motion Detection	75
5.6.9 Intercom Protocol	75
5.6.10 Sub Module	76
5.7 Configure Video Intercom Network.....	77
5.7.1 Local Network Configuration.....	78
5.7.2 Linked Devices Network Configuration	78
5.7.3 FTP	79
5.7.4 Advanced Settings	80
5.8 Person and Card Management	80
5.8.1 Organization Management.....	82
5.8.2 Person Management	82
5.9 Video Display.....	90
5.9.1 Video Parameters.....	90
5.9.2 Video & Audio.....	91
5.10 BLC Mode	91
6 Video Intercom Operation.....	93
6.1 Video Intercom Operation via Device.....	93
6.1.1 Call Resident.....	93
6.1.2 Issue Card	93
6.1.3 Unlock Door	93
6.2 Video Intercom Operation via iVMS-4200	94
6.2.1 Receive Call from Door Station.....	94
6.2.2 View Live Video of Door Station	96
6.2.3 View Call Logs	96
6.2.4 Search Video Intercom Information.....	97

1 Overview

1.1 Introduction

The video intercom module door station can realize functions such as video intercom, resident-to-resident video call to provide a complete smart community video intercom solution.

The video intercom module door station is mainly applied to situations such as community, villa, and official buildings.

1.2 Main Features

- 2MP HD video intercom function
- Access control function
- Fisheye camera with IR supplement light
- Tampering alarm and door magnetic alarm supported
- Supports sub-modules' access (max.8)
- Noise suppression and echo cancellation
- Easy to extend

1.3 Typical Application

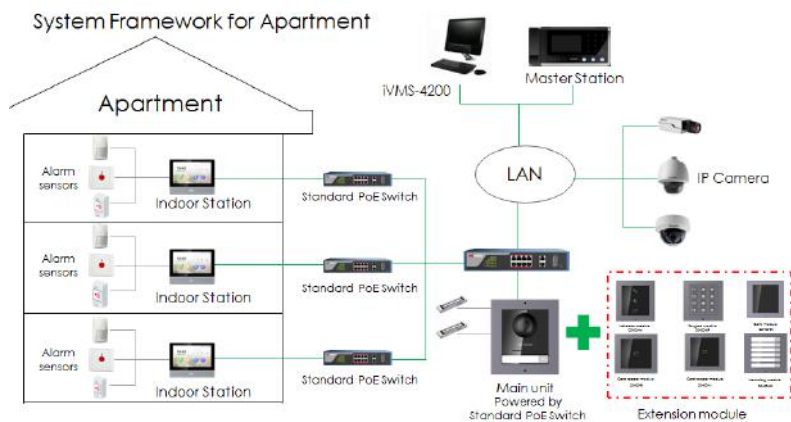


Figure 1-1 Typical Application

2 Appearance

2.1 Main Unit

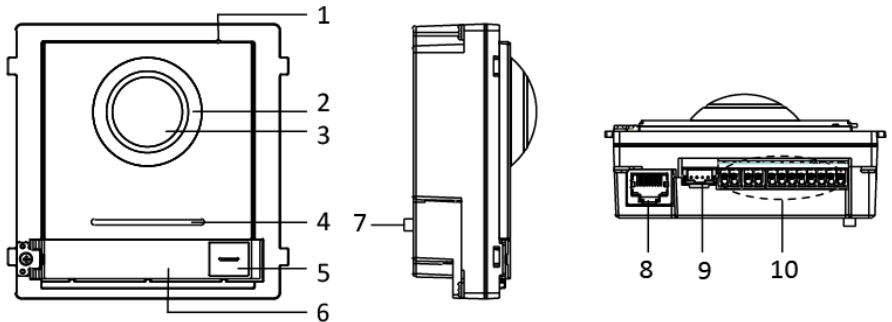


Figure 2-1 Main Unit Appearance

Table 2-1 Appearance Description

No.	Description
1	Microphone
2	Low Illumination IR Supplement Light
3	Built-in Camera
4	Loudspeaker
5	Call Button
6	Nametag
7	TAMPER
8	Network Interface
9	Module-connecting Interface(output)
10	Terminals

NOTE

Nametag area supports insert customized name card.

The suggested card size is: 58 (L) x 11.7(W) mm.

2.2 Nametag Module

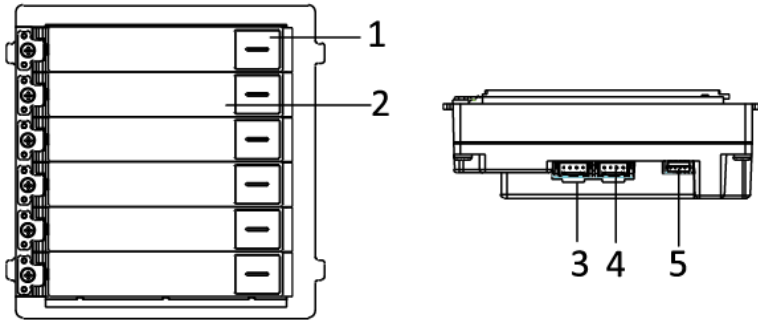


Figure 2-2 Nametag Module Appearance

Table 2-2 Appearance Description

No.	Description
1	Call Button
2	Nametag
3	Module-connecting Interface(output)
4	Module-connecting Interface(input)
5	Debug Port

 **NOTE**

Nametag area supports insert customized name card.

The suggested card size is: 58 (L) x 11.7(W) mm.

2.3 Keypad Module

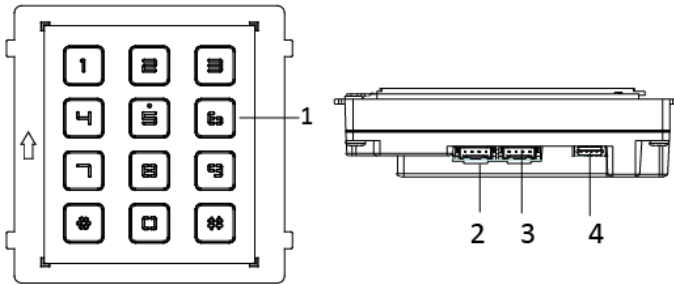


Figure 2-3 Keypad Module Appearance

Table 2-3 Appearance Description

No.	Description
1	Button
2	Module-connecting Interface(output)
3	Module-connecting Interface(input)
4	Debug Port

2.4 Indicator Module

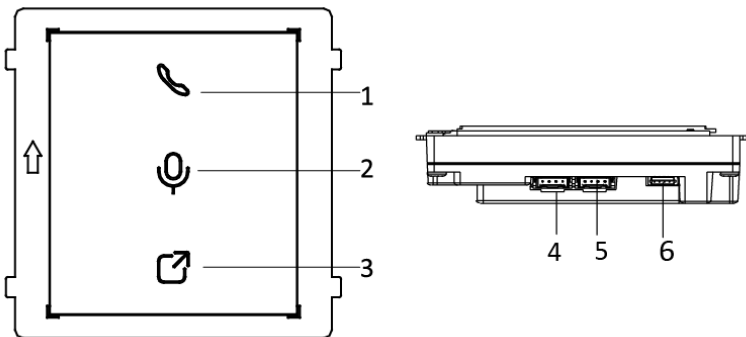


Figure 2-4 Keypad Module Appearance

Table 2-4 Appearance Description

No.	Description
1	Calling Indicator
2	Two-way Audio Indicator
3	Unlock Indicator
4	Module-connecting Interface(output)
5	Module-connecting Interface(input)
6	Debug Port

The indicator's status description is listed as below:

Table 2-5 Indicator Status Description

Indicator	Status	Description
Calling Indicator	Solid Yellow	Calling
	Unlit	Off-calling
Two-way Audio Indicator	Solid White	Two-way audio
	Unlit	Off-two-way audio
Unlock Indicator	Solid blue	Opening Door
	Unlit	Door is locked.

2.5 Card Reader Module

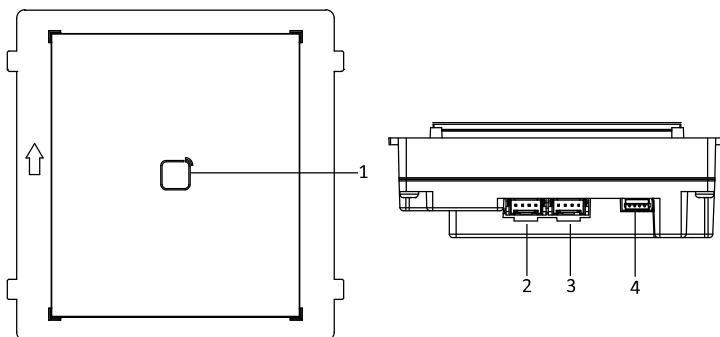


Figure 2-5 Card Reader Module Appearance

Table 2-6 Appearance Description

No.	Description
1	Card Reading Area
2	Module-connecting Interface(output)
3	Module-connecting Interface(input)
4	Debug Port

2.6 Blank Module

Blank module is designed to the fill blank grid during installation. You can replace it with other module when you needed.

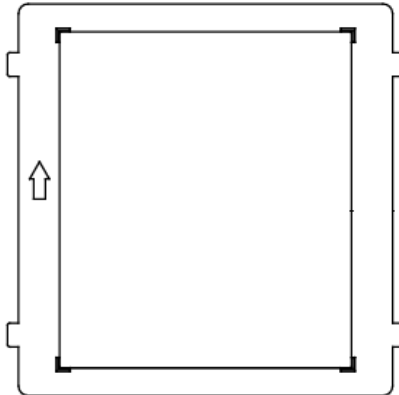


Figure 2-6 Blank Module Appearance

3 Terminal and Wiring

3.1 Terminal Description

3.1.1 Main Unit

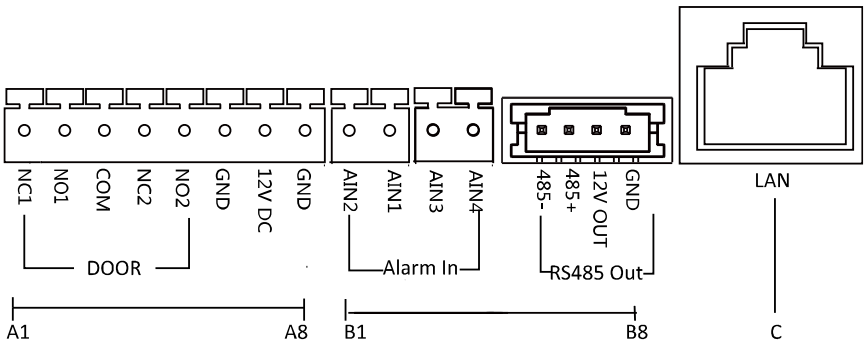


Figure 3-1 Terminals and Interfaces

Table 3-1 Descriptions of Terminals and Interfaces

No.	Interface	Description
A1	NC1	Door Lock Relay Output (NC)
A2	NO1	Door Lock Relay Output (NO)
A3	COM	Common Interface
A4	NC2	Door Lock Relay Output (NC)
A5	NO2	Door Lock Relay Output (NO)
A6	GND	Grounding
A7	12V DC	Power Supply
A8	GND	Grounding
B1	AIN2	For the access of Door Magnetic2
B2	AIN1	For the access of Door Magnetic1
B3	AIN3	For the access of Exit Button 1
B4	AIN4	For the access of Exit Button 2

No.	Interface	Description
B5	485-	Module-connecting Interface
B6	485+	
B7	12V OUT	
B8	GND	
C	LAN	PoE Network Interface(Supports IEEE 802.3af/at-Compliant Devices)

3.1.2 Sub Module

All the modules except the main work as the sub module. The sub module's interfaces and terminals as below:

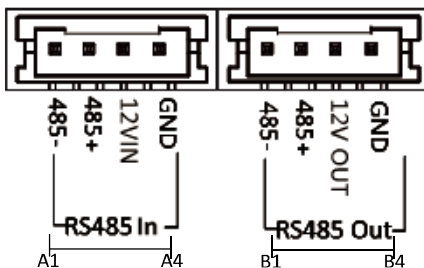


Figure 3-2 Terminals and Interfaces

Table 3-2 Descriptions of Terminals and Interfaces

No.	Interface	Description
A1	485-	Module-connecting Interface (Input)
A2	485+	
A3	12V IN	
A4	GND	
B1	485-	Module-connecting Interface (Output)
B2	485+	
B3	12V OUT	
B4	GND	

3.2 Wiring Description

3.2.1 Door Lock Wiring

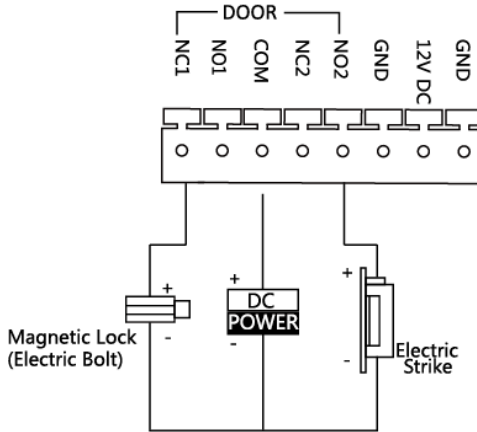


Figure 3-3 Door Lock Wiring



NOTE

- Terminal NC1/COM is set as default for accessing magnetic lock/electric bolt; terminal NO2/COM is set as default for accessing electric strike.
- Lock should be powered by itself. Max. voltage and current for relay is 30V and 1A.

3.2.2 Door Magnetic Wiring

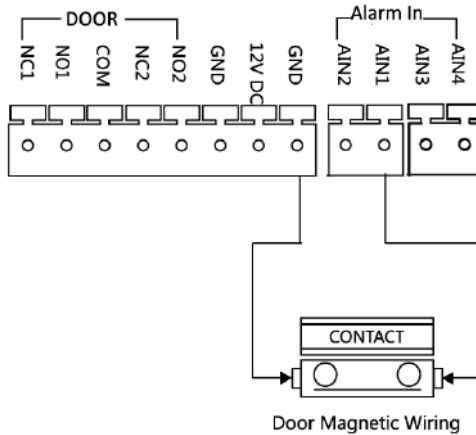


Figure 3-4 Door Magnetic Wiring

 **NOTE**

AIN1 and AIN2 are defaulted to connect door magnetic. Door magnetic connected to AIN1 detects status of the lock that connected to NC1/NO1; Door magnetic connected to AIN2 detects the status of the lock connected to NC2/NO2.

3.2.3 Exit Button Wiring

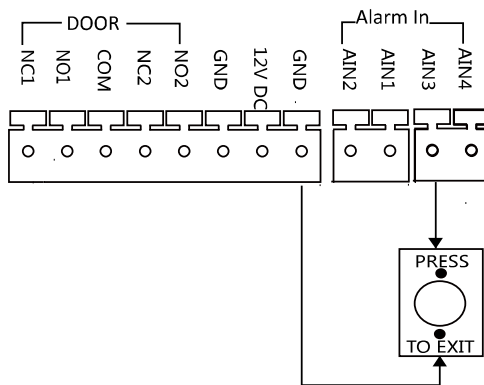


Figure 3-5 Exit Button Wiring

 **NOTE**

AIN3 and AIN4 are set as default for connecting exit button. Exit button connected to AIN3 opens the lock connected to NC1/NO1; Exit button connected to AIN4 controls the lock that connected to NC2/NO2.

4 Installation

Before you start:

- Make sure the device in the package is in good condition and all the assembly parts are included.
- Sub module must work along with the main unit.
- Set the sub module address before start the installation steps.
- Make sure the place for surface mounting is flat.
- Make sure all the related equipment is power-off during the installation.
- Tools that you need to prepare for installation:
 - Drill ($\varnothing 6$), cross screwdriver (PH1*150 mm), and gradienter.
- Buy corresponding accessory package for installation. The accessory package model and its suitable installation method as below:

Package Model	Mounting Method	Note
DS-KD-ACW1	One-Module Surface Mounting	Install the device according to the instructions.
DS-KD-ACW2	Two-Module Surface Mounting	
DS-KD-ACW3	Three-Module Surface Mounting	
DS-KD-ACF1	One-Module Flush Mounting	Not all the lines in the accessory package will be used.
DS-KD-ACF2	Two-Module Flush Mounting	
DS-KD-ACF3	Three-Module Flush Mounting	

4.1 Configure Sub Module Address

You need to set the sub module address via DIP before installation.

Steps:

1. Remove the rubber cover on the sub module rear panel to expose the DIP switch.

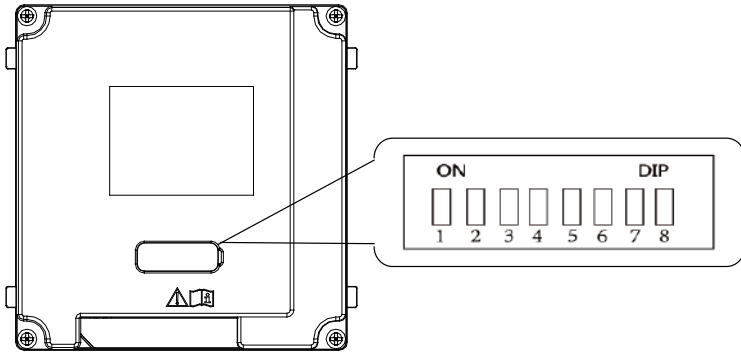


Figure 4-1 DIP Switch

- Set the sub module address according to the DIP rules, and install the rubber cover back.

 **NOTE**

- DIP 1, 2, 3, 4 are used to coding the sub module address; DIP 5, 6, 7, 8 are reserved.
- Valid sub module address range is 1 to 8. The No. should be unique for sub modules that connected to the same main unit.

The sub module address and corresponding switch status as below.

Sub Module Address	DIP 1	DIP 2	DIP 3	DIP 4	DIP 5	DIP 6	DIP 7	DIP 8
Module 1	ON	OFF	OFF	OFF	OFF	OFF	OFF	OFF
Module 2	OFF	ON	OFF	OFF	OFF	OFF	OFF	OFF
Module 3	ON	ON	OFF	OFF	OFF	OFF	OFF	OFF
Module 4	OFF	OFF	ON	OFF	OFF	OFF	OFF	OFF
Module 5	ON	OFF	ON	OFF	OFF	OFF	OFF	OFF
Module 6	OFF	ON	ON	OFF	OFF	OFF	OFF	OFF
Module 7	ON	ON	ON	OFF	OFF	OFF	OFF	OFF
Module 8	OFF	OFF	OFF	ON	OFF	OFF	OFF	OFF

4.2 One-Module Installation

4.2.1 One-Module Surface Mounting

Mounting Frame

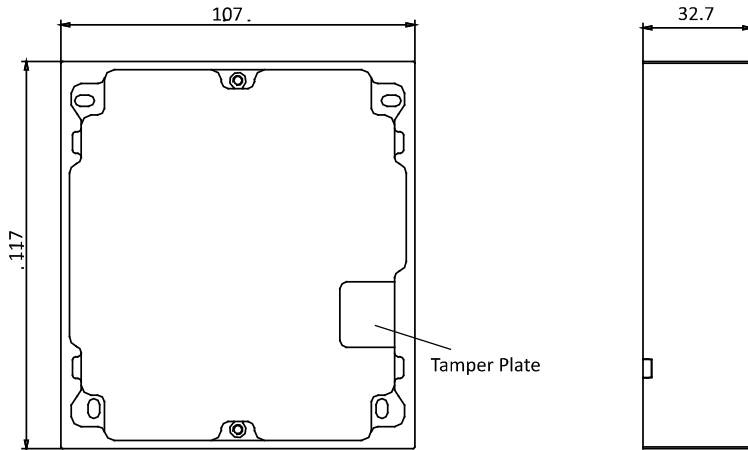


Figure 4-1 Front and Side View

NOTE

- The dimension of one module mounting frame is: 117(L) × 107(W) × 32.7(D) mm.
- The dimensions above are for reference only. The actual size can be slightly different from the theoretical dimension.

Steps:

1. Paste the installation Sticker 1 onto the wall. Make sure the sticker is placed leveled via measuring with the gradienter.
2. Chisel 4 holes with drill align to the screw holes on the sticker.
The suggested size of hole is 6 (diameter) × 25 (depth) mm.
The suggested length of cables left outside is 100 mm.

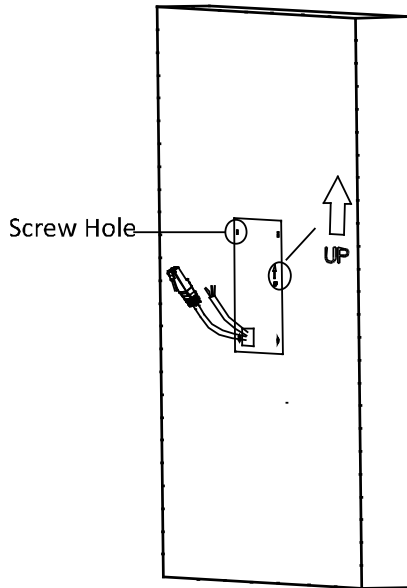


Figure 4-2 Chisel Screw Hole

3. Remove the sticker and insert the expansion sleeves into the screw holes.
4. Fix the mounting frame onto the wall with 4 expansion bolts.

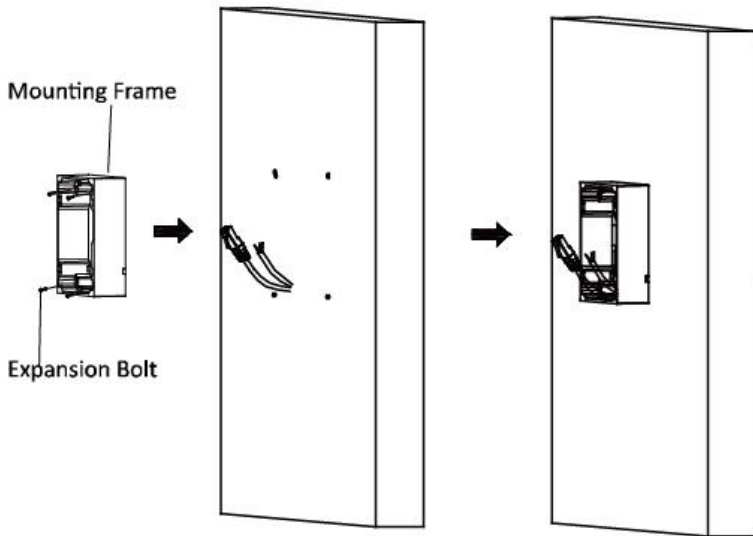
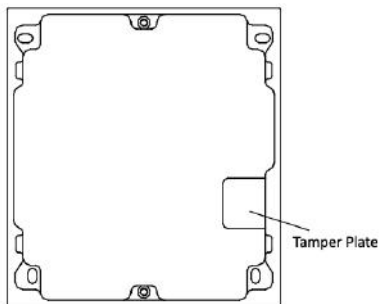


Figure 4-3 Fix the Mounting Frame

NOTE

- The mounting frame should be placed exactly as below for this step. The tamper plate should be at the low-right.



5. Connect the cables to the corresponding interfaces of the main unit and insert it into the frame.

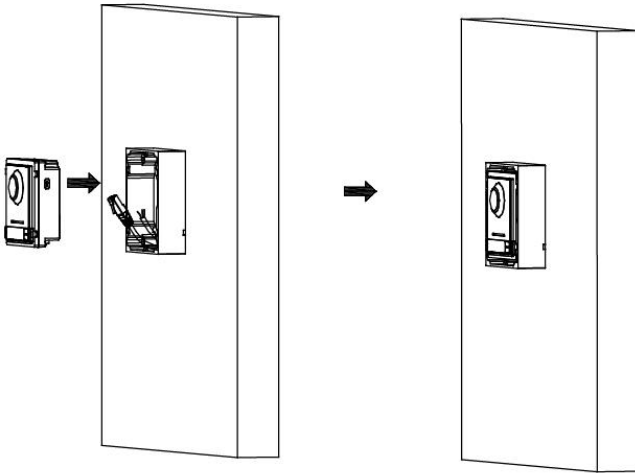


Figure 4-4 Insert the Main unit

6. Use the hexagon wrench in the package fix the cover onto the frame.

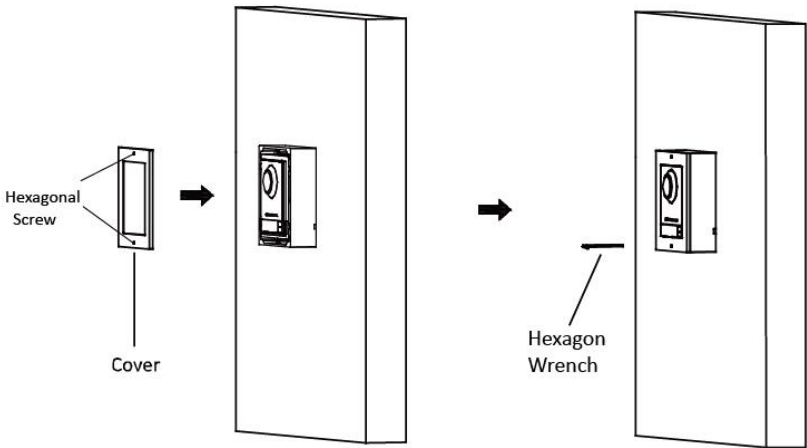


Figure 4-5 Fix the Cover

4.2.2 One-Module Flush Mounting Gang Box

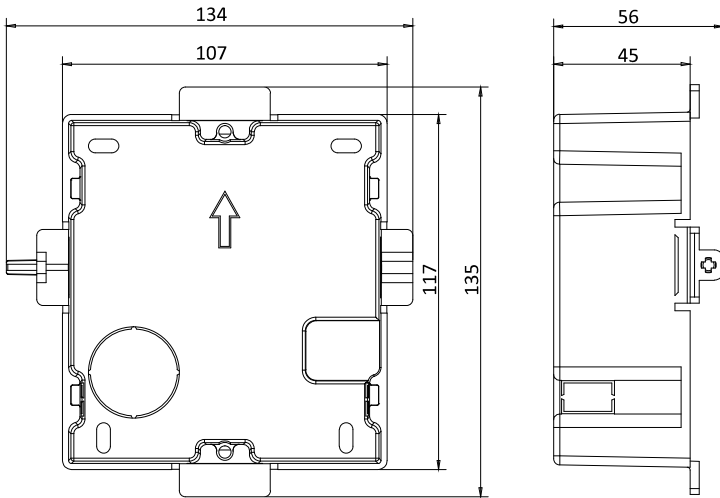


Figure 4-6 Front and Side View

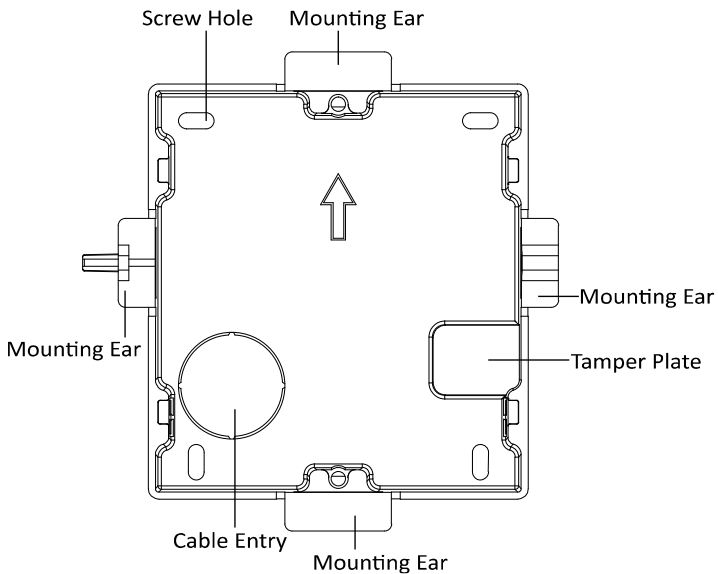


Figure 4-7 Appearance Description



- The dimension of one-module gang box is: 115(L)×134(W)×56(D) mm.
- The dimensions above are for reference only. The actual size can be slightly different from the theoretical dimension.

Steps:

1. Cave the installation hole, and pull the cable out.

The suggested dimension of installation hole is 118(L)×108(W)×45.5(D) mm.

The suggested length of cables left outside is 100 mm.

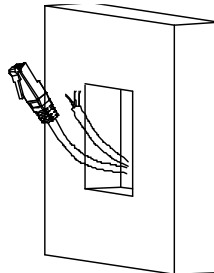


Figure 4-8 Cave the Installation Hole

2. Remove the plastic sheet in the cable entry.
3. Insert the gang box into the hole and pull out the cables through the cable entry.
Mark the screw holes' position with a marker, and take out the gang box.

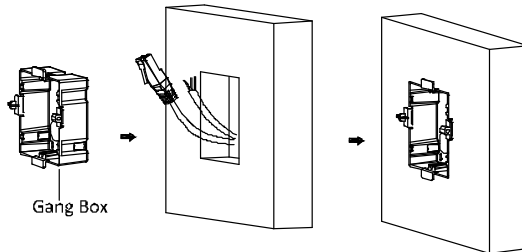


Figure 4-9 Mark the Screw Holes

4. Chisel 4 holes with drill align to marks on the wall, and insert the expansion sleeves into the screw holes.
The suggested size of hole is 6 (diameter) × 45 (depth) mm.
5. Fix the gang box with 4 expansion bolts.

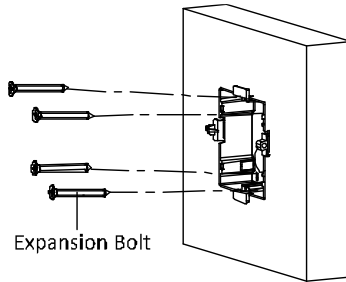


Figure 4-10 Fix the Gang Box

6. Fill and level up the gap between the gang box and wall with concrete. Remove the 4 mounting ears with tool after concrete is dry.

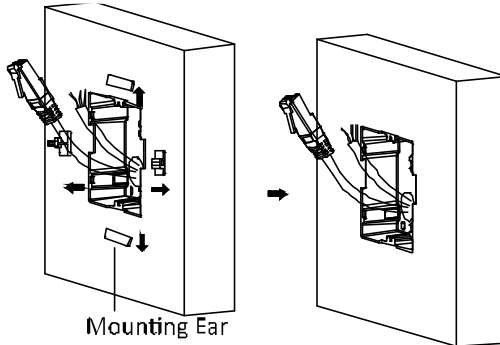


Figure 4-11 Remove the Mounting Ears

7. Insert the mounting frame together with the locating plates into the hole, and fix it with 4 expansion bolts.
8. Connect the cables to the corresponding interfaces of the main unit and insert it into the gang box.

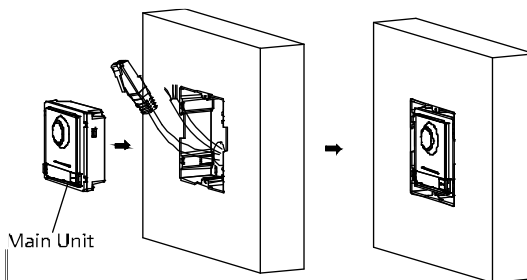


Figure 4-12 Insert the Main unit

9. Use the hexagon wrench in the package fix the cover.

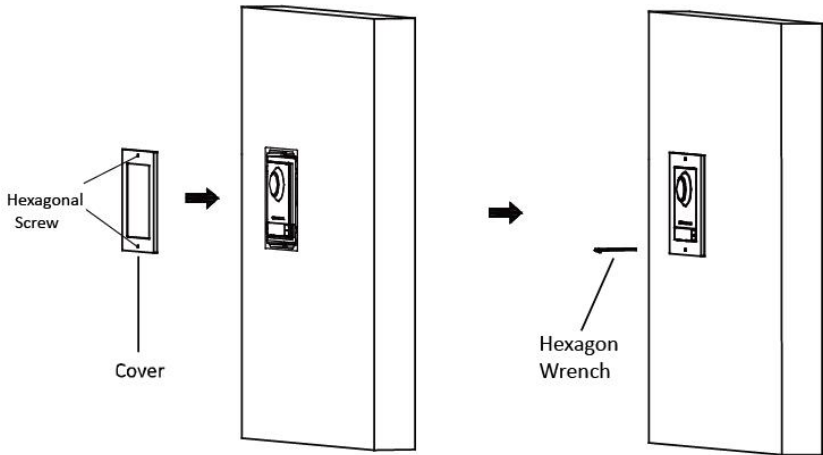


Figure 4-13 Fix the Cover

4.3 Two-Module Installation

4.3.1 Two-Module Surface Mounting Mounting Frame

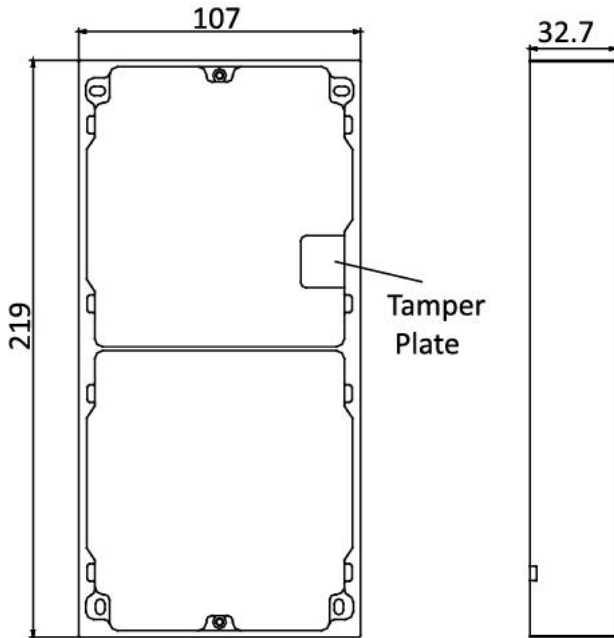


Figure 4-14 Front and Side View

NOTE

- The dimension of two-module mounting frame is: 219(L)×107 (W)×32.7(D) mm.
- The dimensions above are for reference only. The actual size can be slightly different from the theoretical dimension.

Steps:

1. Paste the installation Sticker 1 onto the wall. Make sure the sticker is placed leveled via measuring with the gradienter.
2. Chisel 4 holes with drill align to the screw holes on the sticker.
The suggested size of hole is 6 (diameter) × 25 (depth) mm.
The suggested length of cables left outside is 270 mm.

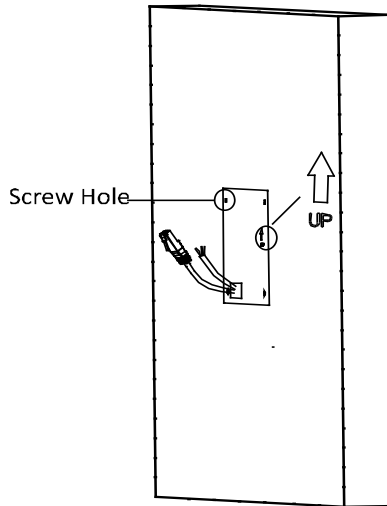


Figure 4-15 Chisel Screw Hole

3. Remove the sticker and insert the expansion sleeves into the screw holes.
4. Fix the mounting frame onto the wall with 4 expansion bolts.

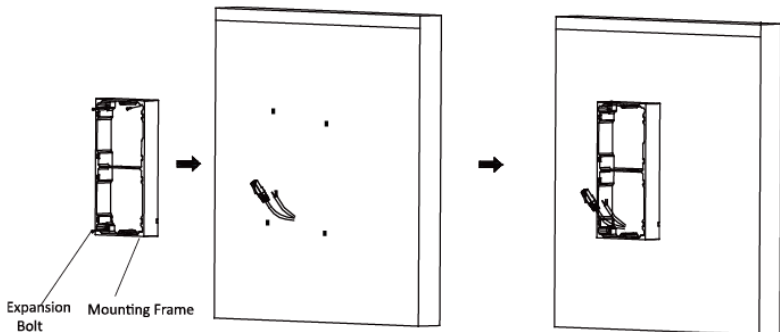
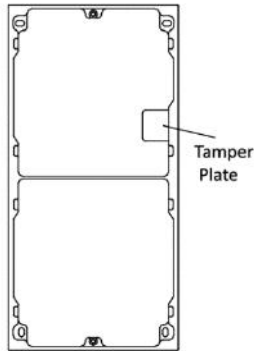


Figure 4-16 Fix the Mounting Frame

 **NOTE**

The mounting frame should be placed exactly as below for this step. The tamper plate should be at the low right of the first grid.



5. Thread the module-connecting line across the thread hole of the frame.
Pass the main unit connecting lines across the thread hole to the upper grid.

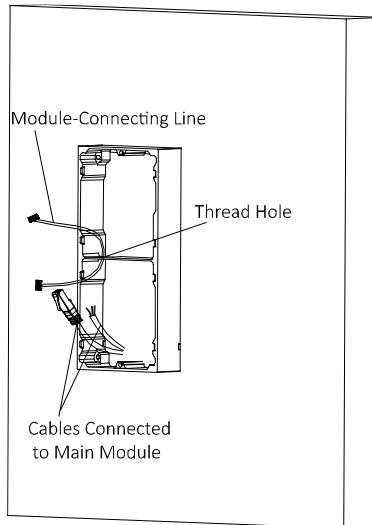


Figure 4-17 Placement of Lines

6. Connect the cables and module-connecting line to the corresponding interfaces of the main unit, then place the main unit into the upper grid.
Connect the other end of the module-connecting line to the input interface of the sub module.
Organize the line with cable tie in the package. The suggested line connection picture as below.

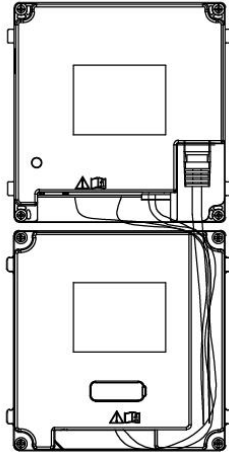


Figure 4-18 Line Connection Effect Picture

7. Insert the modules in to the frame after wiring. Main unit must be placed in the top grid.

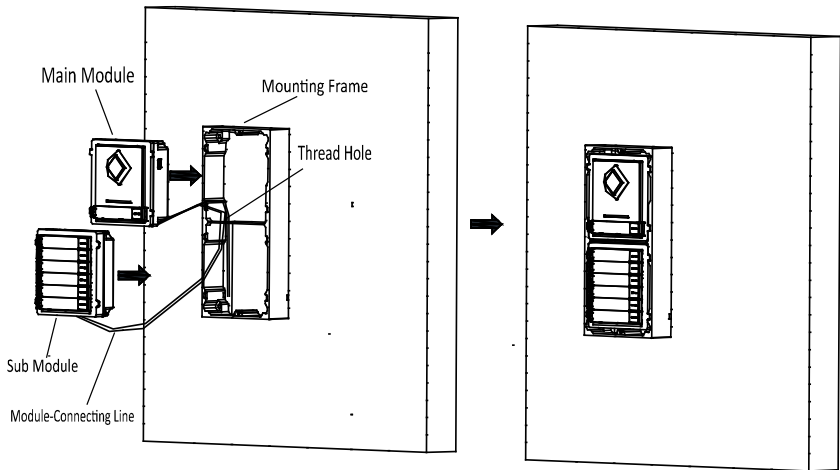


Figure 4-19 Insert the Modules

8. Use the hexagon wrench in the package fix the cover onto the frame.

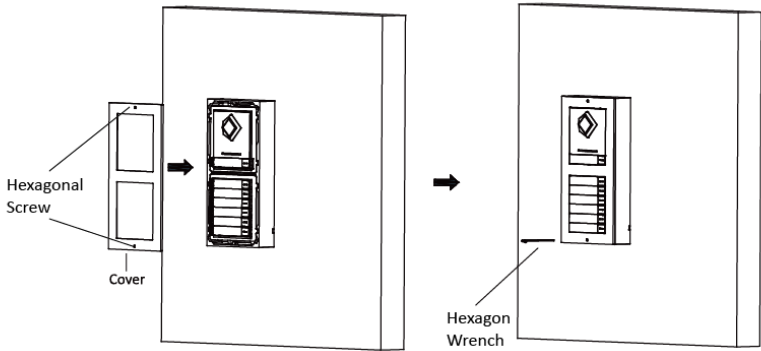


Figure 4-20 Fix the Cover

4.3.2 Two-Module Flush Mounting

Gang Box

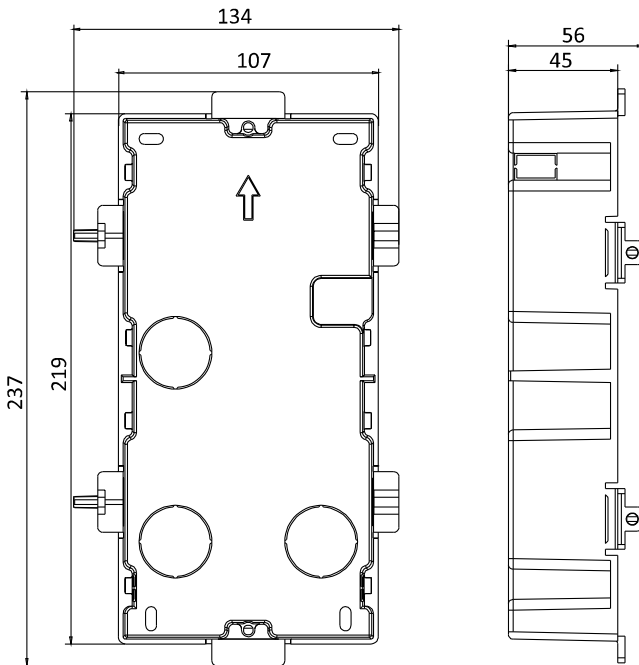


Figure 4-21 Front and Side View

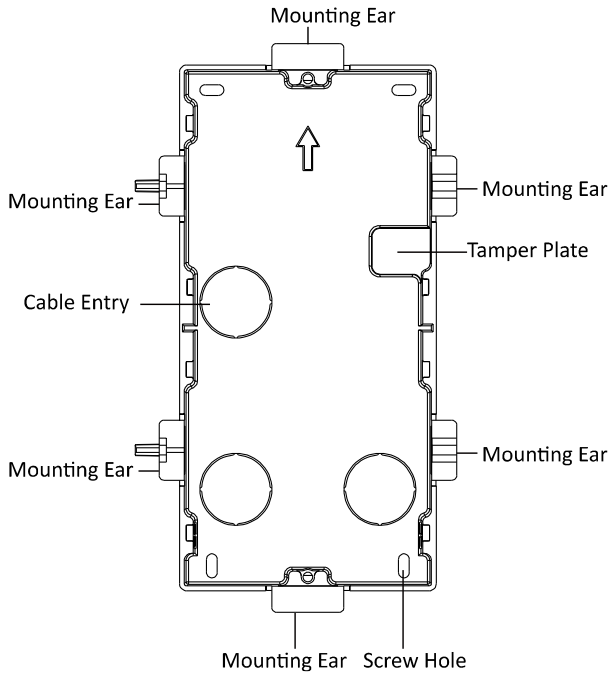


Figure 4-22 Appearance Description

NOTE

- The dimension of one-module gang box is: 237(L)×134(W)×56(D) mm.
- The dimensions above are for reference only. The actual size can be slightly different from the theoretical dimension.

Steps:

1. Cave the installation hole, and pull the cable out.
 The suggested dimension of installation hole is 220(L)×108(W)×45.5(D) mm.
 The suggested length of cables left outside is 270 mm.

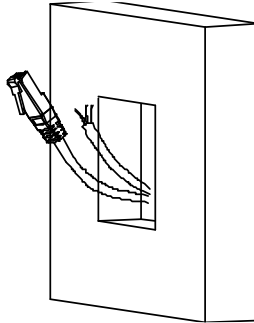


Figure 4-23 Cave the Installation Hole

2. Remove the plastic sheet of the cable entry which will be used.
3. Insert the gang box into the hole and pull out the cables through the cable entry. Mark the screw holes' position with a marker, and take out the gang box.

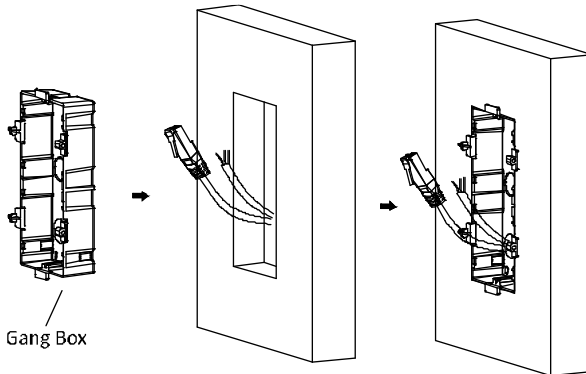


Figure 4-24 Mark the Screw Holes

4. Chisel 4 holes with drill align to marks on the wall, and insert the expansion sleeves into the screw holes.
The suggested size of hole is 6 (diameter) × 45 (depth) mm.
5. Fix the gang box with 4 expansion bolts.

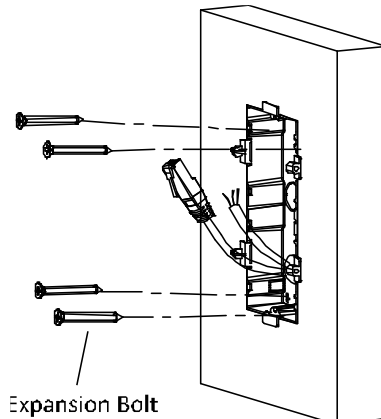


Figure 4-25 Fix the Gang Box

6. Fill and level up the gap between the gang box and wall with concrete. Remove the mounting ears with tool after concrete is dry.

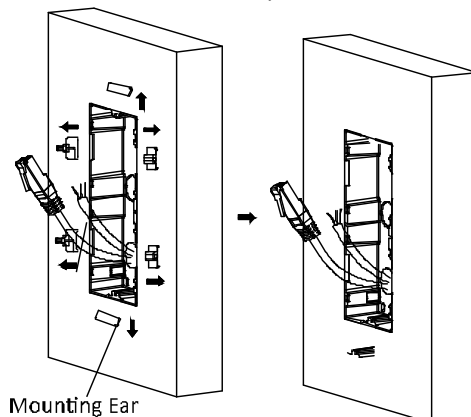


Figure 4-26 Remove the Mounting Ears

7. Connect wires and insert the modules:
 - a. Connect Cable 1 and one end of Cable 2 to the corresponding interfaces of the main unit, then place the main unit into the upper grid.
 - b. Connect the other end of Cable 2 to the input interface of the sub module. Insert it into the lower grid.

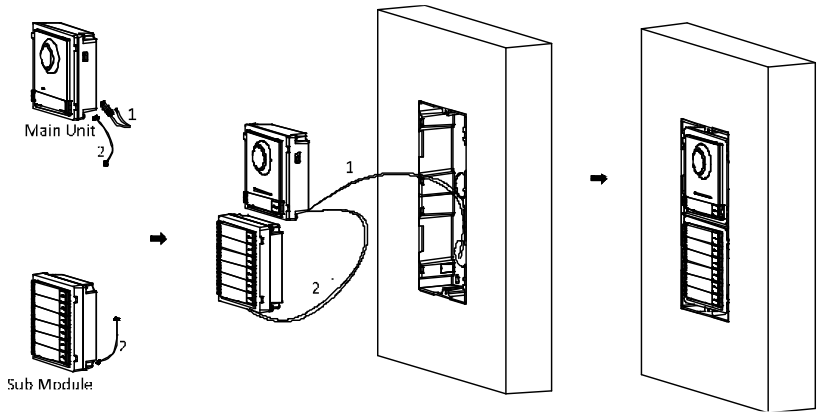


Figure 4-27 Connect Wires and Insert Modules

NOTE

Cable 1 refers to the cables pulled out from the wall that connected to the main unit. Cable 2 refers to the module-connecting line in the accessory package.

8. Use the hexagon wrench in the package fix the cover.

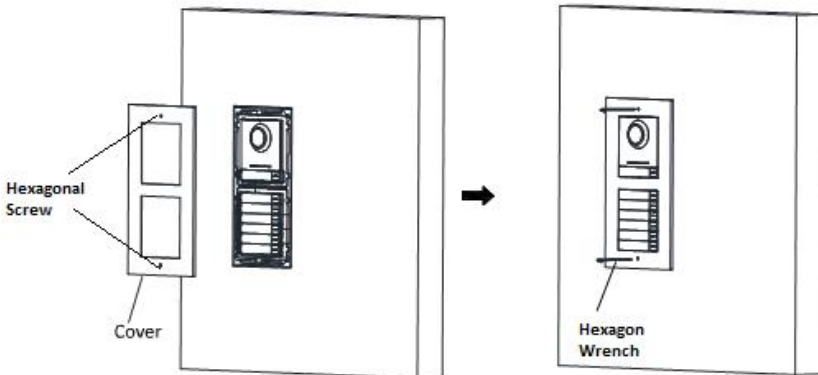


Figure 4-28 Fix the Cover

4.4 Three-Module Installation

4.4.1 Three-Module Surface Mounting

Installation Frame

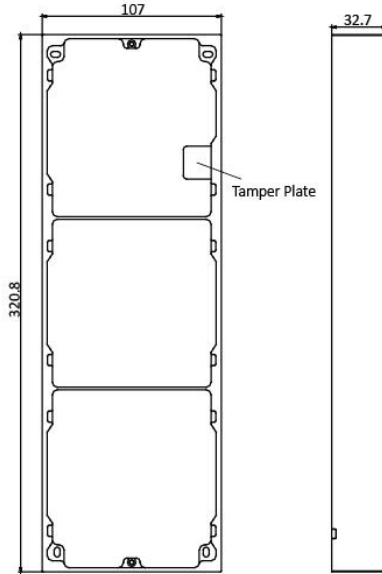


Figure 4-29 Front and Side View

NOTE

- The dimension of two-module mounting frame is: 320.8(L)×107 (W)×32.7(D) mm.
- The dimensions above are for reference only. The actual size can be slightly different from the theoretical dimension.

Steps:

1. Paste the installation Sticker 1 onto the wall. Make sure the sticker is placed leveled via measuring with the gradienter.
2. Chisel 4 holes with drill align to the screw holes on the sticker.
The suggested size of hole is 6 (diameter) × 25 (depth) mm.
The suggested length of cables left outside is 270 mm.

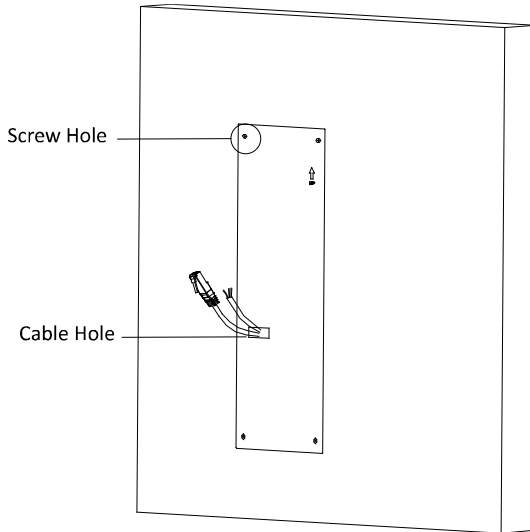


Figure 4-30 Chisel Screw Hole

3. Remove the sticker and insert the expansion sleeves into the screw holes.
4. Fix the mounting frame onto the wall with 4 expansion bolts.

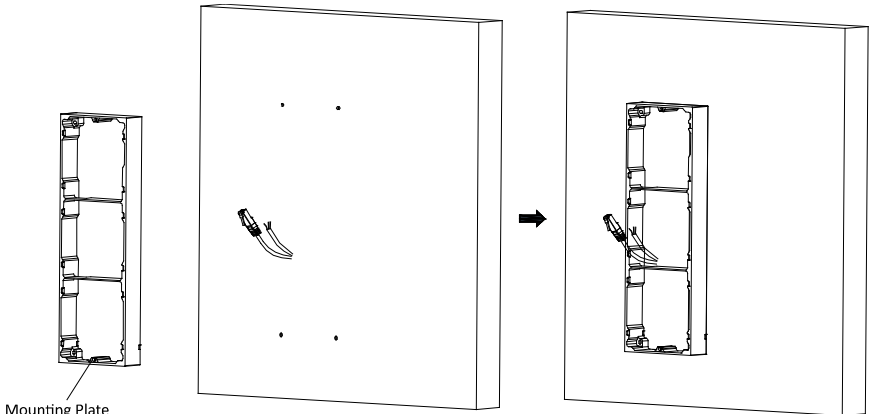
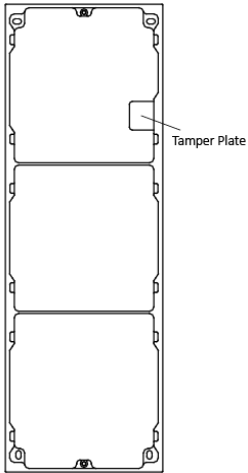


Figure 4-31 Fix the Mounting Frame



The mounting frame should be placed exactly as below for this step. The tamper plate should be at the low right of the first grid.



5. Thread the module-connecting lines across the thread holes of the frame.
Pass the main unit connecting lines across the thread hole to the top grid.

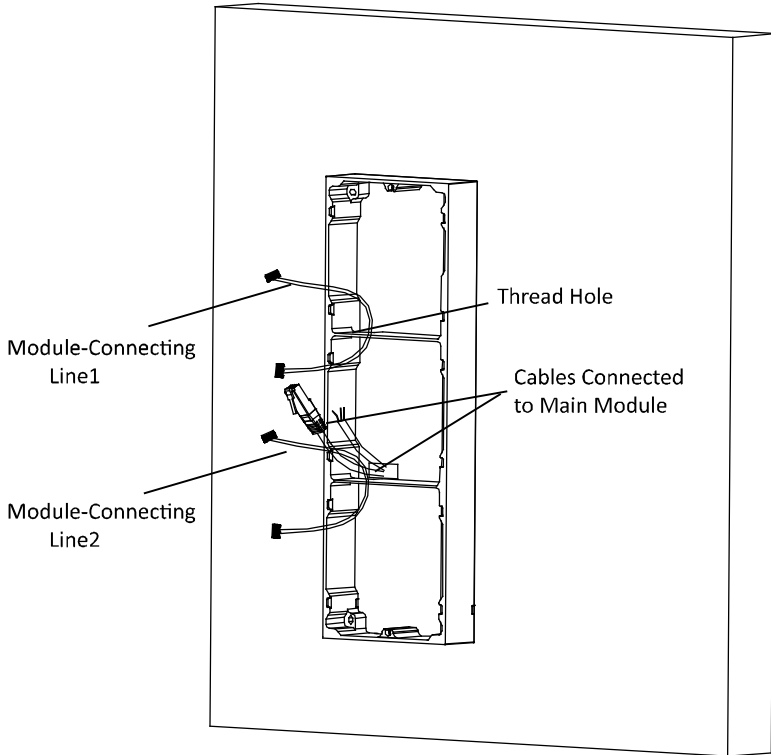


Figure 4-32 Placement of Lines

6. Connect the cables and module-connecting line 1 to the corresponding interfaces of the main unit, then place the main unit into the upper grid.
Connect the other end of the module-connecting line1 to the input interface of the sub module. Connect two sub modules via module-connecting line 2.
Organize the line with cable tie in the package. The suggested line connection picture as below.

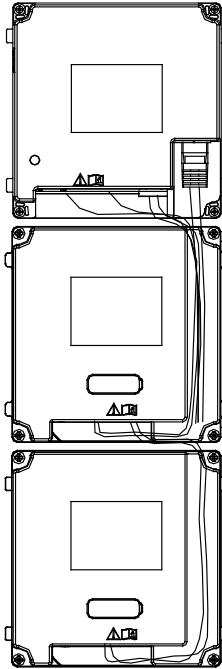


Figure 4-33 Line Connection Effect Picture

7. Insert the modules in to the frame after wiring. Main unit must be placed in the top grid.

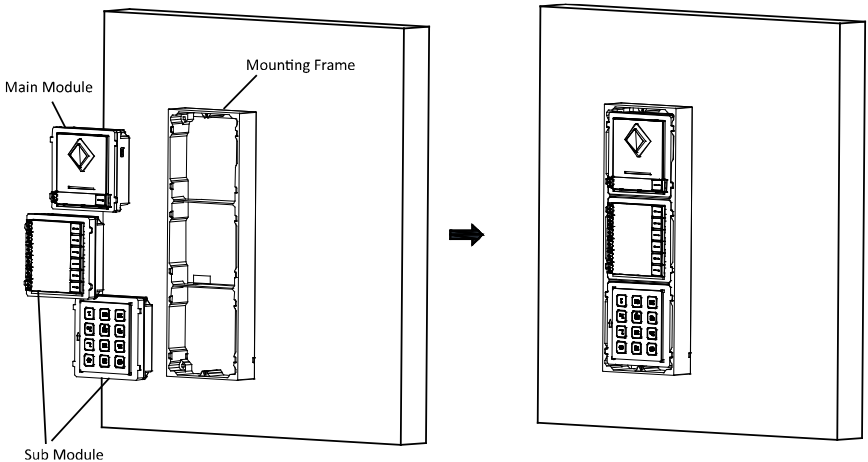


Figure 4-34 Insert the Modules

8. Use the hexagon wrench in the package fix the cover onto the frame.

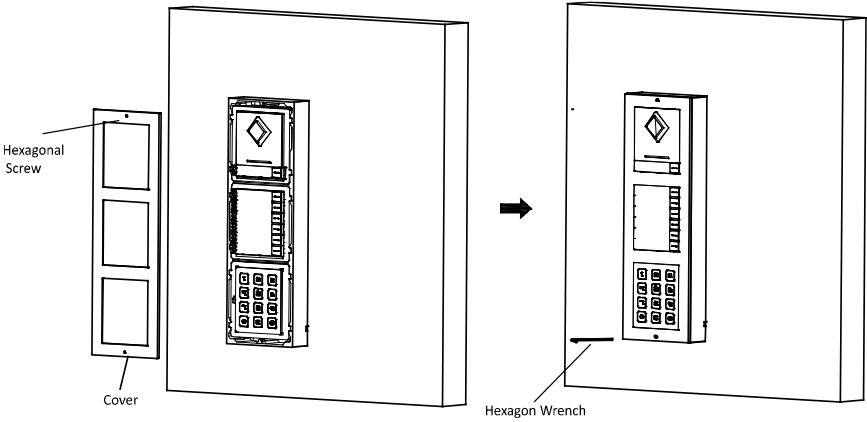


Figure 4-35 Fix the Cover

4.4.2 Three-Module Flush Mounting Gang Box

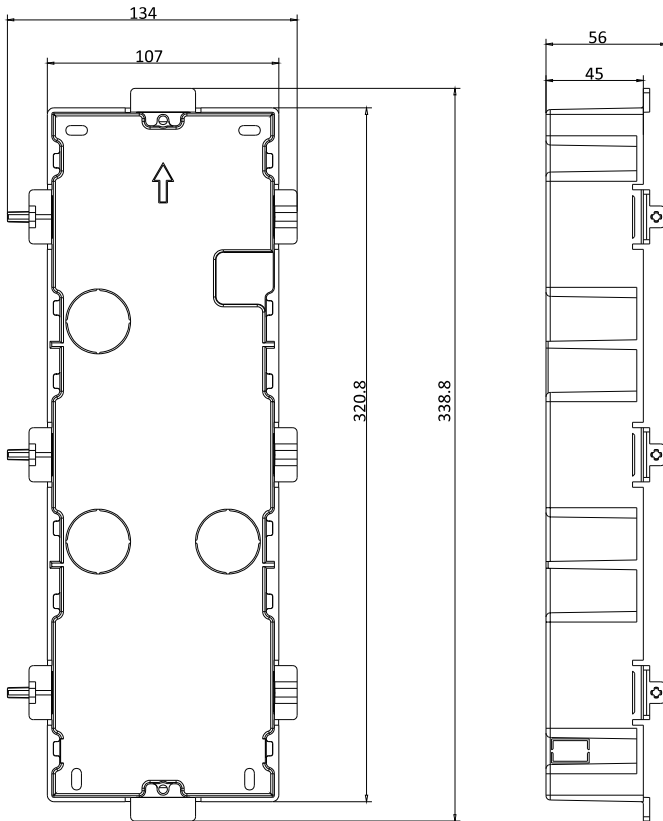


Figure 4-36 Front and Side View

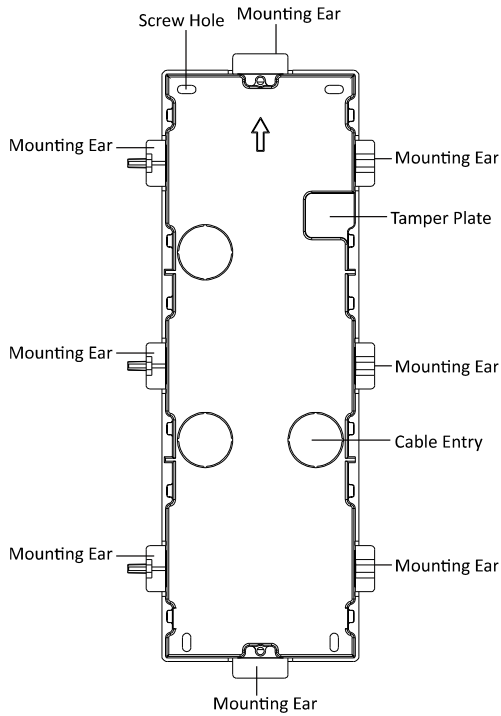


Figure 4-37 Appearance Description

NOTE

- The dimension of one-module gang box is: 338.8(L)×134(W)×56(D) mm.
- The dimensions above are for reference only. The actual size can be slightly different from the theoretical dimension.

Steps:

1. Cave the installation hole, and pull the cable out.
 The suggested dimension of installation hole is 321.8(L)×108(W)×45.5(D) mm.
 The suggested length of cables left outside is 270 mm.

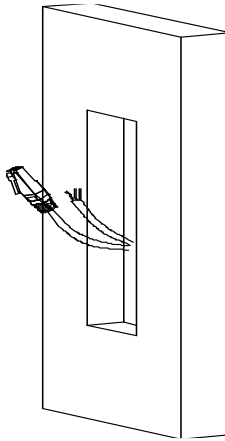


Figure 4-38 Cave the Installation Hole

2. Remove the plastic sheet of the cable entry which will be used.
3. Insert the gang box into the hole and pull out the cables through the cable entry. Mark the screw holes' position with a marker, and take out the gang box.

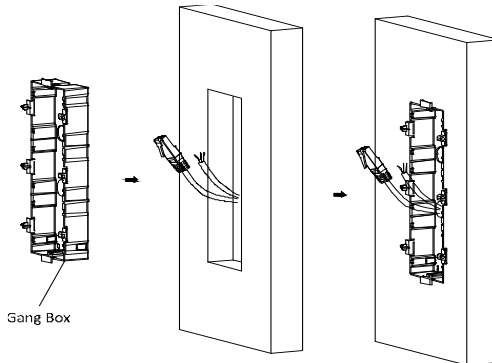


Figure 4-39 Mark the Screw Holes

4. Chisel 4 holes with drill align to marks on the wall, and insert the expansion sleeves into the screw holes.
The suggested size of hole is 6 (diameter) × 45 (depth) mm.
5. Fix the gang box with 4 expansion bolts.

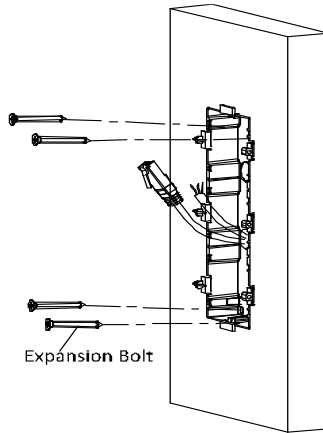


Figure 4-40 Fix the Gang Box

6. Fill and level up the gap between the gang box and wall with concrete. Remove the mounting ears with tool after concrete is dry.

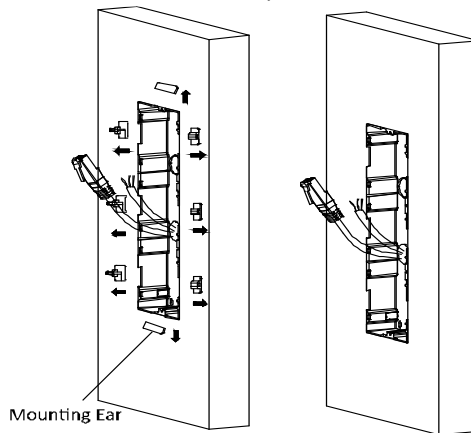


Figure 4-41 Remove the Mounting Ears

7. Connect wires and insert the modules:
 - a. Connect Cable 1 and one end of Cable 2 to the corresponding interfaces of the Main Unit, then place the Main Unit into the upper grid.
 - b. Connect the other end of Cable 2 to the input interface of Sub Module 1. Connect one end of Cable 3 to the output interface of Sub Module 1 and insert it into the middle grid.

c. Connect the other end of Cable 3 to the input interface of Sub Module 2. Insert it into the bottom grid.

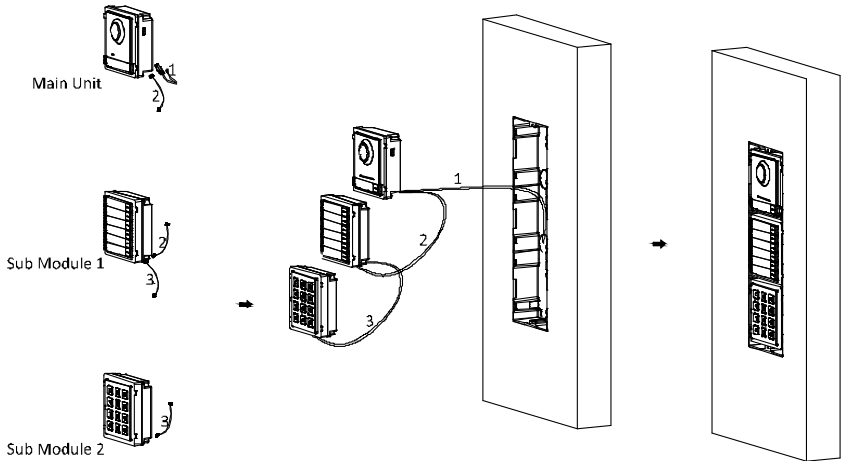


Figure 4-42 Connect Wires and Insert Modules

 **NOTE**

Cable 1 refers to the cables pulled out from the wall that connected to the main unit. Cable 2 and Cable 3 refer to the module-connecting line in the accessory package.

8. Use the hexagon wrench in the package to fix the cover onto the gang box.

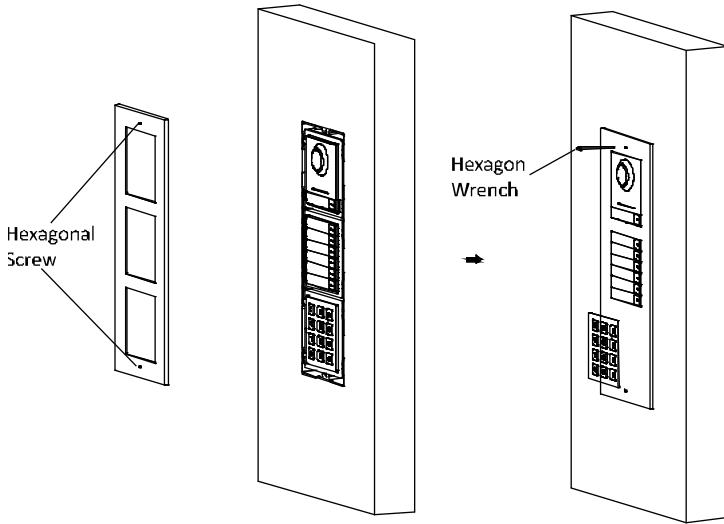


Figure 4-43 Fix the Cover

4.5 More-than-Three Module Installation

4.5.1 More-than-Three Module Surface Mounting

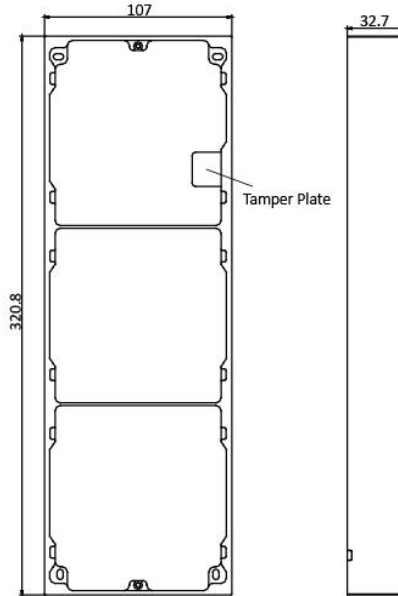


Figure 4-44 Front and Side View

NOTE

- It takes two three-module mounting frames. The dimension of three-module mounting frame is: 320.8(L) × 107 (W) × 32.7(D) mm.
- The dimensions above are for reference only. The actual size can be slightly different from the theoretical dimension.

Steps:

1. Paste two Sticker 1 onto the wall. Make sure the stickers are placed leveled via measuring with the gradienter.
2. Chisel 8 holes with drill align to the screw holes on the sticker.
The suggested size of hole is 6 (diameter) × 25 (depth) mm.
The suggested length of cables left outside is 270 mm.

3. Pull out the cable through the cable hole of the left sticker.

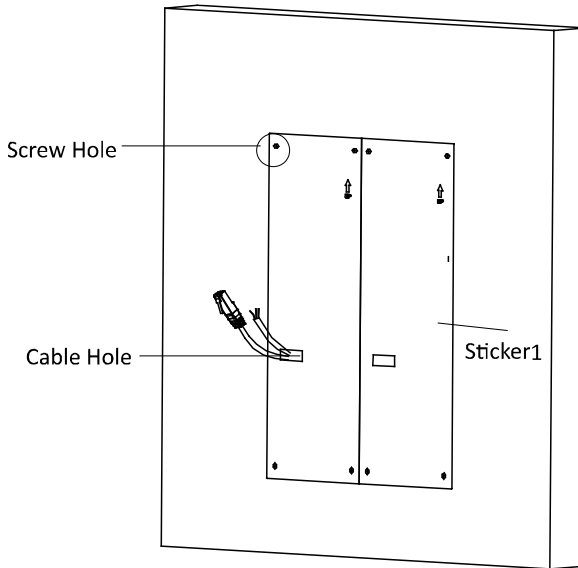


Figure 4-45 Chisel Screw Hole

4. Remove the stickers and insert the expansion sleeves into the screw holes.
5. Thread the module-connecting line (400 mm) and grounding line across the thread hole of both frames.

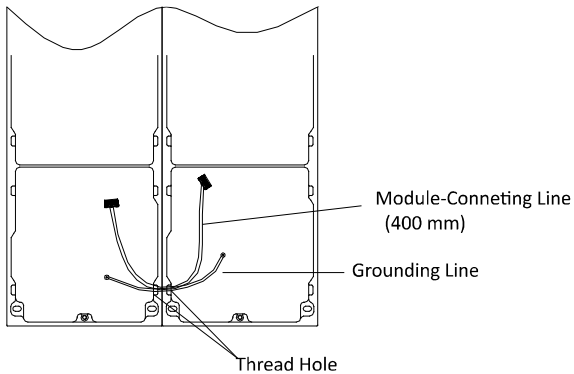


Figure 4-46 Place the Grounding Line and Module-Connecting Line



- There are 6 module-connecting lines in the package: 190 mm *4 and 400 mm*2.
 - Take the 400 mm one for this step.
 - The green-yellow line in the package is for grounding.
6. Fix the mounting frame onto the wall with 8 expansion bolts.

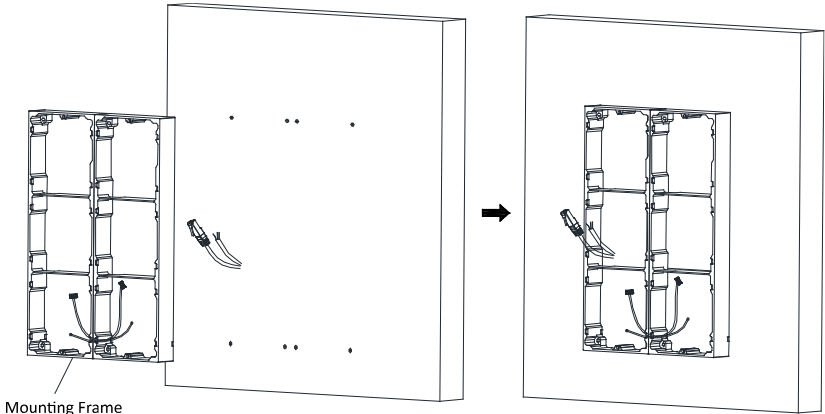
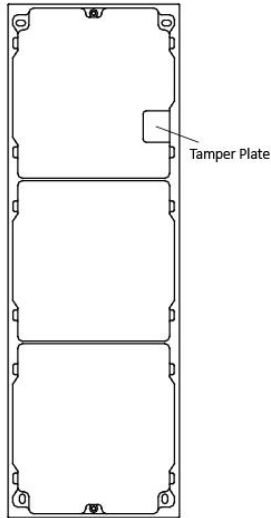


Figure 4-47 Fix the Mounting Frame

 **NOTE**

The mounting frame should be placed exactly as below for this step. The tamper plate should be at the low right of the first grid.



7. Pass the main unit connecting lines across the thread hole to the top grid of the left frame.
Thread the module-connecting line (190 mm) across the thread hole of the frame.
The lines should be placed as below:

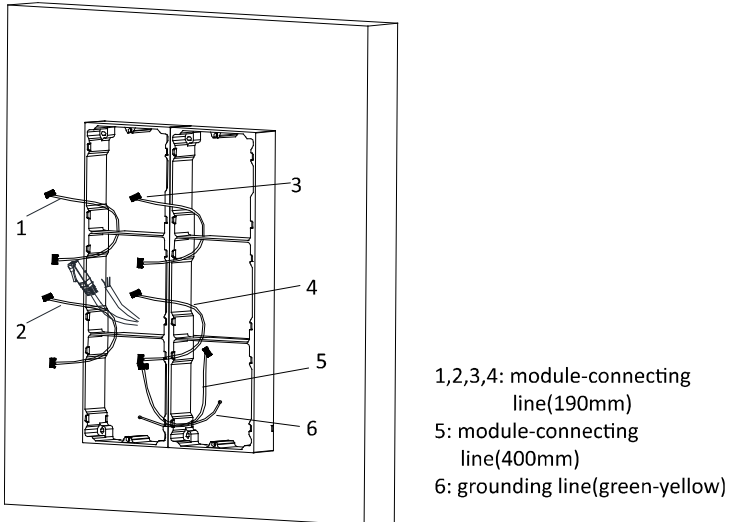


Figure 4-48 Placement of Lines

8. Connect the cables and module-connecting line 1 to the corresponding interfaces of the main unit, then place the main unit into the upper grid.

Connect the other end of the module-connecting line 1 to the input interface of the sub module. Connect all sub modules via module-connecting lines.

Organize the line with cable tie in the package. The suggested line connection picture as below.

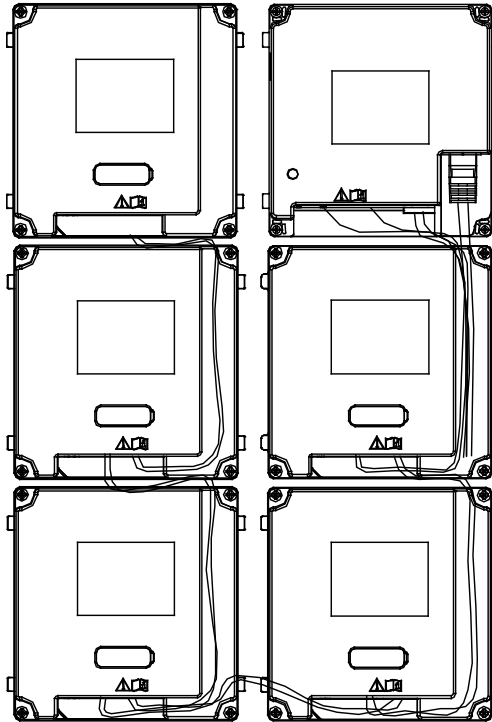


Figure 4-49 Line Connection Effect Picture

9. Insert the modules in to the frame after wiring. Main unit must be placed in the top grid on the left.

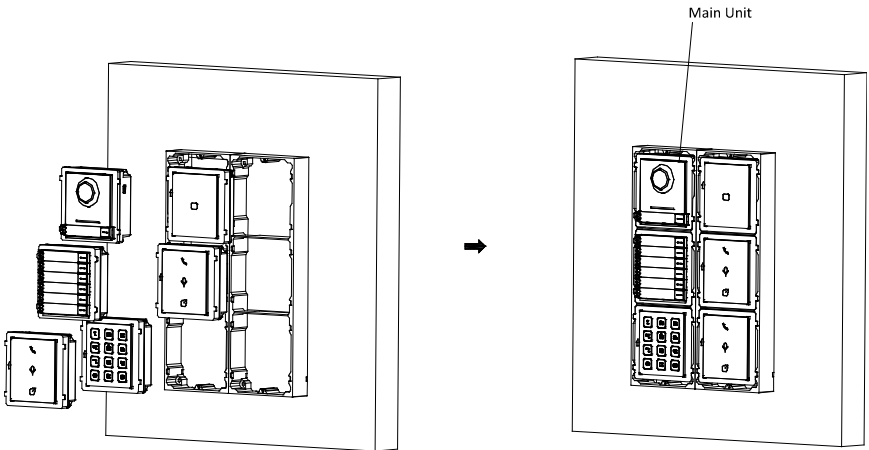


Figure 4-50 Insert the Modules

10. Pull the grounding line out and fixed its two end to the screw on the cover.

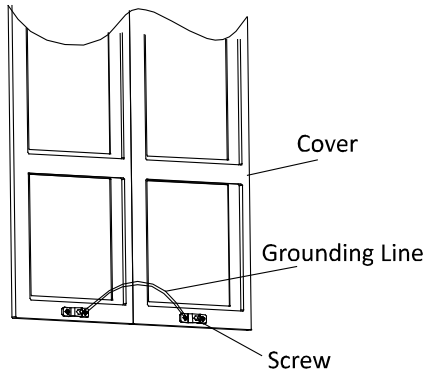


Figure 4-51 Connect the Grounding Line to the Cover

11. Use the hexagon wrench in the package fix the cover onto the frame.

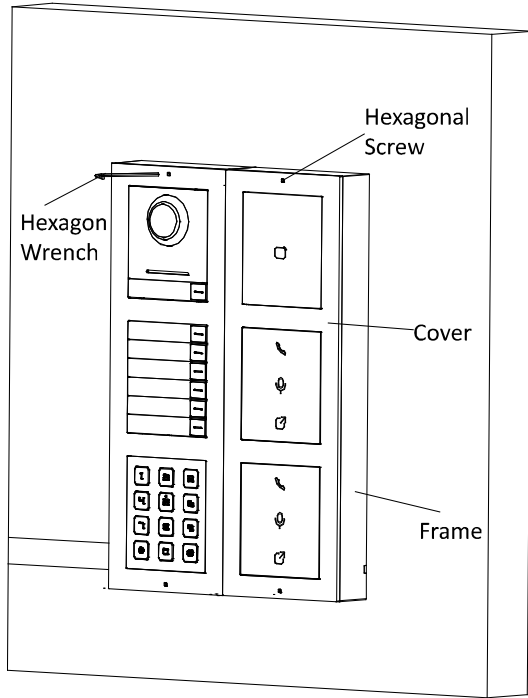


Figure 4-52 Fix the Cover

4.5.2 More-than-Three Module Flush Mounting Gang Box

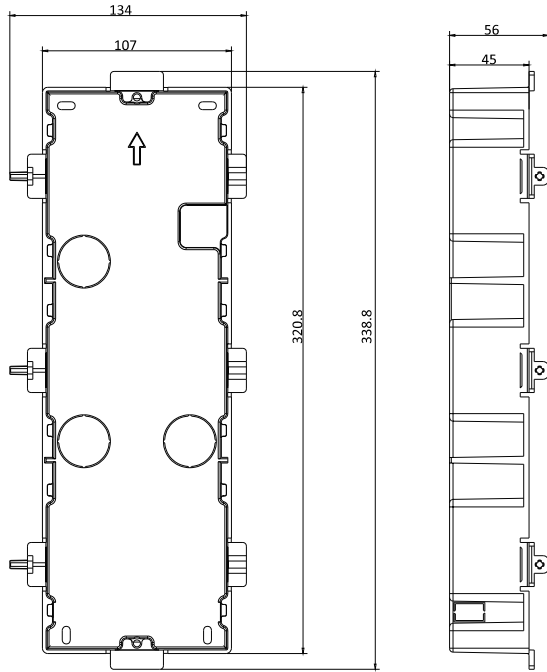


Figure 4-53 Front and Side View

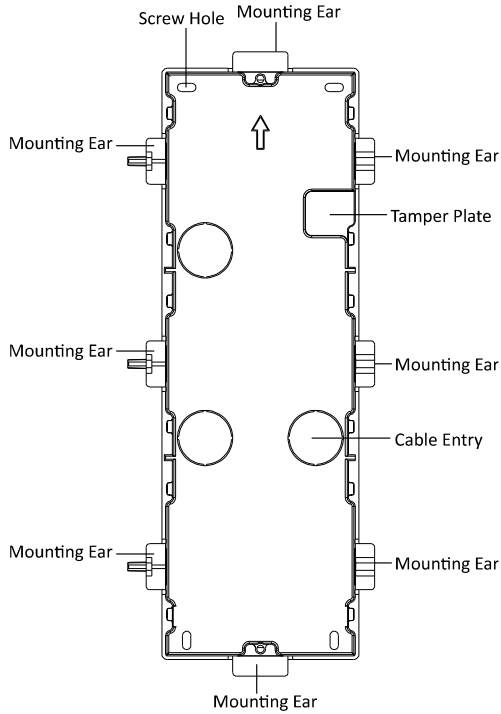


Figure 4-54 Appearance Description

NOTE

- It takes two three-module gang boxes. The dimension of the gang box is: 338.8(L) × 134 (W) × 56(D) mm.
- The dimensions above are for reference only. The actual size can be slightly different from the theoretical dimension.

Steps:

1. Cave the installation hole, and pull the cable out.
 The suggested dimension of installation hole is 321.8(L) × 315(W) × 45.5(D) mm.
 The suggested length of cables left outside is 270 mm.

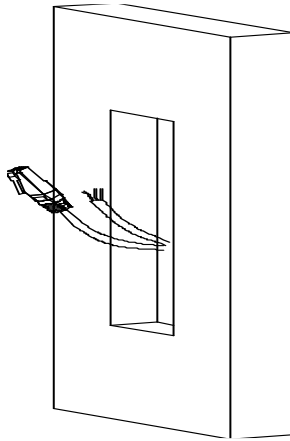


Figure 4-55 Cave the Installation Hole

2. Connect the two gang boxes as the below.

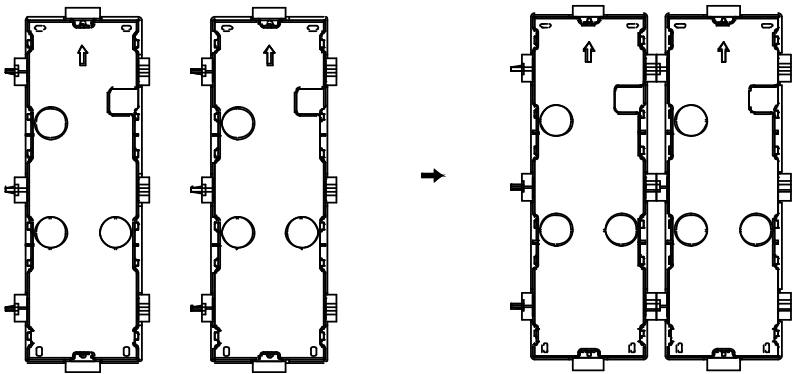


Figure 4-56 Cave the Installation Hole

3. Remove the plastic sheet of the cable entry which will be used.

4. Remove the plastic sheets on the side of the gang boxes (shown as 1 and 2) blow:

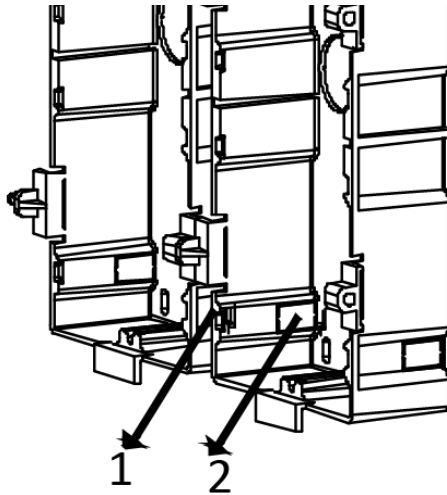


Figure 4-57 Remove the Plastic Sheets

5. Insert the gang boxes into the hole and pull out the cables through the cable entry. Mark the screw holes' position with a marker, and take out the gang boxes.

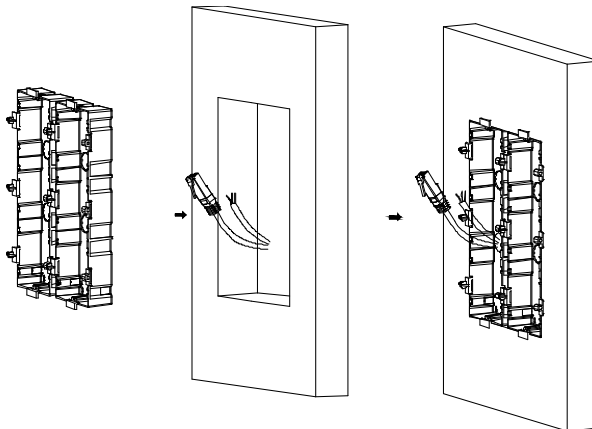


Figure 4-58 Mark the Screw Holes

6. Chisel 8 holes with drill align to marks on the wall, and insert the expansion sleeves into the screw holes.
The suggested size of hole is 6 (diameter) × 45 (depth) mm.
7. Fix the gang boxes with 8 expansion bolts.

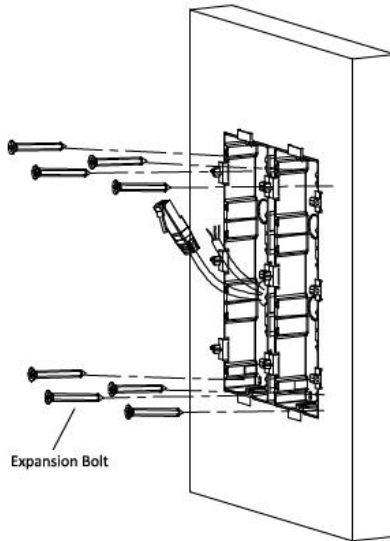


Figure 4-59 Fix the Gang Boxes

8. Fill and level up the gap between the gang box and wall with concrete. Remove the mounting ears with tool after concrete is dry.

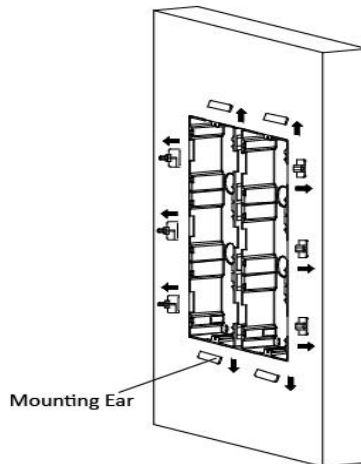


Figure 4-60 Remove the Mounting Ears

9. Pass the grounding line through the cable entries.

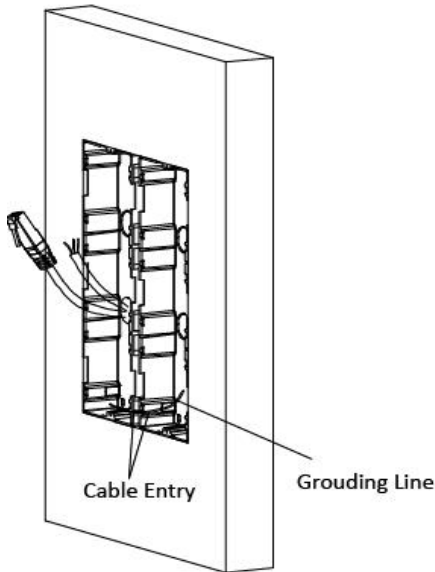


Figure 4-61 Place the Grounding Line

 **NOTE**

- The green-yellow line in the package is for grounding.
10. Connect wires and insert the modules.
- a. Connect Cable 1 and one end of Cable 2 to the corresponding interfaces of the Main Unit, then place the Main Unit into the upper grid of the left gang box.
 - b. Connect the other end of Cable 2 to the input interface of Sub Module 1. Connect one end of Cable 3 to the output interface of Sub Module 1 and insert it into the middle grid of the left gang box.
 - c. Finish the wiring and inserting according to the cable number and the position shown as below.

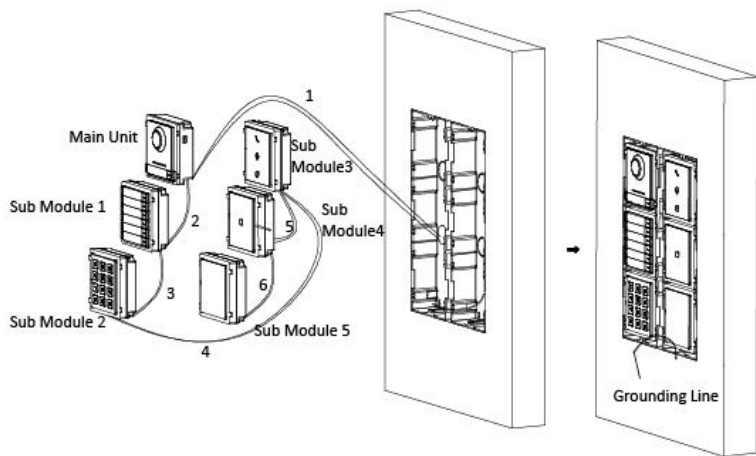


Figure 4-62 Install Mounting Frames

The cables connect to each module shown as below:

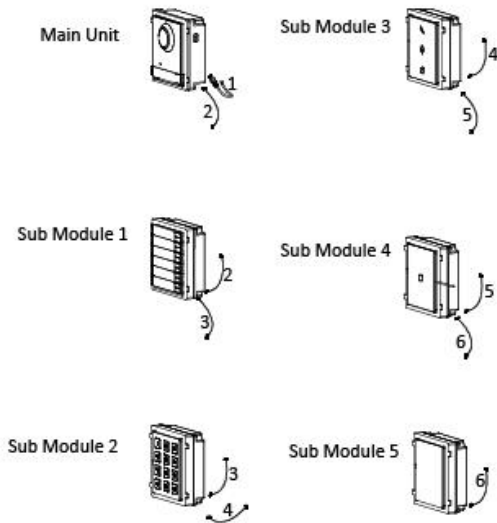


Figure 4-63 Install Mounting Frames

 **NOTE**

- Cable 2,3,5 and 6 are the module-connecting lines (190 mm) in the package.
 - Cable 4 is the module-connecting line (400 mm) in the package.
 - Main unit must be put in the top grid.
11. Pull the grounding line out and fixed its two end to the screw on the cover.

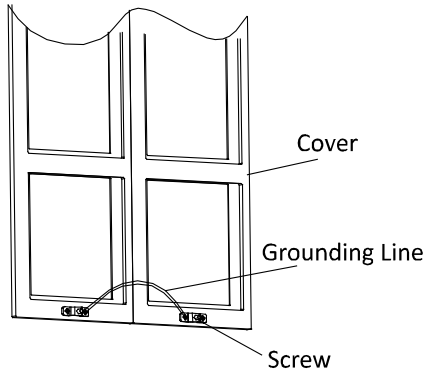


Figure 4-64 Connect the Grounding Line to the Cover

12. Use the hexagon wrench in the package fix the cover onto the gang box.

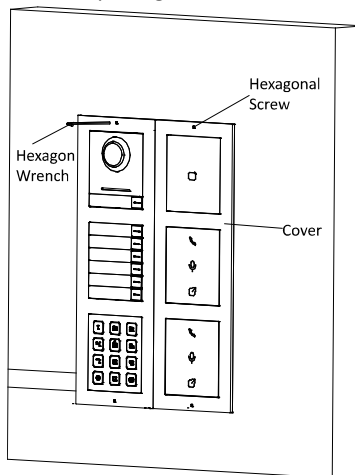


Figure 4-65 Fix the Cover

5 Device Configuration

You need to activate device and configure corresponding parameters via iVMS-4200 before use.

5.1 Activate Device

You cannot use the door station until you activate it.

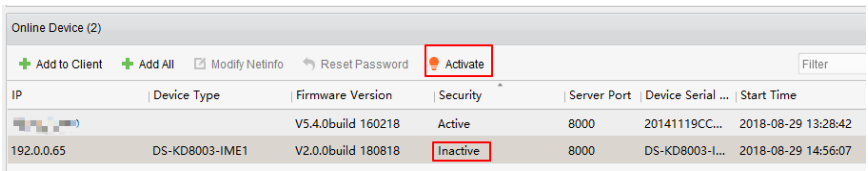
You can configure and operate the video intercom devices via iVMS-4200.

Default parameters of door station are as follows:

- Default IP Address: 192.0.0.65.
- Default Port No.: 8000.
- Default User Name: admin.

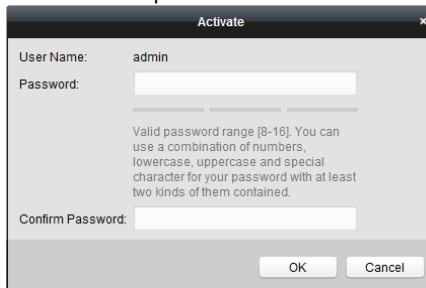
Steps:

1. Run iVMS-4200, enter **Device Management**, check the **Online Device** area.
2. Select an inactivated device and click the **Activate** button.



IP	Device Type	Firmware Version	Security	Server Port	Device Serial ...	Start Time
192.0.0.65	DS-KD8003-IME1	V2.0.0build 180818	Inactive	8000	DS-KD8003-L...	2018-08-29 14:56:07

3. Create a password, and confirm the password.



Activate

User Name: admin

Password:

Valid password range [8-16]. You can use a combination of numbers, lowercase, uppercase and special character for your password with at least two kinds of them contained.

Confirm Password:

OK Cancel

STRONG PASSWORD RECOMMENDED– We highly recommend you create a



We highly recommend you create a strong password of your own choosing (Using a minimum of 8 characters, including at least three of the following categories: upper case letters, lower case letters, numbers, and special characters.) in order to increase the security of your product. And we recommend you reset your password regularly, especially in the high security system, resetting the password monthly or weekly can better protect your product.

4. Click the **OK** button to activate the device.



NOTE

- When the device is not activated, the basic operation and remote operation of device cannot be performed.
- You can hold the **Ctrl** or **Shift** key to select multiple devices in the online devices, and click the **Activate** button to activate devices in batch.

5.2 Edit Network Parameters

Purpose:

To operate and configure the device via LAN (Local Area Network), you need connect the device in the same subnet with your PC. You can edit network parameters via iVMS-4200 software.

Steps:

1. Select an online activated device and click the **Modify Netinfo** button.

Online Device (2)						
+ Add to Client		+ Add All		<input checked="" type="checkbox"/> Modify Netinfo	↻ Reset Password	💡 Activate
Filter						
IP	Device Type	Firmware Version	Security	Server Port	Device Serial ...	Start Time
192.0.0.6	DS-KD8003-IME1	V2.0.0/build 180818	Active	8000	...	2018-08-29 14:15:56

2. Change the device IP address and gateway address to the same subnet with your computer.
3. Enter the password and click the **OK** button to activate the network parameters modification.

NOTE


- The default port No. is 8000.
- The default IP address of the door station is 192.0.0.65.
- After editing the network parameters of device, you should add the devices to the device list again.

5.3 Add Device

- You can add at most 16 door stations to the iVMS-4200.
- For the device, you are required to create the password to activate them before they can be added to the software and work properly.
- You can add online devices, and add them manually. Here take adding online video intercom devices as example.

Steps:



1. Click the  icon on the control panel, or click **Tools->Device Management** to open the Device Management page.
2. Click **Device**.
3. On the Device Type panel on the right, you can select **Hikvision Device** to add video intercom devices.
4. The active online devices in the same local subnet with the client software will be displayed on the **Online Device** area. You can click **Refresh Every 60s** to refresh the information of the online devices.

Online Device (5)							Refresh Every 60s
+ Add to Client + Add All 🔗 Modify Netinfo ↶ Reset Password 🔒 Activate							Filter
IP	Device Type	Firmware Version	Security	Server Port	Start Time	Added	
10.16.2.11	XX-XXXX-XX	Vx.x.x build xxxxxx	Active	8000	2016-07-05 09:21:55	No	
10.16.2.85	XX-XXXX-XX	Vx.x.x build xxxxxx	Active	8000	2019-01-21 21:43:24	Yes	
10.16.2.102	XX-XXXX-XX	Vx.x.x build xxxxxx	Active	8000	2016-07-05 09:33:52	No	



NOTE

To add online devices to the software, you are required to change the device IP address to the same subnet with your computer first.

5. Select the devices to be added from the list.
6. Click **Add to Client** to open the device adding dialog box.
7. Input the required information.

Nickname: Edit a name for the device as you want.

Address: Input the device's IP address. The IP address of the device is obtained automatically in this adding mode.

Port: Input the device port No. The default value is 8000.

User Name: Input the device user name. By default, the user name is admin.

Password: Input the device password.

Optionally, you can check the checkbox **Export to Group** to create a group by the device name. All the channels of the device will be imported to the corresponding group by default.



NOTE

iVMS-4200 also provides a method to add the offline devices. Check the checkbox **Add Offline Device**, input the required information and the device channel number and alarm input number, and then click **Add**. When the offline device comes online, the software will connect it automatically.

8. Click **Add** to add the device.

**NOTE****Add Multiple Online Devices**

If you want to add multiple online devices to the client software, click and hold Ctrl key to select multiple devices, and click **Add to Client** to open the device adding dialog box. In the pop-up message box, enter the user name and password for the devices to be added.

Add All the Online Devices

If you want to add all the online devices to the client software, click Add All and click **OK** in the pop-up message box. Then enter the user name and password for the devices to be added.


5.4 Reset Password

You can restore the default password or resetting the password for the door station. Select the device from the online device list, click **Reset Password**.

If the window with import file button, key importing mode drop-down list, password and confirm password field pops up, follow the steps below to reset the password:

**NOTE**



This option is available to door stations.

1. Click **Export** to save the device file on your computer.
2. Send the file to our technical engineers.
3. Our technical engineer will send you a file to you. After receiving a file from the technical engineer, select **Import File** from Key Importing Mode drop-down list and click  to import the file.
4. Input new password in text fields of **Password** and **Confirm Password**.
5. Click **OK** to reset the password.

STRONG PASSWORD RECOMMENDED– *We highly recommend you create a strong password of your own choosing (Using a minimum of 8 characters, including at least three of the following categories: upper case letters, lower case letters, numbers, and special characters.) in order to increase the security of your product. And we recommend you reset your password regularly, especially in the high security system, resetting the password monthly or weekly can better protect your product.*



5.5 Configure System Parameters

In the device list area, select a device and click  **Remote Configuration** or  to enter the remote configuration interface.

Device for Management (3)							
+ Add + Create Cluster ⊞ Modify ✖ Delete ⚙ Remote Configuration 📄 QR Code 🔌 Activate 📄 Device Status							
Device Type	Nickname	Connectio...	Network Parameters	Device Serial No.	Security	Net Status	Refresh
Door Station		TCP/IP		DS-K88403-WIP0120180911AARR526439871CVLU	Weak		
Door Station		TCP/IP		DS-KD8003-IME10120180607AARRC2271335BCV...	Weak		
Indoor Station		TCP/IP		DS-KH8301-WT0120180906WR582157812CLLU	Weak		

Click the **System** button on the remote configuration interface to display the device information: Device Information, General, Time, System Maintenance, User, and so on.

5.5.1 Device Information

Click the **Device Information** button to enter device basic information interface. You can view basic information (the device type, and serial No.), and version information of the device.

Basic Information

Device Type:

Device Serial No.:

Version Information

Version: Vx.x.x build xxxxxx

Hardware Version: xxxxxx

5.5.2 General

Click the **General** button to enter device general parameters settings interface. You can view and edit the device name and device ID.

Device Information

Device Name:

Device No.:

5.5.3 Time

Steps:

1. Click the **Time** button to enter the device time settings interface.

2. Select Time Zone or Enable NTP.

- **Time Zone**

- 1) Select a time zone from the drop-down list menu.
- 2) Click the **Synchronization** button.

- **NTP**

- 1) Check the checkbox of Enable NTP to enable NTP.
- 2) Enter the server address, NTP port, and synchronization interval.

- **DST**

- 1) Check the checkbox of Enable DST to enable DST.
- 2) Enter the start time and end time of DST, and set the DST bias.

3. Click the **Save** button to save and realize the time settings.



NOTE

The default port No. is 123.

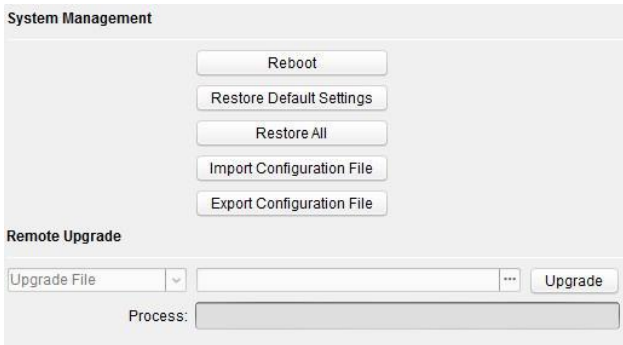
5.5.4 System Maintenance

Purpose:

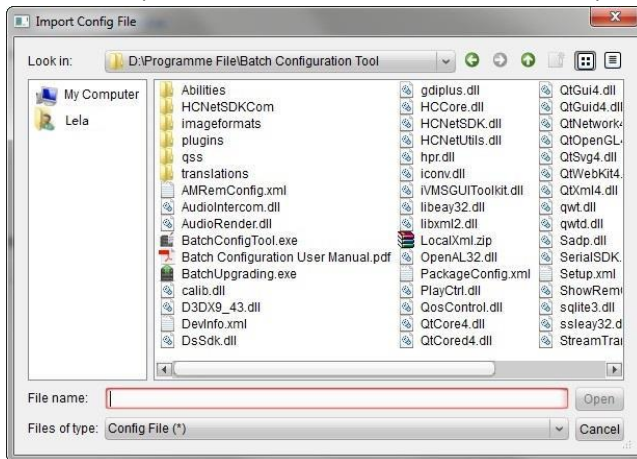
You can operate the system management and remote upgrading on the system maintenance interface.

Steps:

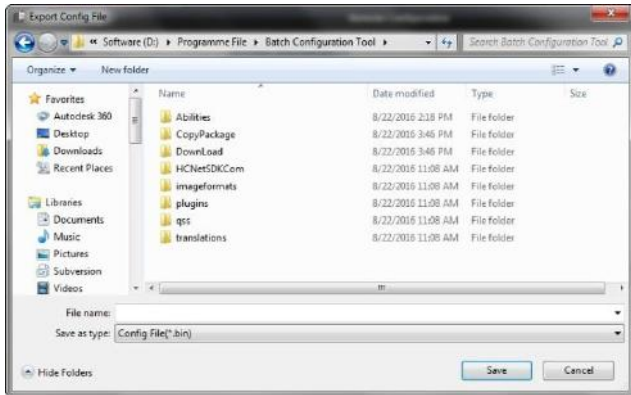
1. Click the **System Maintenance** button to enter the system maintenance interface.




2. Click **Reboot** and the system reboot dialog box pops up. Click **Yes** to reboot the system.
3. Click **Restore Default Settings** to restore the default parameters.
4. Click **Restore All** to restore all parameters of device and reset the device to inactive status.
5. Click **Import Configuration File** and the import file window pops up. Select the path of remote configuration files. Click **Open** to import the remote configuration file. The configuration file is imported and the device will reboot automatically.



6. Click **Export Configuration File** and the export file window pops up. Select the saving path of remote configuration files and click **Save** to export the configuration file.



- Click  to select the upgrade file and click **Upgrade** to remote upgrade the device. The process of remote upgrade will be displayed in the process bar.

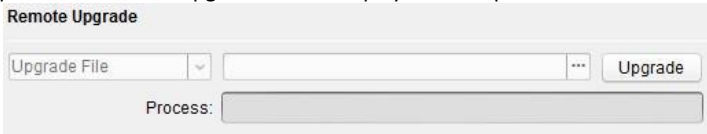


Figure 5-1 Remote Upgrade



NOTE

- Click **Restore Default Settings** button, all default settings, excluding network parameters, will be restored.
- Click **Restore All** button, all default settings, including network parameters, will be restored. The device will be reset to inactivated status.

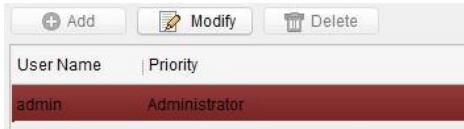
5.5.5 User

Purpose:

You can edit the password for logging in the device.

Steps:

- Click the **User** button to enter the user information editing interface.



- Select the user to edit and click the **Modify** button to enter the user parameter interface.

User Information

User Type: User Name:

Password: Confirm Password:

IP Address: MAC Address:

User Primission

- Local PTZ Control
- Local Manual Recording
- Local Playback
- Local Parameter Settings
- Local Log Search
- Local Advanced Operation
- Local Parameters View
- Local Camera Management
- Local Video Export
- Local Shutdown / Reboot

3. Enter the new password, and confirm it.
4. Click the **Save** button to realize the editing of password.



NOTE

- The new password and confirm password should be identical.
- After editing the password of device, click button from the device list, the added device will not be there. You should add the device again with new password to operate the remote configuration.

5.6 Configure Video Intercom Parameters

Click the **Video Intercom** button on the remote configuration interface to enter the video intercom parameters settings: Device Number Configuration, Time Parameters, Access and Elevator Control, IO Input/Output, Volume, Dial, Sub Module and so on.

5.6.1 Device ID Configuration

Steps:

1. Click the **ID Configuration** button to enter device ID configuration interface.

Device No. Configuration

Device Type: Door Station

Community No.: 1

Building No.: 1

Unit No.: 1

Floor No.: 1

No.: 1

Save

2. Select the device type from the drop-down list, and set the corresponding information.
3. Click the **Save** button to enable the device number configuration.

 **NOTE**

- For main door station, the serial No. is 0.
- For sub door station, the serial No. is higher than 0. Serial No. ranges from 1 to 99.
- For each villa or building, at least one main door station should be configured, and sub door stations can be customized.
- For one main door station, at most 8 sub door stations can be customized.

5.6.2 Time Parameters

1. Click the **Time Parameters** button to enter time parameters settings interface.
2. Configure the maximum ring duration, maximum live view time, and call forwarding time.
3. Click the **Save** button.

Time Parameters

Device Type: Door Station

Max. Speaking Duration: 90 s

Max. Message Duration: 30 s

Save

 **NOTE**

For door station, maximum speaking time and maximum message time should be configured. Maximum speaking time varies from 90s to 120s, and maximum message time varies from 30s to 60s.

5.6.3 Permission Password

1. Click **Permission Password** button to enter the permission password interface.



Configuring the Right and Password Parameters

Permission Password

Password Type: public1

Old Password:

New Password:

Confirm Password:

Save

2. Edit the password accordingly.
3. Click the **Save** button to enable the settings.



NOTE

You can configure 3 public passwords.

You can open the door by entering **【#】** + public password + **【#】** at the door station.

5.6.4 Access Control and Elevator

Click **Access Control and Elevator** to enter corresponding configuration page.

Access Control

Upload Alarm for Not-Closed Door

Door No.:

Door-unlocked Duration: s

Door Name:

Encrypt Card

Elevator Control

Elevator No.:

Elevator Type:

Negative Floor:

Interface Type:

Tip: All elevators should use the same interface type.

Enable Or Not:

Server IP Address:

Server Port:

User Name:

Password:

Access Control

1. Select the door No..
2. Set the door-unlocked duration.
3. (Optional) Enable **Upload Alarm for Not-Closed Door**.
4. Click **Save** to enable the settings.



NOTE

- The door-unlocked duration ranges from 1s to 225s.
- If you check **Upload Alarm for Not-Closed Door**, an alarm will be triggered automatically if the door is not locked in the configured duration.
- Enabling **Card Encrypt**, the door station can recognize the encrypted information of the card when you swiping the card on the door station.

Elevator Control

Before you start

Make sure your door station is in the mode of main door station. Only the main door station support elevator control function.

Connection between the door station and the elevator controller supports network interface.

Step:

1. Select an elevator No., and select an elevator controller type for the elevator.
2. Set the negative floor.
3. Select the interface type: network Interface, enter the elevator controller's IP address, port No., user name, and password.
4. Enable the elevator control.



NOTE

- Up to 4 elevator controllers can be connected to one door station.
- Up to 10 negative floors can be added.
- Make sure the interface types of elevator controllers, which are connected to the same door station, are consistent.

5.6.5 IO Input and Output

Step:

1. Click the **I/O Input and Output** button to enter the I/O input and output interface.

IO Input

IO Input No:

Input:

IO Output

IO Output No:

Output:

2. Select I/O input No., input mode, output No., and output mode.
3. Click the **Save** button to enable the settings.



NOTE

- For door station, there are 4 I/O Input Terminals. By default, Terminal 1 and 2 correspond to **Door Status**. Terminal 3 and 4 correspond to interfaces of **Door Switch**.

- For door station, there are 2 I/O Output Terminals. Terminal 1~2 correspond to **DOOR** interfaces (NO1/COM/NC1; NO2/COM/NC2) of door station. Door 1 is enabled by default. You can enable/disable IO Out according to needs.

5.6.6 Volume Input and Output

Step:

1. Click **Volume Input/Output** button to enter the volume input and output interface.

The screenshot shows a settings window with three sections, each containing a slider and a numerical value:

- Volume Input:** Slider set to 7.
- Volume Output:** Slider set to 7.
- Talk Volume:** Slider set to 7.

A **Save** button is located at the bottom right of the window.

2. Slide the slider to adjust the volume input, volume output, and talk volume.
3. Click the **Save** button to enable the settings.

5.6.7 Dial

Step:

1. Click **Dial** button to enter the dial interface.

The screenshot shows a settings window with the following fields and options:

- Number:** A dropdown menu currently showing '1'.
- Room No.:** An input field containing the text '101'.
- Call Center:** An unselected radio button.
- Call Indoor Station:** A selected radio button (indicated by a red dot).

A **Save** button is located at the bottom of the window.

2. Enter the room No. of the indoor station that the door station connected to.
3. Click the **Save** button to enable the settings.

 **NOTE**

By default, quick press the call button, the door station calls resident. If you check **Quick Press for Calling Center**, the door station calls the management center when quick press the call button of the main unit.

5.6.8 Motion Detection

Step:

1. Click **Motion Detection** button to enter the motion detection interface.

Configuring the Motion Detection

Mode A: Normal Mode Enable Motion Detection

01 10 2011 16:11:38:23

Sensitivity:

Arming Schedule: All-day Temp...

Linkage Method

Notify Surveillance Center

2. Check **Enable Motion Detection** to enable the function.
3. Configure the parameters accordingly.
4. Click the **Save**.

 **NOTE**

The arming schedule is defaulted as all-day.

5.6.9 Intercom Protocol

Step:

1. Click **Intercom Protocol** button to enter the intercom protocol interface.

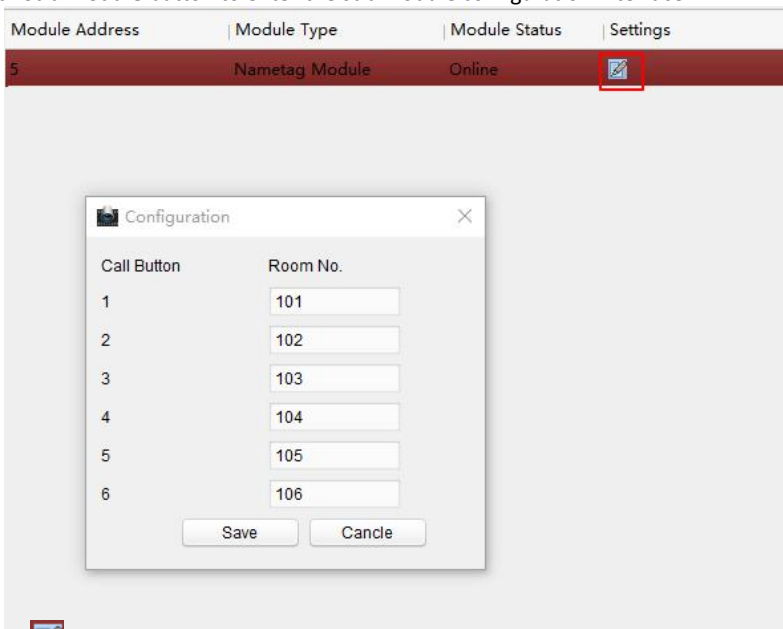


2. Select the protocol according to needs.
Configure the related parameters, if you select SIP Protocol.
3. Click the **Save**.

5.6.10 Sub Module

Step:

1. Click **Sub Module** button to enter the sub module configuration interface.



2. Click to pop up the configuration interface.
3. (Optional) Enter the room no. for each call button of the nametag module.

4. Click the **Save** button to enable the settings.



NOTE

- The module address is used to differentiate the sub modules. See *Configure Sub Module Address* for detailed configuration instructions.
- For the other sub modules (indicator module, keypad module, and card reader module), it prompts **Not supported**.

Configuring Sub Module Information

Module A...	Module Type	Module Status	Settings
5	Indicator Module	Online	
10	Nametag Module	Online	
12	Keypad Module	Online	
13	Card Reader Mo...	Online	

Not supported.

- The room No. for the main unit’s call button is 1 by default; and the room No. for the nametag modules call buttons are 2 to 7 by default.

5.7 Configure Video Intercom Network

You need to configure video intercom network parameters in the network module. Click **Network** in the remote configuration interface, to configure the local network, linked network and FTP settings.

5.7.1 Local Network Configuration

Steps:

1. Click the **Local Network Configuration** button to enter local network configuration interface.

Local Network Configuration

Local IP Address: 10.15.3.218

IP Address Subnet Mask: 255.255.255.0

Default Gateway: 10.15.3.254

Port: 8000

HTTP Port: 80

Save

2. Enter the local IP address, subnet mask, gateway address, Port and HTTP Port.
3. Click the **Save** button to enable the settings.



NOTE

- The default port No. is 8000.
- After editing the local network parameters of device, you should add the devices to the device list again.

5.7.2 Linked Devices Network Configuration

Purpose:

In the linked devices network configuration interface, you can configure the network parameters of master stations, SIP servers and management centers of the same LAN. The devices can be linked to the door station and realize the linkage between these devices.

Steps:

1. Click the **Linked Network Configuration** button to enter linked network configuration interface.

Linked Network Configuration

Device Type: Door Station

Master Station IP Address: 0.0.0.0

(Main) Door Station IP Address: 0.0.0.0

SIP Server IP Address: 0.0.0.0

Security Control Panel IP Address: 0.0.0.0

Security Control Panel Port No.: 0

Save

2. Enter the master station IP address, (main) door station IP address, SIP server IP address, management center IP address, and Port No..
3. Select the main door station type from the drop-down list.
4. Click the **Save** button to enable the settings.

**NOTE**

- After adding master station IP Address, the linkage between indoor station and master station can be realized.
- After adding the door station IP Address, the video intercom between indoor stations of same building can be realized.
- After adding SIP Server Address IP, the video intercom of same community: video intercom between indoor stations of different building, calling indoor station from outer door station and video intercom between management center and indoors.
- After adding management center IP Address, the events can be uploaded to the management center.
- For indoor extension, only parameter about the main indoor station should be configured.

5.7.3 FTP

After configuring the FTP parameters, the captured pictures of door station will be uploaded to the FTP server automatically.

Steps:

1. Click the **FTP** button to enter the FTP parameters interface.

Enable Main FTP

Server Type: IP Address

FTP Server: 0.0.0.0

Port: 21

Enable Anonymous:

User Name:

Password:

Directory: Save in the Child Dire...

Parent Directory: Community No.-Buildi...

Child Directory: Enable Time

Picture Naming Rule

Separator: _

Name: Item 1

Named Element: Device Time

Save

2. Check the checkbox of **Enable Main FTP**.

3. Select IP address from the drop-down list of server mode.
4. Enter the FTP server address, and port No..
5. Check the checkbox to enable the anonymity (optional).
6. Enter the name and password.
7. Select the directory structure and set the separator, naming item, and naming element.
8. Click the **Save** button to enable the FTP parameters settings.

**NOTE**

- The default port No. is 21.
- To enable anonymity or not is according to whether the FTP server enables anonymity.

5.7.4 Advanced Settings

Steps:

1. Click the **Advanced Settings** button to enter the advanced network settings interface.

Configuring the Advanced Network Settings

DNS Server Address 1:

DNS Server Address 2:

2. Enter the DNS server addresses.
3. Click the **Save** button to enable the advanced network settings.

5.8 Person and Card Management

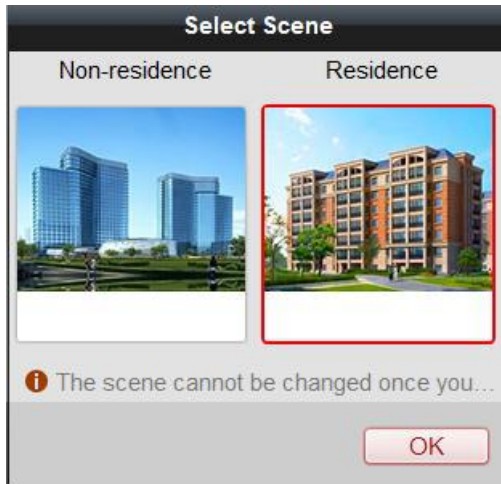
Purpose:

You can add, edit, and delete the organization and person in Person and Card Management module. Organization and person management is necessary for the video intercom function.

Before you start:

For the first time opening the Access Control module, the following dialog will pop up and you are required to select the scene according to the actual needs.

You can select the scene as **Non-residence** and **Residence**.

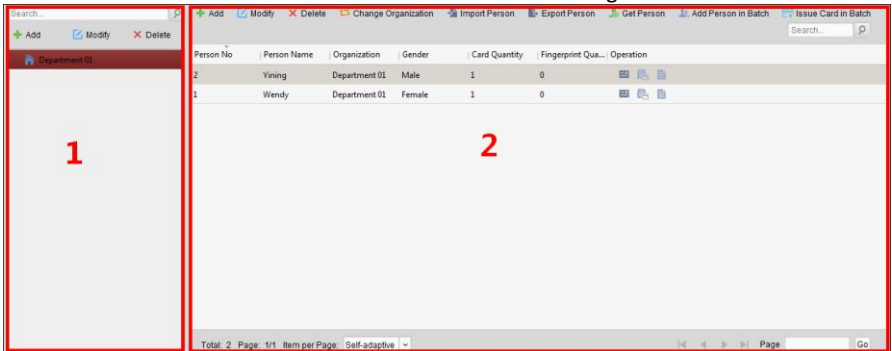


NOTE

Once the scene is configured, you cannot change it later.



Click -> tab to enter the Person and Card Management interface.



The interface is divided into two parts: Organization Management and Person Management.

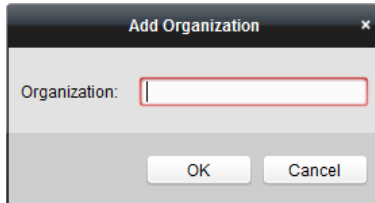
1	Organization Management	You can add, edit, or delete the organization as desired.
2	Person Management	After adding the organization, you can add the person to the organization and issue card to persons for further management.

5.8.1 Organization Management

Add Organization

Steps:

1. In the organization list on the left, you should add a top organization as the parent organization of all organizations.
Click **Add** button to pop up the adding organization interface.



2. Input the Organization Name as desired.
3. Click **OK** to save the adding.
4. You can add multiple levels of organizations according to the actual needs.
To add sub organizations, select the parent organization and click **Add**.
Repeat *Step 2* and *3* to add the sub organization.
Then the added organization will be the sub-organization of the upper-level organization.



NOTE

Up to 10 levels of organizations can be created.

Modify and Delete Organization

You can select the added organization and click **Modify** to modify its name.

You can select an organization, and click **Delete** button to delete it.



NOTE

- The lower-level organizations will be deleted as well if you delete an organization.
- Make sure there is no person added under the organization, or the organization cannot be deleted.

5.8.2 Person Management

After adding the organization, you can add person to the organization and manage the added person such as issuing cards in batch, importing and exporting person's information in batch, etc.



NOTE

Up to 10,000 persons or cards can be added.

Add Person

Person information is necessary for the video intercom system. And when you set linked device for the person, the intercom between intercom devices can be realized.

Steps:

1. Select an organization in the organization list and click **Add** on the Person panel to pop up the adding person dialog.



NOTE

The Person No. will be generated automatically and is not editable.

2. Set basic person information.
 - 1) Enter basic information: person name, gender, phone No., birthday details,

and email address.

- 2) (Optional) Click **Upload Picture** to select the person picture from the local PC to upload it to the client.



NOTE

The picture should be in *.jpg format.

- 3) (Optional) You can also click **Take Photo** to take the person's photo with the PC camera.
3. Set linked device for the person.
 - 1) Click **Details**.

- 2) Set the linked devices

- **Linked Device:** You can bind the indoor station to the person.

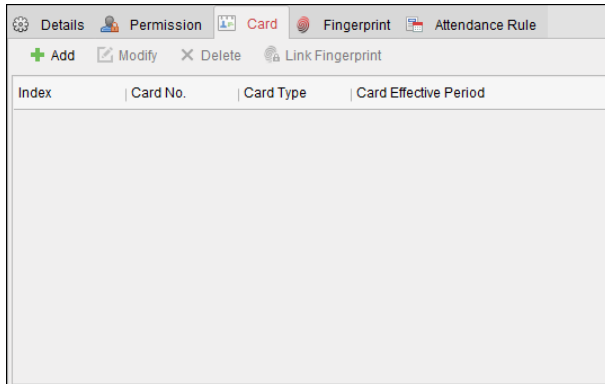


NOTE

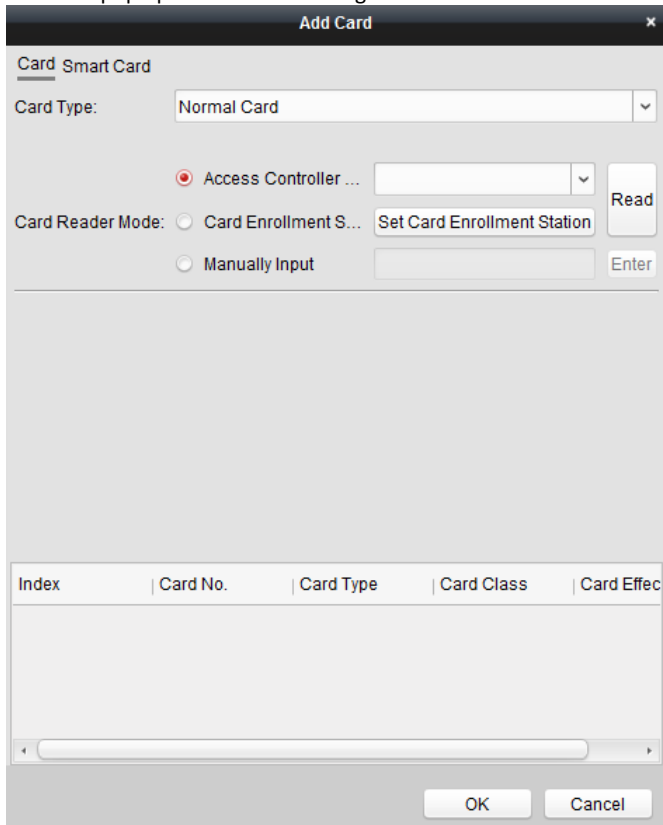
If you select **Analog Indoor Station** in the Linked Device, the **Door Station** field will display and you are required to select the door station to communicate with the analog indoor station.

- **Room No.:** You can enter the room No. of the person.
- **Floor No.:** You have to set the floor No. for calling the elevator via swiping card.

- 3) Click **OK** to save the settings.
4. Issue the card for the person.
 - 1) Click **Card**.



- 2) Click **Add** to pop up the Add Card dialog.



- 3) Select **Normal Card**.

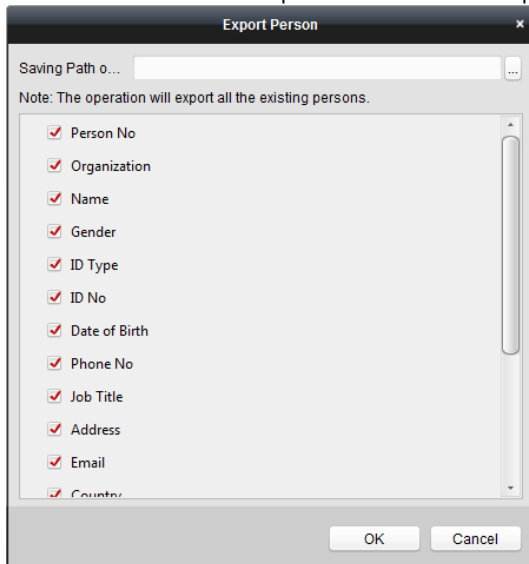
- 4) Select the card reader mode, and fill related information.
- 5) Click **OK** and the card(s) will be issued to the person.

Import and Export Person Information

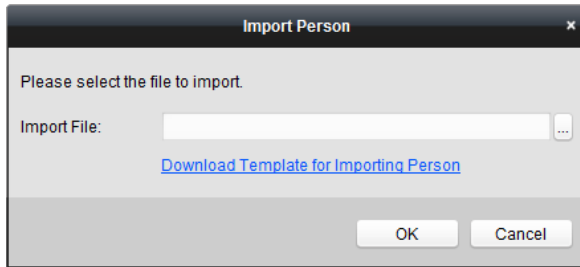
The person information can be imported and exported in batch.


Steps:

1. **Exporting Person:** You can export the added persons' information in Excel format to the local PC.
 - 1) After adding the person, you can click **Export Person** button to pop up the following dialog.
 - 2) Click to select the path of saving the exported Excel file.
 - 3) Check the checkboxes to select the person information to export.



- 4) Click **OK** to start exporting.
2. **Importing Person:** You can import the Excel file with persons information in batch from the local PC
 - 1) click **Import Person** button.



- 2) You can click **Download Template for Importing Person** to download the template first.
- 3) Input the person information to the downloaded template.
- 4) Click  to select the Excel file with person information.
- 5) Click **OK** to start importing.

Get Person Information from Device

If the added device has been configured with person information (including person details, fingerprint, issued card information), you can get the person information from the device and import to the client for further operation.

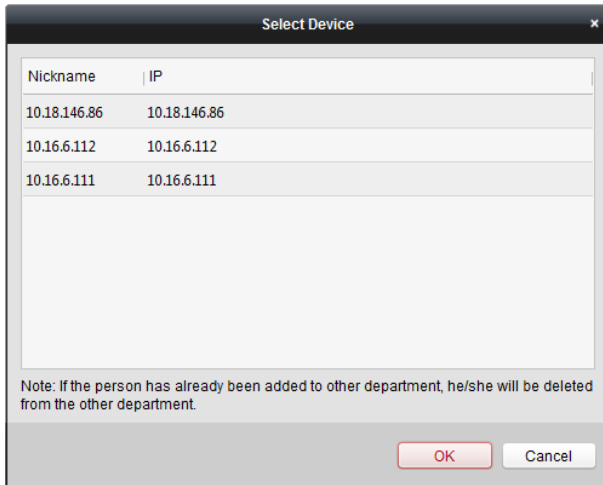


NOTE

This function is only supported by the device the connection method of which is TCP/IP when adding the device.

Steps:

1. In the organization list on the left, click to select an organization to import the persons.
2. Click **Get Person** to pop up the following dialog box.



3. The added access control device will be displayed.
4. Click to select the device and then click **OK** to start getting the person information from the device.



You can also double click the device name to start getting the person information.




NOTE

- The person information, including person details, person’s fingerprint information (if configured), and the linked card (if configured), will be imported to the selected organization.
- If the person name stored in the device is empty, the person name will be filled with the issued card No. after importing to the client.
- The gender of the persons will be **Male** by default.

Modify and Delete Person

To modify the person information and attendance rule, click  or  in the Operation column, or select the person and click **Modify** to open the editing person dialog.

You can click  to view the person’s card swiping records.

To delete the person, select a person and click **Delete** to delete it.



NOTE

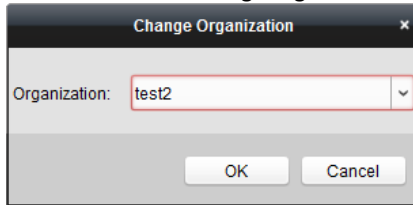
If a card is issued to the current person, the linkage will be invalid after the person is deleted.

Change Person to Other Organization

You can move the person to another organization if needed.

Steps:

1. Select the person in the list and click **Change Organization** button.



2. Select the organization to move the person to.
3. Click **OK** to save the settings.

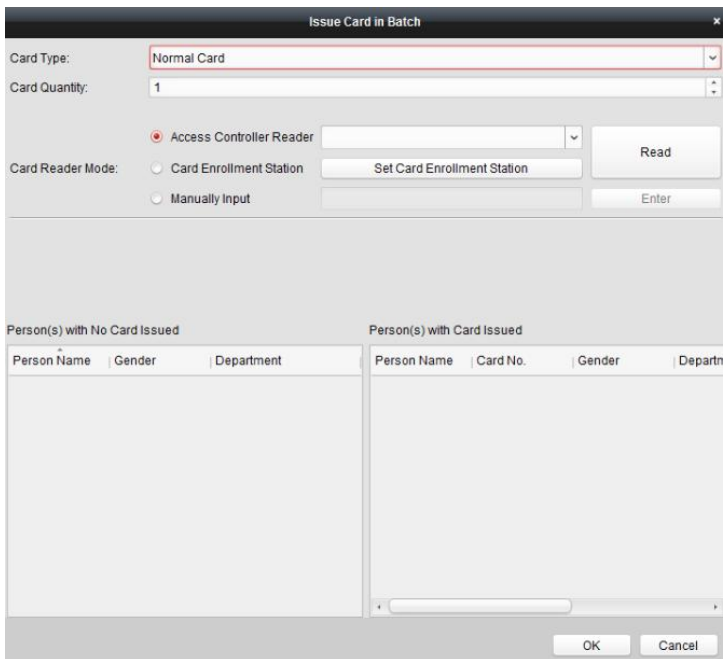
Issue Card in Batch

You can issue multiple cards for the person with no card issued in batch.

Steps:

1. Click **Issue Card in Batch** to enter the following dialog.

All the added person with no card issued will display in the Person(s) with No Card Issued list.



2. Select **Normal Card**.
3. Enter the card quantity issued for each person.

For example, if the Card Quantity is 3, you can read or enter three card No. for each person.

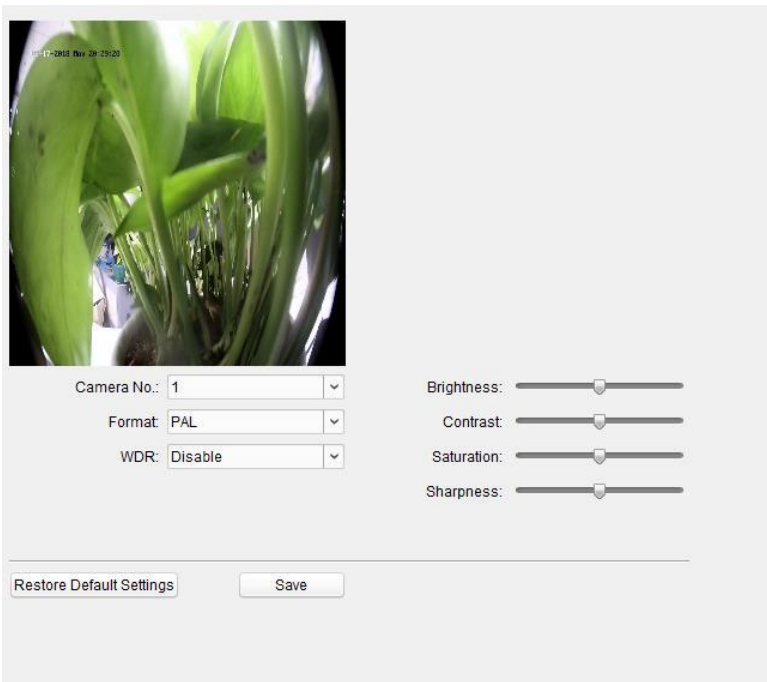
4. Select the card reader mode and fill related information. Click **Read/Enter**.
5. After issuing the card to the person, the person and card information will display in the Person(s) with Card Issued list.
6. Click **OK** to save the settings.

5.9 Video Display

5.9.1 Video Parameters

Steps:

1. Click the **Video Parameters** button to enter the video parameters interface.



2. Select the camera No..
3. Select the video standard (PAL and NTSC can be selected).
4. Set WDR mode (Disable or Enable).
5. Set the brightness, contrast, saturation and sharpness of the video.
6. Click the **Save** button to enable the settings.



Click the **Restore Default Settings** button to restore all video parameters excluding network parameters to the factory settings.

5.9.2 Video & Audio

Steps:

1. Click the **Video & Audio** button to enter the video parameters settings interface.

Video

Stream Type: Main Stream	Video Type: Video & Audio
Bitrate Type: Variable	Max Bitrate: 2048 Kbps
Video Quality: Medium	Resolution: HD720P(1280*720)
Frame Type: P	Frame Rate: 25fps
I Frame Interval: 50	Audio Encoding Type: G711_U
Video Encoding Type: STD_H264	Video Encoding Co...: Lowest

File Size Per Day: 21.0G

Copy to... Save

2. Set the parameters accordingly.
3. Click the **Save** button to enable the settings.



It's suggested to keep the default settings to ensure the video/image quality.

5.10 BLC Mode

You can set the BLC mode according to needs.

Steps:

1. Click the **Back Light Compensation** button to enter the back light compensation settings interface.



The screenshot shows a configuration window titled "Back Light Compensation". It contains two dropdown menus: "Camera:" with "Camera1" selected, and "BLC Mode:" with "Off" selected. Below these is a "Save" button.

2. Set the BLC mode.
3. Click **Save**.

6 Video Intercom Operation

6.1 Video Intercom Operation via Device

6.1.1 Call Resident

You can call corresponding resident in two ways:

1. Press the call button on the main unit or on the nametag unit.
2. Enter the Room No. on the keypad module, and press # key to start calling.
(Press * to hang up.)



NOTE

Make sure you have configured the room No. for the device.

6.1.2 Issue Card

You cannot open door by swiping the card until you have issue the card.

You can issue the card both locally or remotely. See 5.8.2 *Person Management* for issuing card via 4200.

Issue Card via Main Card: You can swipe card to issue it after swiping the main card in advance.

Steps:

1. Swipe the main card on the card reading area, and hear two beeps.
2. Swipe the unauthorized sub cards in turn after hearing a beep.
3. Swipe the main card again to end the card issuing process.



NOTE

- DS-KD-M supports Mifare card, DS-KD-E supports EM card.
- If the amount of sub cards exceeds 2500, no more sub card can be issued.

6.1.3 Unlock Door

Unlock Door by Password

You can unlock the door by inputting the password via the keypad module.

Three formats of password are supported. They are:

1. [#] + Public Password + [#]
2. [#] + Room No. + Password + [#]
3. [#] + Room No. + Duress Password + [#]



NOTE

- Password contains 6 digits.
- You're allowed to set 3 public passwords via iVMS-4200.
- The password varies according to different rooms.

Unlock Door by Card

Before you start:

Make sure the card has been issued. You can issue the card via the door station, or via iVMS-4200 client software.

Steps:

Swipe the card on the card induction area to unlock the door.



The main card does not support unlocking the door.

6.2 Video Intercom Operation via iVMS-4200

Purpose:



The Video Intercom Management module provides the function of video intercom, checking call logs and managing notice via the iVMS-4200 client software.



For the user with access control module permissions, the user can enter the Access Control module and manage video intercom and search information.

Before you start:

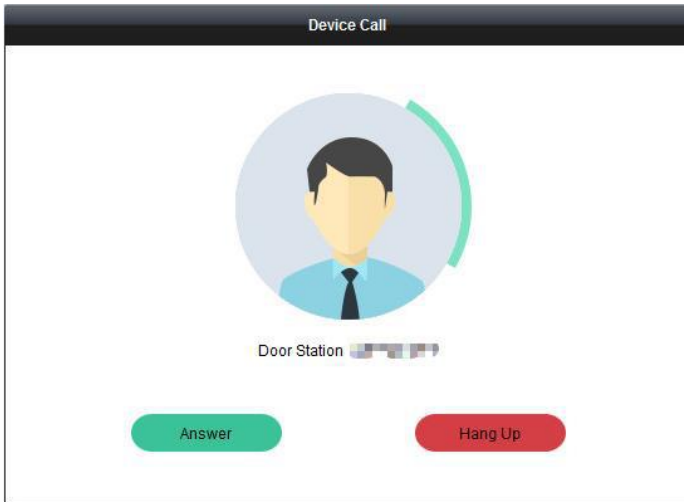
Before you can remote control the video intercom, you should add the device to the software and configure the person to link the device in the Access Control module.

Click  ->  tab on the left icon bar to enter the Video Intercom interface.

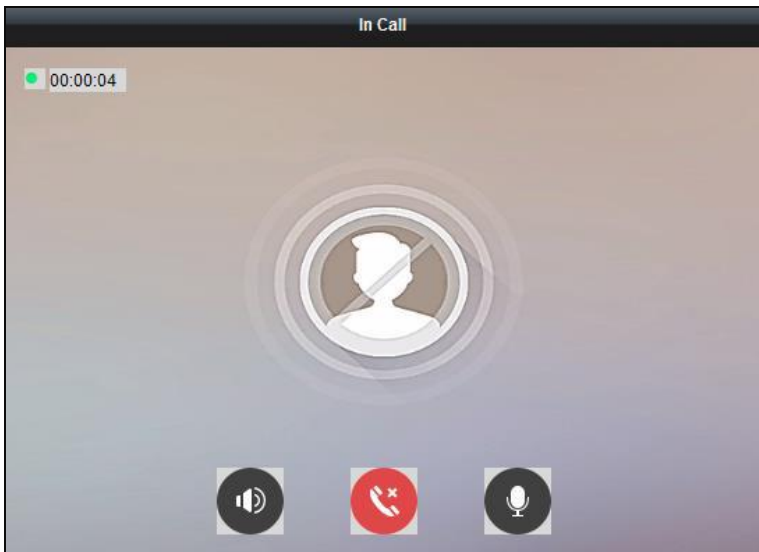
6.2.1 Receive Call from Door Station


Steps:

1. Select the client software in door station interface to start calling the iVMS-4200 and an incoming call dialog will pop up in the client software.




2. Click **Answer** to answer the call.
Or click **Hang Up** to decline the call.
3. After you answer the call, you will enter the In Call window.



Click  to adjust the volume of the loudspeaker.

Click  to hang up.

Click  to adjust the volume of the microphone.

For door station, you can click  to open the door remotely.



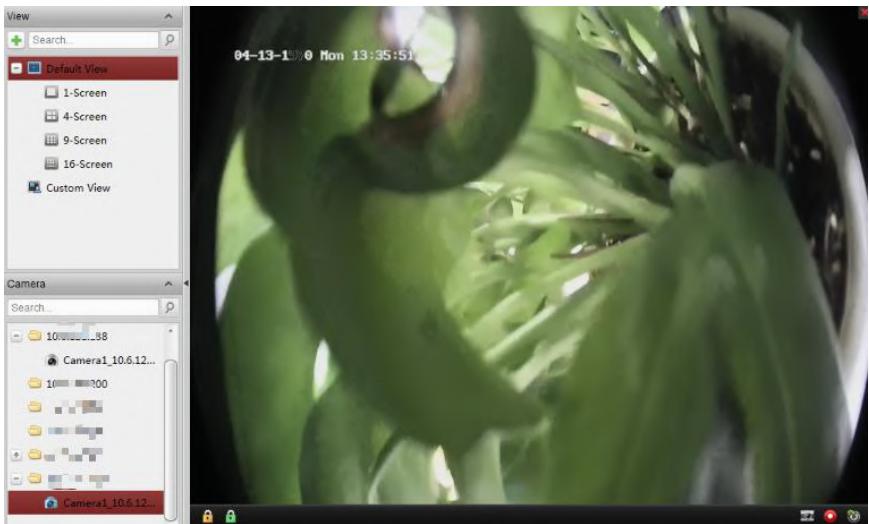
NOTE

- One video intercom device can only connect with one client software.
- The maximum ring duration can be set from 15s to 60s via the Remote Configuration of the video intercom device.
- The maximum speaking duration between indoor station and iVMS-4200 can be set from 120s to 600s via the Remote Configuration of indoor station.
- The maximum speaking duration between door station and iVMS-4200 can be set from 90s to 120s via the Remote Configuration of door station.

6.2.2 View Live Video of Door Station

You can get the live view of the main unit in the **Main View** module and control the door station remotely.

In the Main View module, double-click a door station or drag the device to a display window to start the live view.



Right click on the live view interface, click the unlock icon to remote unlock the door.

6.2.3 View Call Logs

Purpose:

You can check all the call logs, including dialed call logs, received call logs and missed call logs. You can also directly dial via the log list and clear the logs.

Steps:

1. In the Video Intercom page, click the **Call Log** tab to enter the Call Log page.
All the call logs will display on this page and you can check the log information, e.g., call status, start time, resident's organization and name, device name and ring or speaking duration.

Call Status	Start Time	Organization	Device Name	Time Length	Operation
	2018-09-20 20:24:32		10.6.121.159	Ring Duration: 22 S	
	2018-09-13 17:28:30		10.6.121.159	Speaking Duration: 4 S	
	2018-09-13 17:27:40		10.6.121.159	Speaking Duration: 11 S	
	2018-09-05 20:40:40		10.6.121.138	Speaking Duration: 29 S	
	2018-08-18 15:56:18			Ring Duration: 2 S	
	2018-08-17 17:25:37			Speaking Duration: 5 S	
	2018-08-17 17:25:19			Ring Duration: 2 S	
	2018-08-17 15:53:41			Speaking Duration: 90 S	
	2018-08-16 22:44:00			Speaking Duration: 6 S	
	2018-08-16 22:43:40			Speaking Duration: 3 S	
	2018-08-16 22:43:00			Speaking Duration: 2 S	

2. (Optional) Click the icon in the Operation column to re-dial the resident.
3. (Optional) Click the icon in the Operation column to delete the call log.
Or you can click **Clear** at the upper right corner to clear all the logs.

6.2.4 Search Video Intercom Information

Purpose:

You can search the call logs between the iVMS-4200 client software and video intercom devices, device unlocking logs and the security notice information.

In the Access Control module, click icon tab to open the Search page.

Search Call Logs

Steps:

1. In the Information Search page, click the **Call Log** to enter the Call Log interface.

Access Control Event **Call Log** Unlocking Log Notice


Call Status: All Device Type: All Devices Search

Start Time: 2017-01-18 00:00:00 End Time: 2017-01-18 23:59:59 Reset

Search Export

Call Status	Start Time	Time Length	Device Type	Device Name	Organization
Received	2017-01-18 20:13:32	Speaking Durati...	Door Station	10:16:6.85	

Total: 1 Page: 1/1 Item per Page: Self-adaptive Page Go

2. Set the search conditions, including call status, device type, start time and end time.
 - **Call Status:** Click to unfold the drop-down list and select the call status as **Dialed**, **Received** or **Missed**. Or select **All** to search logs with all statuses.
 - **Device Type:** Click to unfold the drop-down list and select the device type as **Indoor Station**, **Door Station**, **Outer Door Station** or **Analog Indoor Station**. Or select **All Devices** to search logs with all device types.
 - **Start Time/End Time:** Click  to specify the start time and end time of a time period to search the logs.
(Optional) You can click **Reset** to reset all the configured search conditions.
3. Click **Search** and all the matched call logs will display on this page.

For the search results,

 - (Optional) Check the detailed information of searched call logs, such as call status, ring/speaking duration, device name, resident organization, etc.
 - (Optional) Input keywords in the Search field to filter the desired log.
 - (Optional) Click **Export** to export the call logs to your PC.

Search Unlocking Logs

Steps:

1. In the Information Search page, click **Unlocking Log** tab to enter the Unlocking Log interface.

2. Set the search conditions, including unlocking type, device type, start time and end time.
 - **Unlocking Type:** Click to unfold the drop-down list and select the unlocking type as **Unlock by Password**, **Unlock by Duress**, **Unlock by Card**, **Unlock by Resident** or **Unlock by Center**. Or select **All** to search logs with all unlocking types.
 - **Device Type:** Click to unfold the drop-down list and select the device type as **Door Station** or **Door Station (V Series)**. Or select **All Devices** to search logs with all device types.
 - **Start Time/End Time:** Click to specify the start time and end time of a time period to search the logs.

3. (Optional) You can click **Reset** to reset all the configured search conditions.

4. Click **Search** and all the matched unlocking logs will display on this page.

For the searching results,

- (Optional) Check the detailed information of searched unlocking logs, such as unlocked time, card No., device No., etc.
- (Optional) Input keywords in the Search field to filter the searching result.
- (Optional) Click in the Capture column to view the captured pictures.



NOTE

Viewing captured picture should be supported by device.

- (Optional) Click **Export** to export the unlocking logs to your PC.



See Far, Go Further